

4

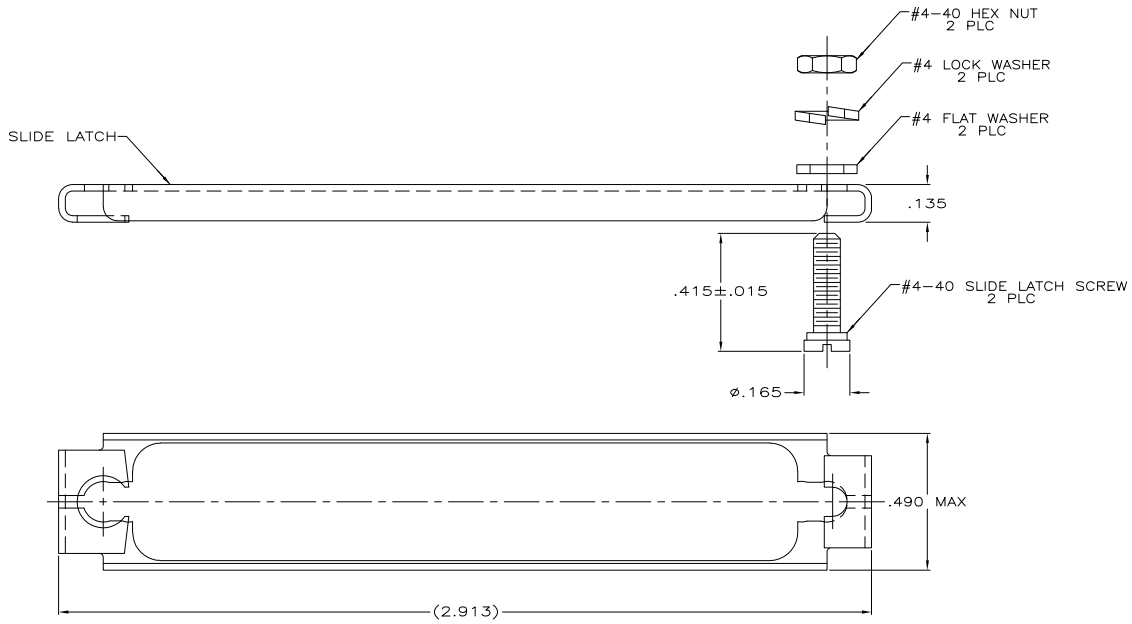
3

2

1

THIS DRAWING IS UNPUBLISHED. RELEASED FOR PUBLICATION
 © COPYRIGHT BY TYCO ELECTRONICS CORPORATION. ALL RIGHTS RESERVED.

LOC	DIST	REVISIONS					
GP	00	P	LTR	DESCRIPTION	DATE	MIN	APD
		0		RELEASED PER EC 0513-0207-05	29 JUN05	SW	JG



1. PARTS PACKAGED UNASSEMBLED.
2. PARTS PACKAGED AS A UNIT KIT.
3. THIS KIT CAN BE USED WITH CABLE CLAMP BODIES THAT DO NOT EXTEND BEYOND THE FRONT FLANGE OF THE CONNECTOR OR ON CONNECTORS WITHOUT CABLE CLAMPS.

⚠ ZINC PLATED .000200-.000400 THICK, YELLOW CHROMATE COATING.

5745407-1
PART NO

THIS DRAWING IS A CONTROLLED DOCUMENT.		DRW: S. WATMAN 28JUN05	Tyco Electronics Corporation Harrisburg, Pa 17105-3608	RESTRICTED TO	
DIMENSIONS: INCHES		CHK: C. ROHDE 28JUN05		SIZE	CAGE CODE
DIMENSIONS: INCHES 0 PLC ± .010 1 PLC ± .010 2 PLC ± .010 3 PLC ± .005 4 PLC ± .010 ANGLES ± .5°		APP: M. WALSLEY 28JUN05	A2	00779	C-5745407
MATERIAL: SLIDE LATCH: STAINLESS STEEL HARDWARE: STEEL		FINISH: ⚠	CUSTOMER DRAWING	SCALE: 4:1	SHEET 1 OF 1

AMP 1471-9 REV 31MM2000

5745407

A