

4

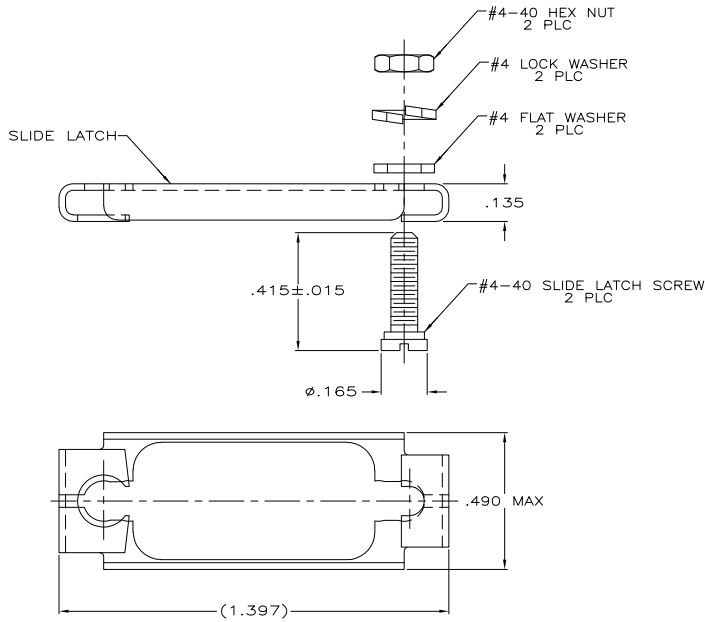
3

2

1

THIS DRAWING IS UNPUBLISHED. RELEASED FOR PUBLICATION
 © COPYRIGHT BY TYCO ELECTRONICS CORPORATION. ALL RIGHTS RESERVED.

LOC	DIST	REVISIONS					
GP	00	P	LTR	DESCRIPTION	DATE	MIN	APD
		0		RELEASED PER EC 0513-0207-05	29 JUN 05	SW	JG



1. PARTS PACKAGED UNASSEMBLED.
 2. PARTS PACKAGED AS A UNIT KIT.
 3. THIS KIT CAN BE USED WITH CABLE CLAMP BODIES THAT DO NOT EXTEND BEYOND THE FRONT FLANGE OF THE CONNECTOR OR ON CONNECTORS WITHOUT CABLE CLAMPS.
- ⚠ ZINC PLATED .000200-.000400 THICK, YELLOW CHROMATE COATING.

5745404-1
 PART NO

THIS DRAWING IS A CONTROLLED DOCUMENT.		DR: S. SWITMAN 29JUN05	Tyco Electronics Corporation Harrisburg, Pa 17105-3608
DIMENSIONS: INCHES		CHK: C. ROHDE 29JUN05	
DIMENSIONS: INCHES 0 PLC ± .005 1 PLC ± .005 2 PLC ± .005 3 PLC ± .005 4 PLC ± .005 ANGLES ± .5°		APP: M. WALMSLEY 29JUN05	KIT, SLIDE LATCH, SIZE 1, 9 POSITION, AMPLIMITE
MATERIAL: SLIDE LATCH: STAINLESS STEEL HARDWARE: STEEL PER ASTM A108		APPLICATION SPEC: —	RESTRICTED TO: —
FINISH: —		SIZE: A2	CAGE CODE: 00779
HARDWARE: ⚠		DRAWING NO: C-5745404	SCALE: 4:1
		CUSTOMER DRAWING	SHEET 1 OF 1

AMP 1471-9 REV 31MM2000

5745404

A