

4

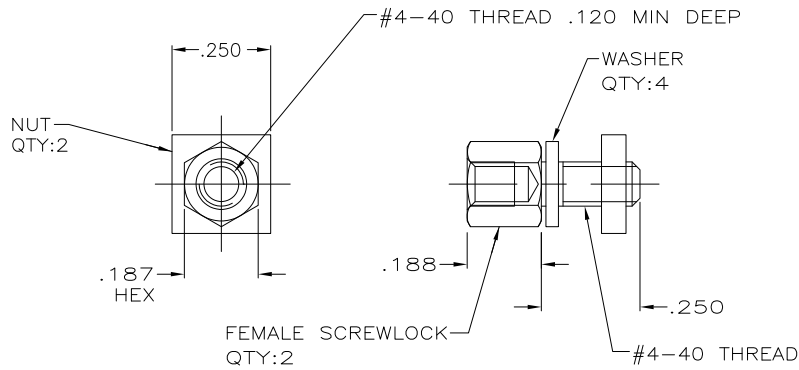
3

2

1

THIS DRAWING IS UNPUBLISHED. RELEASED FOR PUBLICATION  
 © COPYRIGHT - By - ALL RIGHTS RESERVED.

LOC		DIST		REVISIONS			
P	LTR	DESCRIPTION	DATE	DWN	APVD		
P		REVISED PER ECO-11-004835	11MAR11	RK	HMR		



- ① ZINC PLATED .000200-.000400 THICK, YELLOW CHROMATE COATING.
- ② ZINC PLATED .000200-.000400 THICK, CLEAR CHROMATE COATING.
- 3. PARTS PACKAGED UNASSEMBLED.
- 4. PARTS PACKAGED AS A UNIT KIT.

②	5207952-3
①	5207952-1
FINISH	PART NUMBER

THIS DRAWING IS A CONTROLLED DOCUMENT.		DWN	S.WAITMAN	28JUN05	<b>STE</b> TE Connectivity		
DIMENSIONS: INCHES		CHK	C.ROHDE	28JUN05			
TOLERANCES UNLESS OTHERWISE SPECIFIED:		APVD	M.WALMSLEY	28JUN05	NAME		
0 PLC ± -		PRODUCT SPEC		SCREWLOCK KIT, FEMALE, SHORT, AMPLIMITE			
1 PLC ± -		APPLICATION SPEC		-			
2 PLC ± -		SIZE	A3	CAGE CODE	00779	DRAWING NO	C-5207952
3 PLC ± .005		WEIGHT	-	RESTRICTED TO		-	
4 PLC ± -		CUSTOMER DRAWING		SCALE	4:1	SHEET	1 of 1
ANGLES ± -		MATERIAL		REV	P		
FINISH		STEEL					
SEE TABLE							