

4

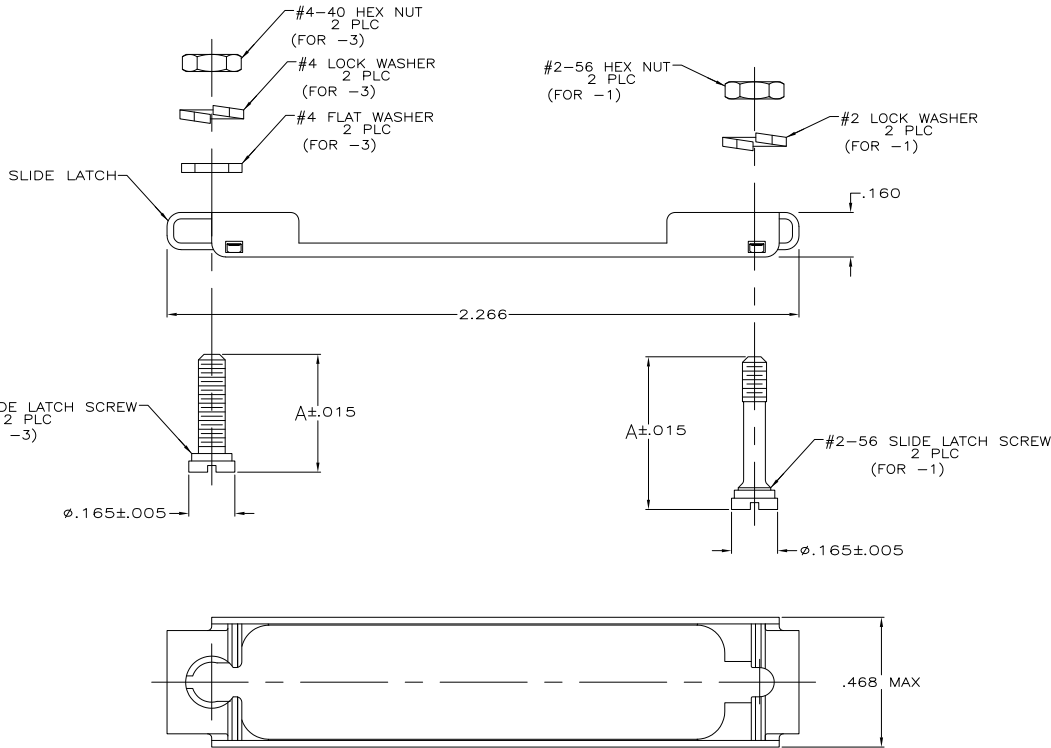
3

2

1

THIS DRAWING IS UNPUBLISHED. RELEASED FOR PUBLICATION. ALL RIGHTS RESERVED.

LOC	DIST	REVISIONS		
BD	0	P	LTR	DATE
		P	REVISED PER ECO-11-004835	11MAR11
				RK HMR



- 1. PARTS PACKAGED UNASSEMBLED.
- 2. PARTS PACKAGED AS A UNIT KIT.
- ⚠ ZINC PLATED .000200-.000400 THICK, CLEAR CHROMATE COATING.
- ⚠ ZINC PLATED .000200-.000400 THICK, YELLOW CHROMATE COATING.
- ⚠ THIS KIT CAN BE USED WITH TWO-PIECE STRAIGHT/90° EXIT CABLE CLAMPS, RFI/EMI CABLE CLAMPS OR UNIVERSAL CABLE CLAMPS.
- ⚠ THIS KIT CAN BE USED WITH STRAIGHT/45° EXIT ONE-PIECE CABLE CLAMPS, STRAIGHT/90° EXIT ONE-PIECE CABLE CLAMPS, OR ON CONNECTORS WITHOUT CABLE CLAMPS.

.415	⚠	#4-40	⚠	5745584-3
.547	⚠	#2-56	⚠	5745584-1
A		HARDWARE FINISH	THREAD TYPE	PART NO

THIS DRAWING IS A CONTROLLED DOCUMENT.		DR: S. SWITMAN	30 JUN 05	TE Connectivity	
DIMENSIONS: INCHES		CHK: J. GERACE	30 JUN 05	TE	
OTHER DIMENSIONS: OTHER THAN AS SHOWN		APP: M. WALMSLEY	30 JUN 05	KIT, SLIDE LATCH, SIZE 3, 25 POSITION, AMPLIMITE	
MATERIAL: SLIDE LATCH: STAINLESS STEEL HARDWARE: STEEL		FINISH:	APPLICATION SPEC:	SIZE: A2	CAGE CODE: 00779
HARDWARE: SEE TABLE		HEIGHT:	DRAWING NO: C-5745584	RESTRICTED TO:	
CUSTOMER DRAWING		SCALE: 4:1	SHEET: 1 of 1	REV: P	

1471-9 (3/11)

5745584

A