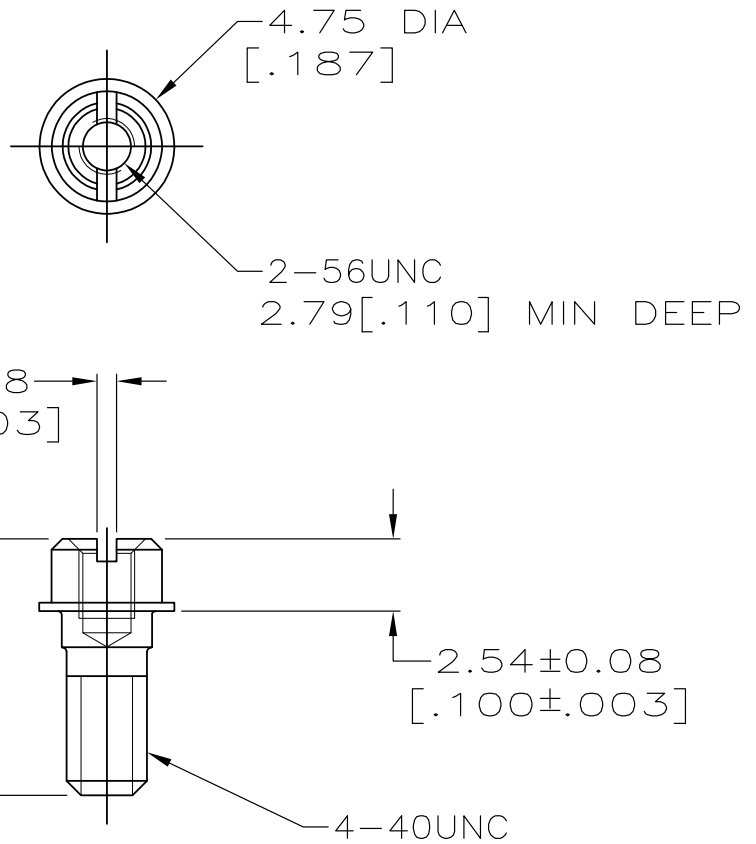


LOC	DIST	REVISIONS					
GP	00	P	LTR	DESCRIPTION	DATE	DWN	APVD
			D3	REVISED PER ECO-11-004835	11MAR11	RK	HMR

1 OBSOLETE PARTS: OBSOLETE CIS STREAMLINING PER D.RENAUD/D.SINISI



THIS DRAWING IS UNPUBLISHED. RELEASED FOR PUBLICATION. ALL RIGHTS RESERVED. © COPYRIGHT - By -

OBSOLETE	-	-	-750644-3	1
OBSOLETE	BULK	1000	750644-2	
	INDIVIDUALLY	2	750644-1	
	PACKAGING TYPE	QTY	PART NO	

DIMENSIONS: INCHES	DWN	J McCLINTON	12-13-90	MATERIAL	STAINLESS STEEL	FINISH	-
	CHK	R.STONE	1-14-91	TE Connectivity			
TOLERANCES UNLESS OTHERWISE SPECIFIED:	APVD	-	-				
0 PLC ± -	PRODUCT SPEC	-	-	SCREWLOCK KIT, FEMALE, UNASSEMBLED, AMPLIMATE™ .050 SERIES			
1 PLC ± -	APPLICATION SPEC	-	-	SIZE	A4	CAGE CODE	00779
2 PLC ± 0.13[.005]	WEIGHT	-	-	DRAWING NO	C=750644		RESTRICTED TO
3 PLC ± -							
4 PLC ± -							
ANGLES ± -							
				CUSTOMER DRAWING			
				SCALE	4:1	SHEET	1 OF 1
						REV	D3