

4

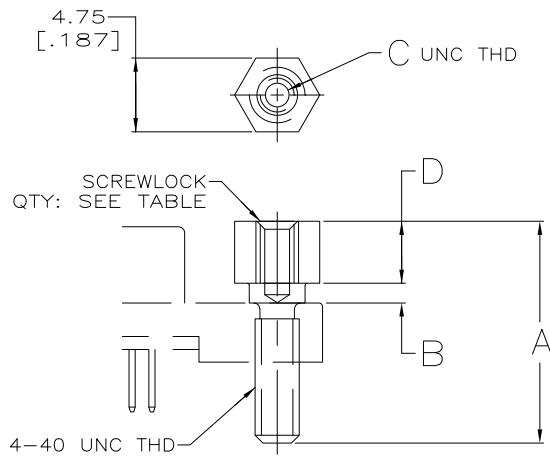
3

2

1

THIS DRAWING IS UNPUBLISHED. RELEASED FOR PUBLICATION. ALL RIGHTS RESERVED.

LOC	DIST	REVISIONS					
GP	00	P	LTR	DESCRIPTION	DATE	DWN	APVD
		M3		REVISED PER ECO-11-004835	11MAR11	RK	HMR



1 OBSOLETE PARTS: OBSOLETE CIS STREAMLINING PER D.RENAUD/D.SINISI

1	OBSOLETE	1000	4.19 [±.165]	2-56	1.07 [±.042]	14.27 [±.562]	749087-8
	OBSOLETE	1000	3.99 [±.157]	2-56	1.27 [±.050]	14.27 [±.562]	749087-7
	OBSOLETE	2	3.71±0.05 [±.146±.002]	2-56	1.27 [±.050]	13.92 [±.548]	749087-6
	OBSOLETE	1000	3.99 [±.157]	4-40	1.27 [±.050]	18.29 [±.720]	749087-5
		2	4.19 [±.165]	2-56	1.07 [±.042]	14.27 [±.562]	749087-4
		1000	3.99 [±.157]	2-56	1.27 [±.050]	9.65 [±.380]	749087-3
		2	3.99 [±.157]	2-56	1.27 [±.050]	9.65 [±.380]	749087-2
		2	3.99 [±.157]	2-56	1.27 [±.050]	14.27 [±.562]	749087-1
SCREWLOCKS PER BAG			D	C	B	A	PART NUMBER

THIS DRAWING IS A CONTROLLED DOCUMENT.

DWN	D.GELTZ	11/24/93
CHK	R.STONE	02/25/94
APVD		
NAME	TE Connectivity	
PRODUCT SPEC	SCREWLOCK KIT, FEMALE, AMPLIMITE, .050 SERIES	
APPLICATION SPEC	SIZE	CAGE CODE
	A3	00779
WEIGHT	DRAWING NO	RESTRICTED TO
	C=749087	
CUSTOMER DRAWING	SCALE	SHEET
	4:1	1 OF 1
		REV
		M3