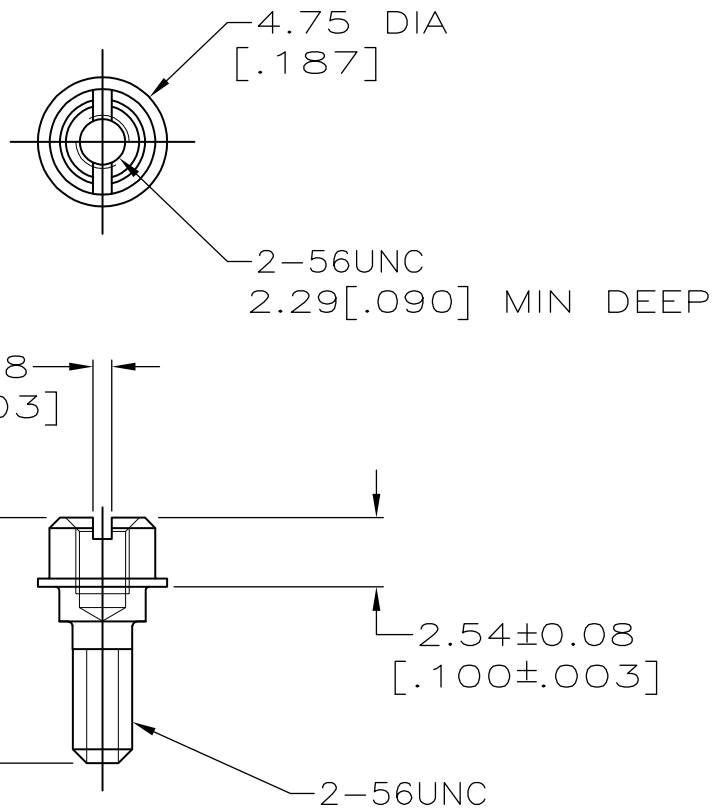


LOC	DIST	REVISIONS				
P	LTR	DESCRIPTION	DATE	DWN	APVD	
BD	95	B1	REVISED PER ECO-11-004835	11MAR11	RK HMR	



THIS DRAWING IS UNPUBLISHED. ALL RIGHTS RESERVED.

BULK	2	786585-3
INDIVIDUALLY	2	786585-2
PACKAGING TYPE	QTY	PART NO

DIMENSIONS: MM[INCHES]	DWN	C.OBERMAN	10/23/92	MATERIAL	STAINLESS STEEL	FINISH	-
	CHK	W.LENKER	10-25-92	TE Connectivity			
	APVD	T.SPANGLER	10-27-92				
	TOLERANCES UNLESS OTHERWISE SPECIFIED: 0 PLC ± - 1 PLC ± - 2 PLC ± 0.13 [0.005] 3 PLC ± - 4 PLC ± - ANGLES ± -				NAME	SCREWLOCK KIT, FEMALE, UNASSEMBLED, AMPLIMITE™ .050 SERIES	
PRODUCT SPEC - APPLICATION SPEC - WEIGHT -				SIZE	CAGE CODE	DRAWING NO	RESTRICTED TO
CUSTOMER DRAWING				A4	00779	C-786585	-
				SCALE	4:1	SHEET	1 OF 1
						REV	B1