

4

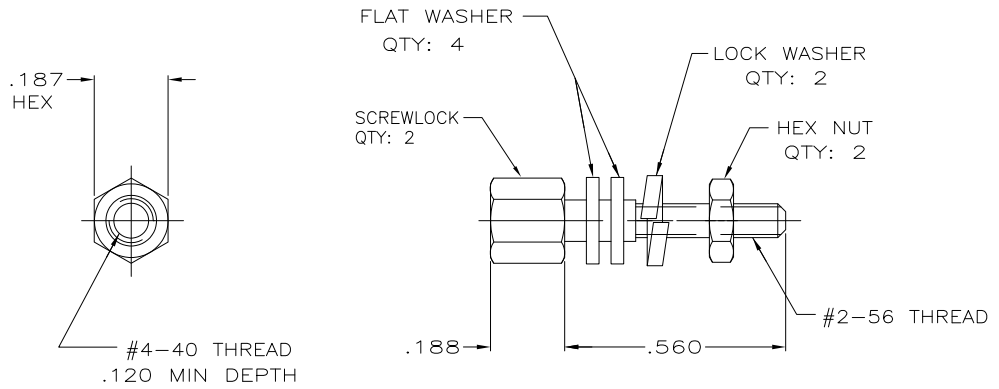
3

2

1

THIS DRAWING IS UNPUBLISHED. RELEASED FOR PUBLICATION
 © COPYRIGHT - By - ALL RIGHTS RESERVED.

LOC	DIST	REVISIONS			
P	LTR	DESCRIPTION	DATE	DWN	APVD
GP	00				
P		REVISED PER ECO-11-004835	11MAR11	RK	HMR



- 1 COLD ROLLED STEEL.
- 2 ZINC PLATED .000200-.000400 THICK, CLEAR CHROMATE COATING.
- 3. PARTS PACKAGED UNASSEMBLED.
- 4. PARTS PACKAGED AS A UNIT KIT.

5747223-3
 PART NO

THIS DRAWING IS A CONTROLLED DOCUMENT.		DWN	S. WAITMAN	11JUL05	 TE Connectivity
		CHK	C. ROLHE	11JUL05	
DIMENSIONS:		APVD	M. WALMSLEY	11JUL05	NAME KIT #4-40 SCREW LOCK FEMALE WITH 2-56 THREADS, AMPLIMITE HD-20
INCHES		PRODUCT SPEC			
TOLERANCES UNLESS OTHERWISE SPECIFIED:		APPLICATION SPEC			SIZE A3
0 PLC ± -		WEIGHT			
1 PLC ± -		CAGE CODE			DRAWING NO 00779
2 PLC ± -		RESTRICTED TO			
3 PLC ± .005		CUSTOMER DRAWING			SCALE 4:1
4 PLC ± -		SHEET			
ANGLES ± -		1 OF 1			REV P
FINISH		REV			