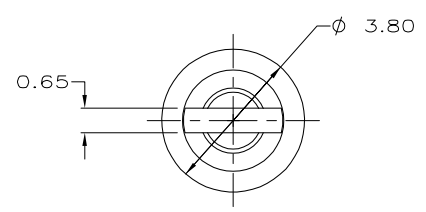
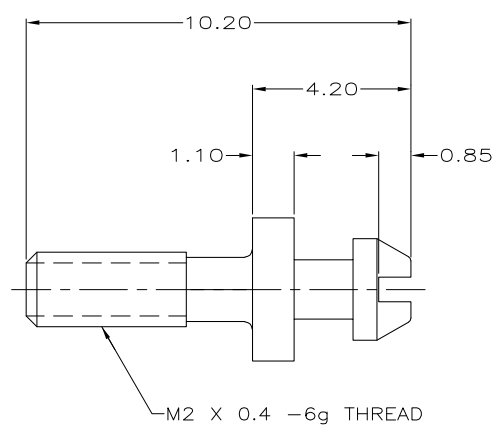


THIS DRAWING IS UNPUBLISHED. RELEASED FOR PUBLICATION
 © COPYRIGHT BY TYCO ELECTRONICS CORPORATION. ALL RIGHTS RESERVED.

LOC	DIST	REVISIONS					
GP	00	P	LTR	DESCRIPTION	DATE	DWN	APVD
		B		REVISED PER ECO-06-000326	17APR06	BM	SS

1 MATERIAL:
 STAINLESS STEEL PER TYCO 100-222-1
 (UNS S30300). COLD FINISHED.



	200	787003-3
OBSOLETE	2	787003-2
	QTY	PART NUMBER

THIS DRAWING IS A CONTROLLED DOCUMENT.		DWN	08/20/93	tyco Electronics	Tyco Electronics Corporation Harrisburg, PA 17105-3608	
DIMENSIONS: mm		CHK	08/20/93		NAME	
TOLERANCES UNLESS OTHERWISE SPECIFIED:		J.J. CONSOLI		LATCHING POST, BOARDMOUNT, 0.8mm CHAMP		
0 PLC	± -	APVD	-	PRODUCT SPEC	108-1471	
1 PLC	± -	APPLICATION SPEC		SIZE	CAGE CODE	DRAWING NO
2 PLC	± 0.13	WEIGHT		A3	00779	C=787003
3 PLC	± -	CUSTOMER DRAWING		SCALE	10:1	SHEET 1 of 1
4 PLC	± -	FINISH		REV B		
ANGLES	± -					
MATERIAL	1					

AMP 1470-19 REV 31MAR2000