

4

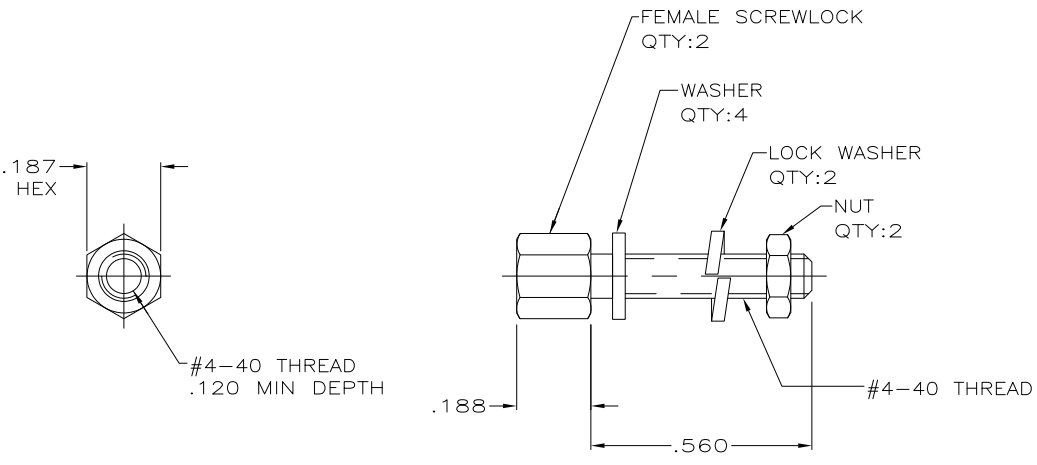
3

2

1

THIS DRAWING IS UNPUBLISHED. RELEASED FOR PUBLICATION
 © COPYRIGHT - By - ALL RIGHTS RESERVED.

LOC	DIST	REVISIONS			
P	LTR	DESCRIPTION	DATE	DWN	APVD
GP	00	REVISED PER ECO-11-004835	11MAR11	RK	HMR



- ① ZINC PLATED .000200-.000400 THICK, YELLOW CHROMATE COATING.
- ② ZINC PLATED .000200-.000400 THICK, CLEAR CHROMATE COATING.
- 3. PARTS PACKAGED UNASSEMBLED.
- ④ PARTS PACKAGED AS A UNIT KIT.
- ⑤ PARTS INDIVIDUALLY BULK PACKED & SHIPPED AS A UNIT PACKAGE.

⑤	②	5207719-4
④	②	5207719-3
⑤	①	5207719-2
④	①	5207719-1
PACKAGING	FINISH	PART NUMBER

THIS DRAWING IS A CONTROLLED DOCUMENT.		DWN S. WAITMAN 28JUN05	TE Connectivity	
DIMENSIONS: INCHES		CHK C. RÖHDE 28JUN05		
TOLERANCES UNLESS OTHERWISE SPECIFIED:		APVD M. WALMSLEY 28JUN05	NAME	
0 PLC ± -		PRODUCT SPEC	SCREWLOCK FEMALE ASSEMBLY, AMPLIMITE	
1 PLC ± -		APPLICATION SPEC	-	
2 PLC ± -		WEIGHT	SIZE A3	RESTRICTED TO
3 PLC ± .005			CAGE CODE 00779	DRAWING NO C-5207719
4 PLC ± -			SCALE 4:1 SHEET 1 OF 1 REV P	
ANGLES ± -		CUSTOMER DRAWING		
MATERIAL COLD ROLLED STEEL PER ASTM A108	FINISH SEE TABLE			