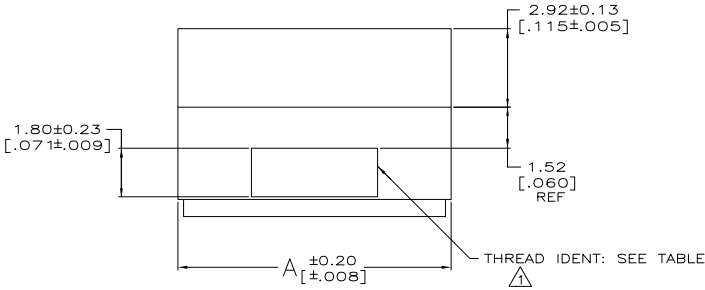
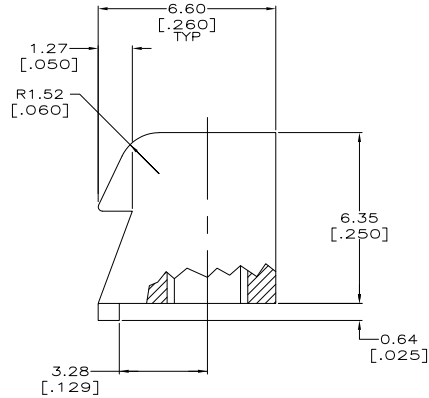
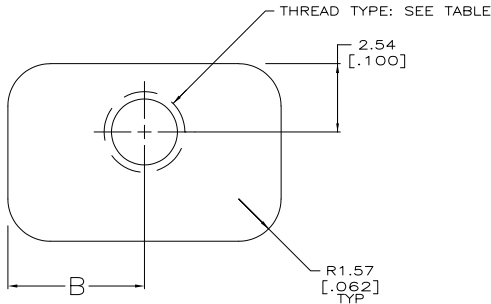


THE DRAWING IS UNPUBLISHED.  
 RELEASED FOR PUBLICATION  
 ALL RIGHTS RESERVED.

REV	DATE	DESCRIPTION	BY	APPD
H1	11MAR11	REVISED PER ECO-11-004835	RK	HMR



△ THREAD IDENTIFICATION LOCATED THIS AREA, 0.20 [.008] MAX RAISED CHARACTERS.

THREAD IDENT	PACKAGING	QUANTITY	THREAD TYPE	B	A	PART NUMBER
4-40	ONE KIT PER BAG	2	4-40 UNC-2B	6.73 [.265]	13.46 [.530]	1-208101-1
4-40	BULK PACKAGED	2	4-40 UNC-2B	5.08 [.200]	10.16 [.400]	208101-9
4-40	ONE KIT PER BAG	2	4-40 UNC-2B	5.08 [.200]	10.16 [.400]	208101-8
M3	BULK PACKAGED	2	M3 X 0.5-6H	5.08 [.200]	10.16 [.400]	208101-2
M3	ONE KIT PER BAG	2	M3 X 0.5-6H	5.08 [.200]	10.16 [.400]	208101-1

THIS DRAWING IS A CONTROLLED DOCUMENT.		DRN	B. MCMASTER	10MAR04
DIMENSIONS: mm[INCHES]		DWG	C. ROHDE	10MAR04
TOLERANCES UNLESS OTHERWISE SPECIFIED:		APPD	M. WALMSLEY	10MAR04
Ø	FUC	±	—	PRODUCT SPEC
1	FUC	±	0.25 [010]	—
2	FUC	±	—	APPLICATION SPEC
3	FUC	±	—	—
4	FUC	±	—	—
ANGLES	—	±	—	—
MATERIAL	Zinc	FINISH	—	—
CUSTOMER DRAWING		SIZE	A2	CAGE CODE
		DRAWING NO	00779	DRAWING NO
		SCALE	10:1	SHEET
		RESTRICTED TO	1 of 1	REV
			H1	