

4

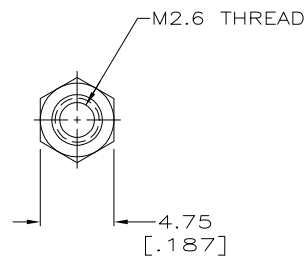
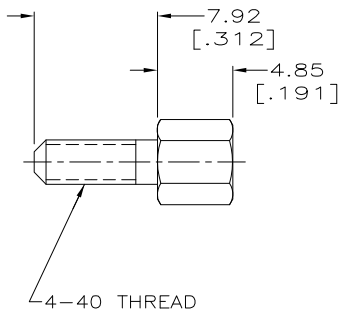
3

2

1

THIS DRAWING IS UNPUBLISHED. RELEASED FOR PUBLICATION
 © COPYRIGHT - BY TYCO ELECTRONICS CORPORATION. ALL RIGHTS RESERVED.

LOC	DIST	REVISIONS				
P	LTR	DESCRIPTION	DATE	DWN	APVD	
GP	00	0	RELEASED PER EC OS13-0207-05	30JUN05	RR	JG



1 ZINC PLATED .000200-.000400 THICK,
 CLEAR CHROMATE COATING.

5749765-3
 PART NO

THIS DRAWING IS A CONTROLLED DOCUMENT.		DWN R. RICHARDSON 30JUN05	tyco Electronics		Tyco Electronics Corporation Harrisburg, Pa 17105-3608													
DIMENSIONS: INCHES		CHK C. RÖHDE 30JUN05	NAME M. WALMSLEY 30JUN05															
<table border="1"> <tr><th colspan="2">TOLERANCES UNLESS OTHERWISE SPECIFIED:</th></tr> <tr><td>0 PLC</td><td>± -</td></tr> <tr><td>1 PLC</td><td>± -</td></tr> <tr><td>2 PLC</td><td>± 0.13 [005]</td></tr> <tr><td>3 PLC</td><td>± -</td></tr> <tr><td>4 PLC</td><td>± -</td></tr> <tr><td>ANGLES</td><td>± -</td></tr> </table>		TOLERANCES UNLESS OTHERWISE SPECIFIED:		0 PLC	± -	1 PLC	± -	2 PLC	± 0.13 [005]	3 PLC	± -	4 PLC	± -	ANGLES	± -	PRODUCT SPEC -		RESTRICTED TO -
TOLERANCES UNLESS OTHERWISE SPECIFIED:																		
0 PLC	± -																	
1 PLC	± -																	
2 PLC	± 0.13 [005]																	
3 PLC	± -																	
4 PLC	± -																	
ANGLES	± -																	
MATERIAL CARBON STEEL	FINISH 1	APPLICATION SPEC -	SIZE A3	CAGE CODE 00779	DRAWING NO C-5749765													
CUSTOMER DRAWING			WEIGHT -	SCALE 4:1	SHEET 1 OF 1 REV 0													