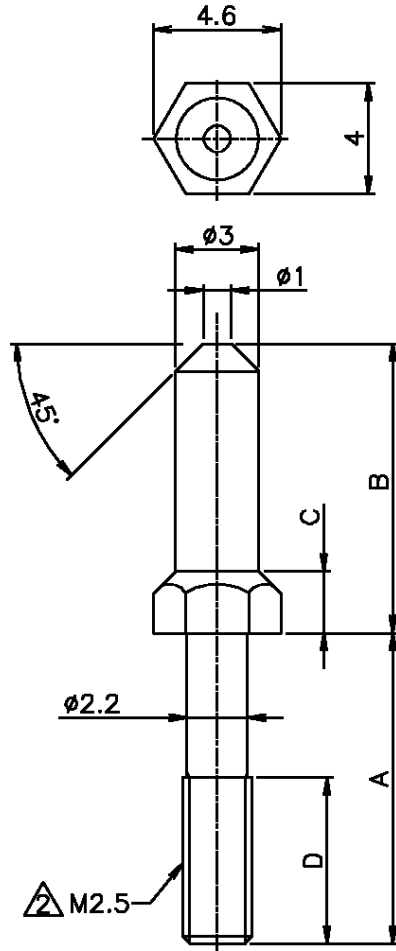


LOG	DIST	REVISIONS					
J		P	LTR	DESCRIPTION	DATE	DWN	APVD
		E		REVISED&REDAWN FJ00-2170-02	18OCT'02	S.A	H.S



注記

- 1. 材料及び仕上：黄銅、ニッケルメッキ
- △ ねじ部先端を除き、ゆるみ止め材料塗布  
(ロックタイト DRI-LOC 202, 203 相当)

NOTE

- 1. MATERIAL AND FINISH BRASS, Ni PLATE
- △ THREADLOCKING MATERIAL APPLIED, EXCEPT FOR THREAD TIP AREA. (EQUIVALENT LOCTITE DRI-LOC 202, 203)

MAKE FROM -1	6	2.22	10.45	11.2	2-177734-1 △
/	4.6	2.22	10.45	5.6	177734-5
	6	3.02	11.25	10.4	177734-4
	6	3.02	11.25	7	177734-3
	6	2.22	10.45	7.8	177734-2
	6	2.22	10.45	11.2	177734-1

REMARKS	D	C	B	A	P/N
---------	---	---	---	---	-----

THIS DRAWING IS UNPUBLISHED.  
 RELEASED FOR PUBLICATION .1993.  
 ALL RIGHTS RESERVED.  
 © COPYRIGHT 1993 BY TYCO ELECTRONICS CORPORATION.

DIMENSIONS: MM

TOLERANCES UNLESS OTHERWISE SPECIFIED:

0 PLC	± 0.25
1 PLC	± 0.25
2 PLC	± 0.25
3 PLC	±
4 PLC	±
ANGLES	± 3

DWN	S.ABE	16OCT02
CHK	H.SHIRAI	16OCT02
APVD	H.SHIRAI	16OCT02
PRODUCT SPEC	/	
APPLICATION SPEC	/	
WEIGHT	/	

MATERIAL: SEE NOTE      FINISH: SEE NOTE

**tyco Electronics** Tyco Electronics AMP K.K. Kawasaki, Japan

NAME: GUIDE PIN FOR AMP DOCKING CONNECTOR

SIZE	CAGE CODE	DRAWING NO	RESTRICTED TO
A4	00779	177734	-

CUSTOMER DRAWING      SCALE: 4:1      SHEET 1 OF 1      REV E