

4

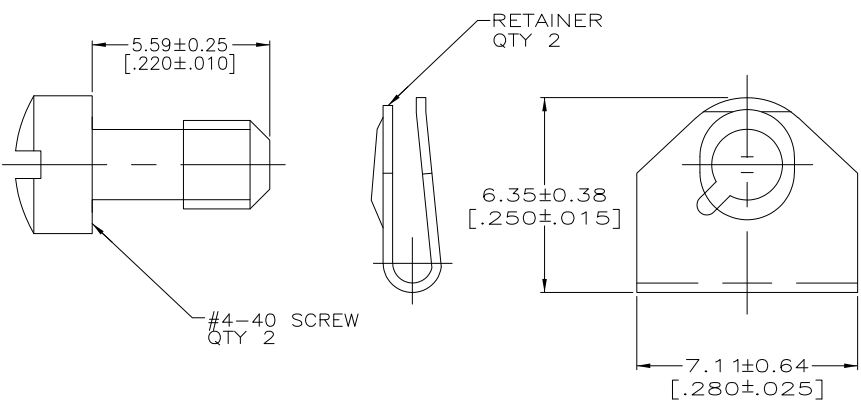
3

2

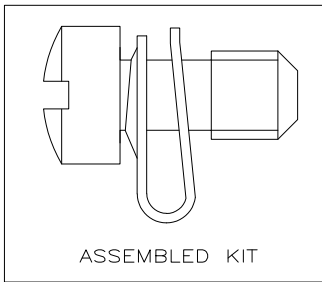
1

THIS DRAWING IS UNPUBLISHED. RELEASED FOR PUBLICATION
 © COPYRIGHT - By - ALL RIGHTS RESERVED.

LOC	DIST	REVISIONS			
P	LTR	DESCRIPTION	DATE	DWN	APVD
GP	00				
	P	REVISED PER ECO-11-004835	11MAR11	RK	HMR



- 1. PARTS PACKAGED UNASSEMBLED.
- 2. STAINLESS STEEL PER ASTM A666.
- 3. PACKAGING MARKED WITH TE CONNECTIVITY, PART NO & DATE CODE.
- 4. ZINC PLATED .000200-.000400 THICK YELLOW CHROMATE COATING.
- 5. ZINC PLATED .000200-.000400 THICK CLEAR CHROMATE COATING.
- 6. PARTS INDIVIDUALLY BULK PACKED AND SHIPPED AS A UNIT PACKAGE.
- 7. PARTS PACKAGED AS A UNIT KIT.



3	6	5	5205980-5
3	7	5	5205980-4
3	6	4	5205980-3
3	7	4	5205980-1
MARKING	PACKAGING	SCREW FINISH	PART NO

DIMENSIONS:		TOLERANCES UNLESS OTHERWISE SPECIFIED:		DWN		CHK		APVD		NAME		RESTRICTED TO	
mm	[INCHES]	0 PLC	± -	S. WAITMAN	27JUN05	C. RÖHDE	27JUN05	M. WALMSLEY	27JUN05	TE Connectivity			
		1 PLC	± -							KIT, SCREW RETAINER			
		2 PLC	± 0.13 [0.005]										
		3 PLC	± -										
		4 PLC	± -										
		ANGLES	± -										
MATERIAL		FINISH		WEIGHT		SIZE		CAGE CODE		DRAWING NO		RESTRICTED TO	
SCREWS: CARBON STEEL		SCREWS: SEE TABLE		-		A3		00779		C-5205980		-	
RETAINERS: 2				CUSTOMER DRAWING		SCALE		8:1		SHEET		1 OF 1	
												REV P	