

4

3

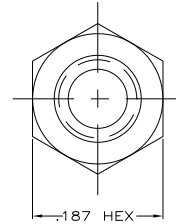
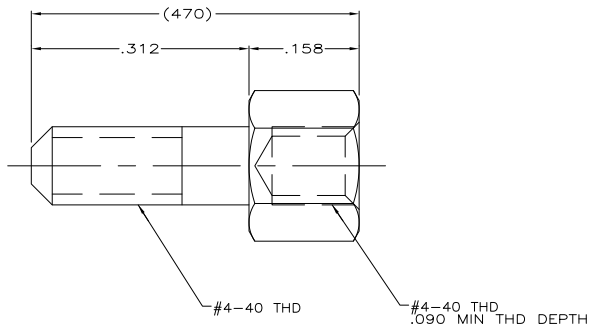
2

1

THIS DRAWING IS UNPUBLISHED. RELEASED FOR PUBLICATION
 © COPYRIGHT - By - ALL RIGHTS RESERVED.

LOC	DIST	REVISIONS			
P	LTR	DESCRIPTION	DATE	BY	APPD
GP	00				
P		REVISED PER ECO-11-004835	11MAR11	RK	HMR

- ⚠ COLD ROLLED STEEL PER ASTM A108.
- ⚠ ZINC PLATED .000200-.000400 THICK, YELLOW CHROMATE COATING.



5748270-2
 PART NUMBER

THIS DRAWING IS A CONTROLLED DOCUMENT.		DRN R. RICHARDSON 17AJUN05		TE Connectivity	
DIMENSIONS: INCHES		CHK C. ROHDE 17AJUN05		NAME M. WALMSLEY	
0 PLC ± .005 1 PLC ± .005 2 PLC ± .005 3 PLC ± .005 4 PLC ± .005 ANGLES ± .5°		APPD M. WALMSLEY 17AJUN05	PRODUCT SPEC		
MATERIAL		APPLICATION SPEC	SIZE	CAGE CODE	DRAWING NO
FINISH		WEIGHT	A2	00779	C=5748270
⚠ MATERIAL ⚠ FINISH		CUSTOMER DRAWING		SCALE	10:1
				SHEET	1 of 1
				REV	P