


ELECTRICAL SPECIFICATIONS:

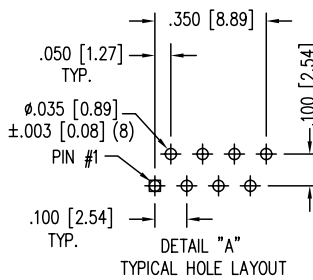
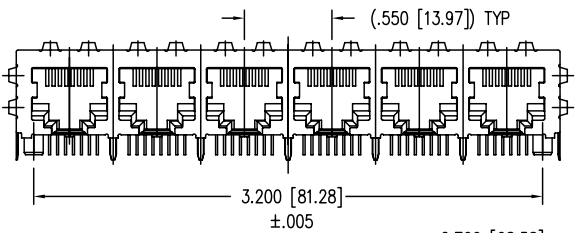
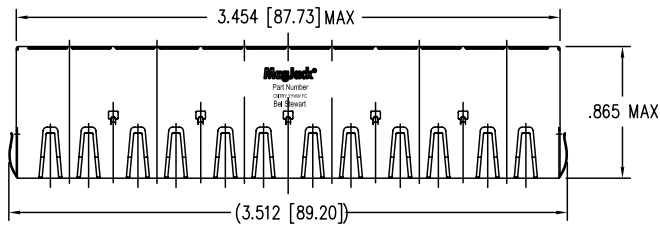
	FREQUENCY (MHz)	VALUE
1.0	RETURN LOSS:	
		1 TO 30 18 dB MIN
		31 TO 60 13 dB MIN
		61 TO 80 10 dB MIN
		81 TO 100 8.6 dB MIN
	101 TO 155 5.0 dB MIN	
2.0	DIFFERENTIAL TO COMMON REJ:	
		1 TO 100 34 dB MIN
		101 TO 155 24 dB MIN
3.0	NEAR END CROSS-TALK	
		1 TO 100 30 dB MIN
		101 TO 155 23 dB MIN
4.0	INSERTION LOSS	
		1 TO 100 1.0 dB MAX
		101 TO 155 1.5 dB MAX
5.0	INDUCTANCE, BIAS 8 mA 1.0 V	
		0.1 6.0 uH MIN
6.0	DC RESISTANCE	
		P1 - J1 0.3 OHMS MAX
		P2 - J2 0.3 OHMS MAX
		P3 - J3 0.3 OHMS MAX
		P4 - J4 0.3 OHMS MAX
		P5 - J5 0.3 OHMS MAX
	P6 - J6 0.3 OHMS MAX	
7.0	DIELECTRIC WITHSTAND VOLTAGE	- 1000 VDC

NOTE:
PINS NOT ELECTRICALLY CONNECTED ARE OMITTED.



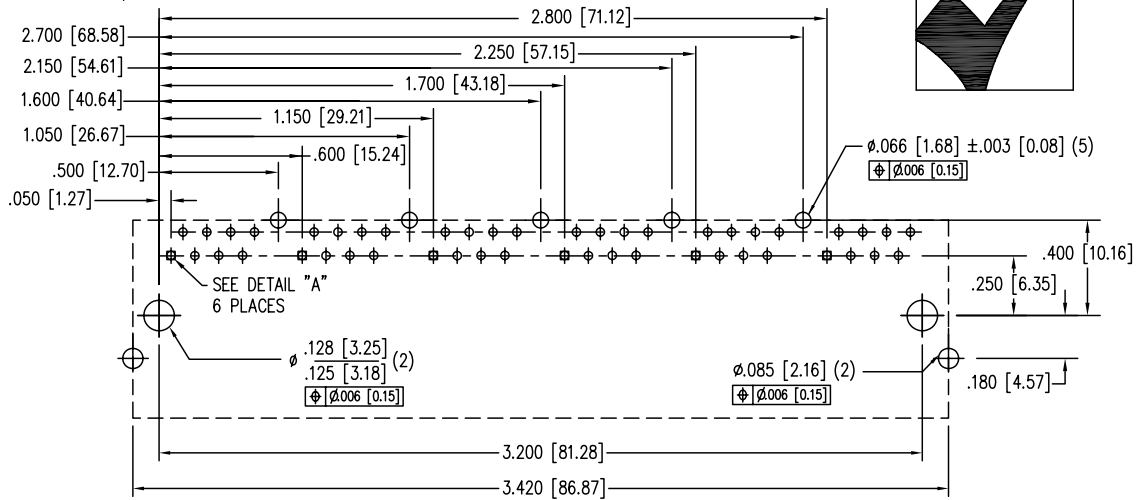
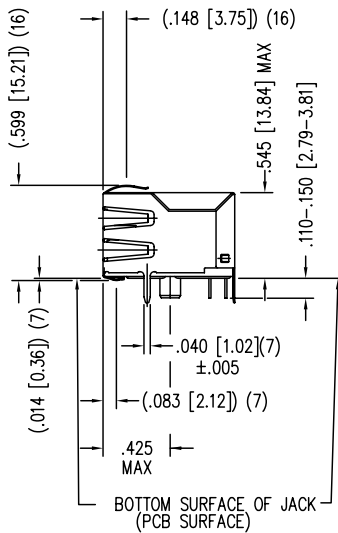
Bel Stewart Connector 11118 Susquehanna Trail, South Glen Rock, Pa 17327-9199 717.234.7512		 http://www.stewartconnector.com	
SHEET	DRAWING NO.	REV.	
1 OF 3	SI-60190-F	03	

THIS DRAWING AND THE SUBJECT MATTER SHOWN THEREON ARE CONFIDENTIAL AND PROPERTY OF BEL STEWART CONNECTOR AND SHALL NOT BE REPRODUCED, COPIED, OR USED IN ANY MANNER WITHOUT PRIOR WRITTEN CONTENT OF BEL STEWART CONNECTOR. THE SUBJECT MATTER MAY BE PATENTED OR A PATENT MAY BE PENDING.



NOTES:

- CONNECTOR MATERIALS:
HOUSING: THERMOPLASTIC UL94 V-0
CONTACT/SHIELD: COPPER ALLOY
SHIELD PLATING: NICKEL OR TIN
CONTACT PLATING: SELECTIVE GOLD,
50 MICRO-INCHES MIN. IN CONTACT AREA.
- PIN NOT ELECTRICALLY CONNECTED MAYBE OMITTED.
SEE ELECTRICAL DRAWING FOR OMITTED PINS.
- TOLERANCES COMPLY WITH F.C.C. DIMENSION REQUIREMENTS.
- ALL TOLERANCES NOT OTHERWISE SPECIFIED TO BE ±.005 [0.13]
- WAVE SOLDER COMPATIBLE - PREHEAT 125°C/90SECS.



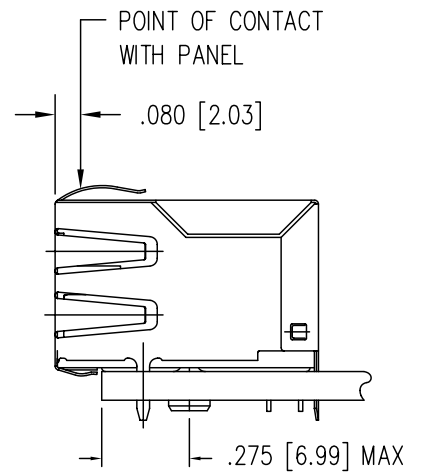
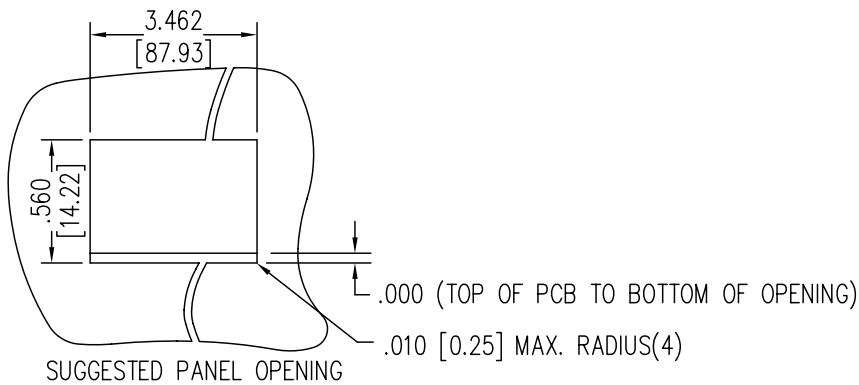
P.C.B. RECOMMENDED HOLE LAYOUT
SEEN FROM COMPONENT SIDE
ALL CENTERLINE DIMENSIONS ARE BASIC

Bel Stewart Connector
11118 Susquehanna Trail, South
Glen Rock, Pa 17327-9199
717.234.7512
<http://www.stewartconnector.com>



THIS DRAWING AND THE SUBJECT MATTER SHOWN THEREON ARE CONFIDENTIAL AND PROPERTY OF BEL STEWART CONNECTOR AND SHALL NOT BE REPRODUCED, COPIED, OR USED IN ANY MANNER WITHOUT PRIOR WRITTEN CONTENT OF BEL STEWART CONNECTOR. THE SUBJECT MATTER MAY BE PATENTED OR A PATENT MAY BE PENDING.

SHEET 2 OF 3 DRAWING NO. SI-60190-F REV. 02



THE SUGGESTED PANEL OPENING IS INTENDED TO GIVE THE USER THE ABILITY TO HAVE REASONABLE JACK / PANEL CLEARANCES YET MAINTAIN RELIABLE GROUNDING CAPABILITY.

Bel Stewart Connector
11118 Susquehanna Trail, South
Glen Rock, Pa 17327-9199
717.234.7512

MagJack®

<http://www.stewartconnector.com>

THIS DRAWING AND THE SUBJECT MATTER SHOWN THEREON ARE CONFIDENTIAL AND PROPERTY OF BEL STEWART CONNECTOR AND SHALL NOT BE REPRODUCED, COPIED, OR USED IN ANY MANNER WITHOUT PRIOR WRITTEN CONTENT OF BEL STEWART CONNECTOR. THE SUBJECT MATTER MAY BE PATENTED OR A PATENT MAY BE PENDING.

SHEET
3 OF 3

DRAWING NO. SI-60190-F

REV. 01