

THE INFORMATION CONTAINED HEREIN IS CONSIDERED "PROPRIETARY" TO BEL FUSE INC. AND SHALL NOT BE COPIED, REPRODUCED OR DISCLOSED WITHOUT THE WRITTEN APPROVAL OF BEL FUSE INC.

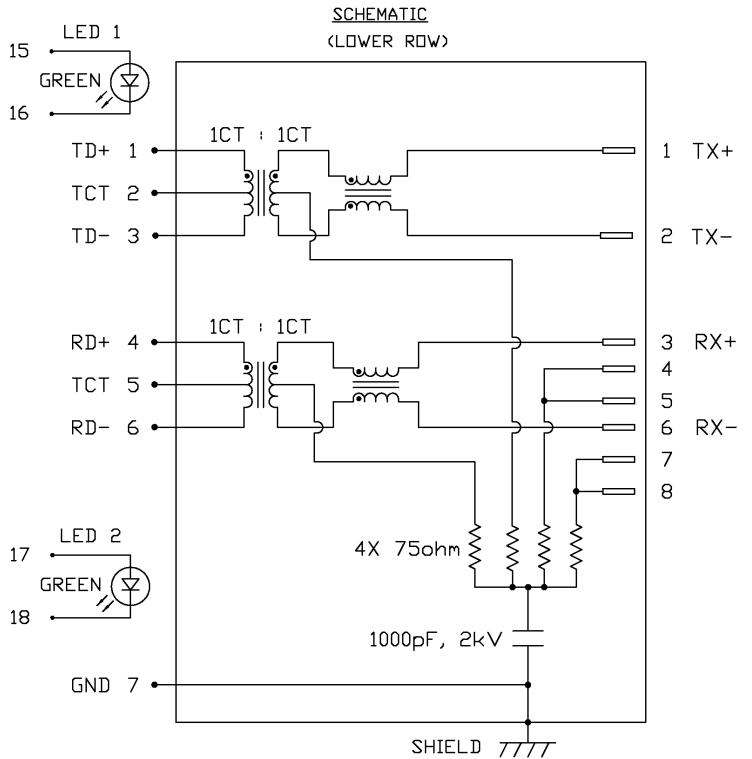
LED 1 POLARITY			LED 2 POLARITY		
PIN 15	PIN 16	COLOR	PIN 17	PIN 18	COLOR
+	-	GREEN	+	-	GREEN

PRELIMINARY



ELECTRICAL CHARACTERISTICS @ 25°C

<p> URNS RATIO TX 1CT : 1CT ±3% RX 1CT : 1CT ±3% DCL @ 100kHz/100mVRMS 8mA DC BIAS 350µH MIN. INS. LOSS 100kHz TO 100MHz -1.1 dB MAX RET. LOSS (MIN) 1MHz-30MHz -18 dB 60MHz-80MHz -12 dB CM TO CM REJ 1MHz-100MHz -35 dB TYP CROSS TALK (TX - RX) 1MHz-100MHz -35 dB TYP LEAKAGE INDUCTANCE PRIMARY W/ SECONDARY SHORTED 0.4µH Max. @ 1MHz INTERWINDING CAPACITANCE PER CHANNEL (PRI. TO SEC.) 30pF TYP @ 1MHz DC RESISTANCE (RJ1-RJ2)=(RJ3-RJ6) 1.8 ohms Max PIN4-PIN6 1.1 ohms Max PIN1-PIN3 1.1 ohms Max OPERATING TEMPERATURE: -40 TO +85 C° HIPOT (Isolation Voltage): 1500 Vrms LED 1 & LED 2 VF (FORWARD VOLTAGE) IF=20mA GREEN 2.2V TYP. λD (DOMINANT WAVELENGTH) IF=20mA GREEN 565nm TYP. </p>
--



ORIGINATED BY CHUNG	DATE 12-27-05	TITLE 2X1 MagJack® (with LED)	PART NO. / DRAWING NO. 0845-2G1T-S4	STANDARD DIM. TOL. IN INCH .X .XX .XXX	[] METRIC DIM. AS REFERENCE UNIT : INCH [mm] SCALE : N/A	REV. : PB SIZE : A4 PAGE : 2	 COMPONENTS ARE A CONNECTED PLANET
DRAWN BY DE	DATE 12-27-05		FILE NAME 08452G1TS4PB.DWG				

This document is electronically generated. This is a controlled copy if used internally

DC002(2)032305

THE INFORMATION CONTAINED HEREIN IS CONSIDERED "PROPRIETARY" TO BEL FUSE INC. AND SHALL NOT BE COPIED, REPRODUCED OR DISCLOSED WITHOUT THE WRITTEN APPROVAL OF BEL FUSE INC.

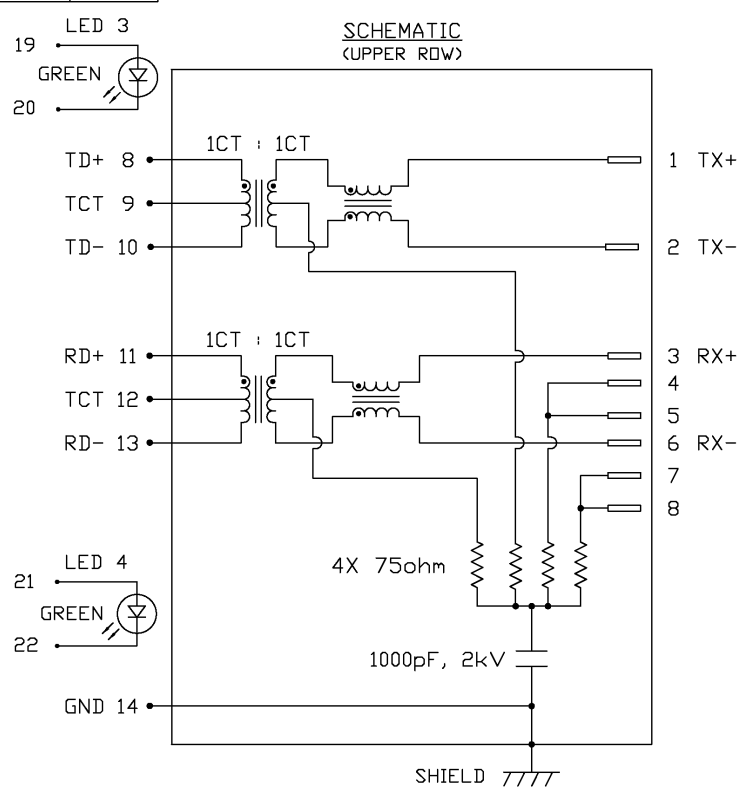
LED 3 POLARITY			LED 4 POLARITY		
PIN 19	PIN 20	COLOR	PIN 21	PIN 22	COLOR
+	-	GREEN	+	-	GREEN

PRELIMINARY



ELECTRICAL CHARACTERISTICS @ 25°C

<p> URNS RATIO TX 1CT : 1CT ±3% RX 1CT : 1CT ±3% DCL @ 100kHz/100mVRMS 8mA DC BIAS 350µH MIN. INS. LOSS 100kHz TO 100MHz -1.1 dB MAX RET. LOSS (MIN) 1MHz-30MHz -18 dB 60MHz-80MHz -12 dB CM TO CM REJ 1MHz-100MHz -35 dB TYP CROSS TALK (TX - RX) 1MHz-100MHz -35 dB TYP LEAKAGE INDUCTANCE PRIMARY W/ SECONDARY SHORTED 0.4µH Max. @ 1MHz INTERWINDING CAPACITANCE PER CHANNEL (PRI. TO SEC.) 30pF TYP @ 1MHz DC RESISTANCE (RJ1-RJ2)=(RJ3-RJ6) 1.8 ohms Max PIN11-PIN13 1.1 ohms Max PIN8-PIN10 1.1 ohms Max OPERATING TEMPERATURE: -40 TO +85 C HIPOT (Isolation Voltage): 1500 Vrms LED 3 & LED 4 (SUPER BRIGHT) VF (FORWARD VOLTAGE) IF=20mA GREEN 2.2V TYP. λD (DOMINANT WAVELENGTH) IF=20mA GREEN 565nm TYP. </p>

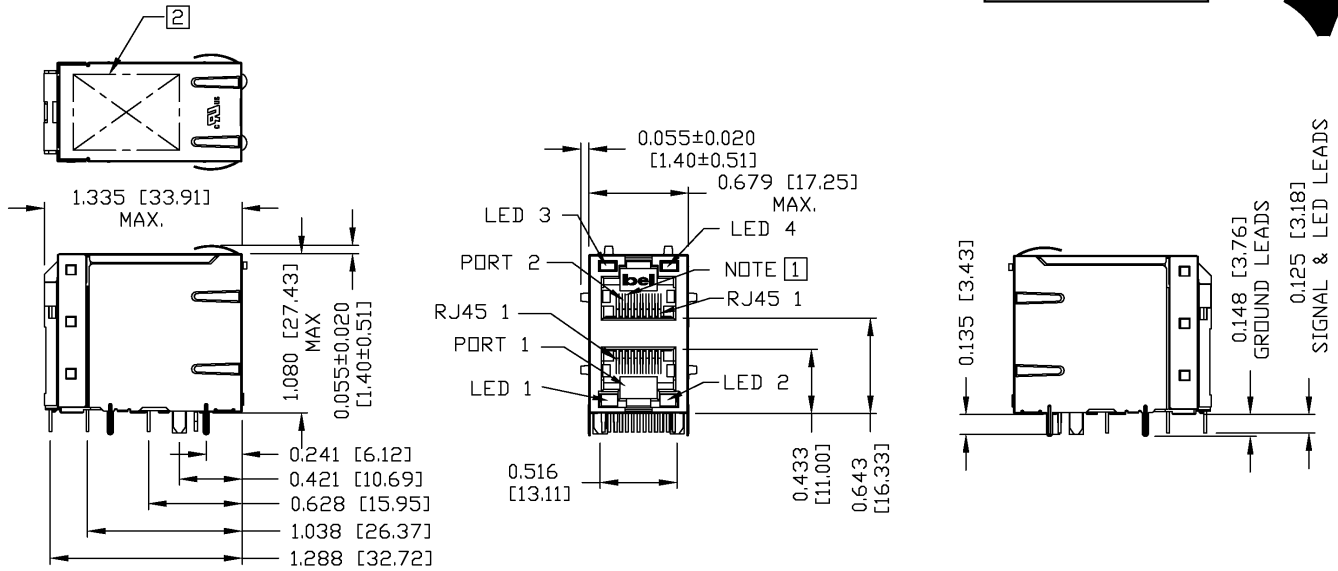


ORIGINATED BY CHUNG DRAWN BY DE	DATE 12-27-05 DATE 12-27-05	TITLE 2X1 MagJack® (with LED)	PART NO. / DRAWING NO. 0845-2G1T-S4	STANDARD DIM. TOL. IN INCH .X .XX .XXX	[] METRIC DIM. AS REFERENCE UNIT : INCH [mm] SCALE : N/A	REV. : PB SIZE : A4 PAGE : 3	 COMPONENTS OR A CONNECTED PLANET
			FILE NAME 08452G1TS4PB.DWG				

DC002(2)032305 This document is electronically generated. This is a controlled copy if used internally

THE INFORMATION CONTAINED HEREIN IS CONSIDERED "PROPRIETARY" TO BEL FUSE INC. AND SHALL NOT BE COPIED, REPRODUCED OR DISCLOSED WITHOUT THE WRITTEN APPROVAL OF BEL FUSE INC.

PRELIMINARY



NOTES:

- PLASTIC HOUSING: THERMOPLASTIC PBT
FLAMMABILITY RATING UL 94V-0
- CONTACT PLATING: 50 MICRO-INCH HARD GOLD PLATING
- OUTPUT PINS: TIN-COATED COPPER WIRE, DIA 0.018 INCH.
- METAL SHIELD: NICKEL PLATED ON COPPER ALLOY.
(ALL GROUND LEADS ARE SOLDER DIPPED)

- [1] JACK CAVITY CONFORMS TO FCC RULES AND REGULATIONS, PART 68 SUBPART F.
 - [2] MARK PART WITH MFG LOGO, MFG NAME, PART NUMBER, AND DATE CODE.
- RoHS COMPLIANCE, PER EU DIRECTIVE 2002/95/EC.
 us UL RECOGNIZED - FILE #E196366 AND E169987.

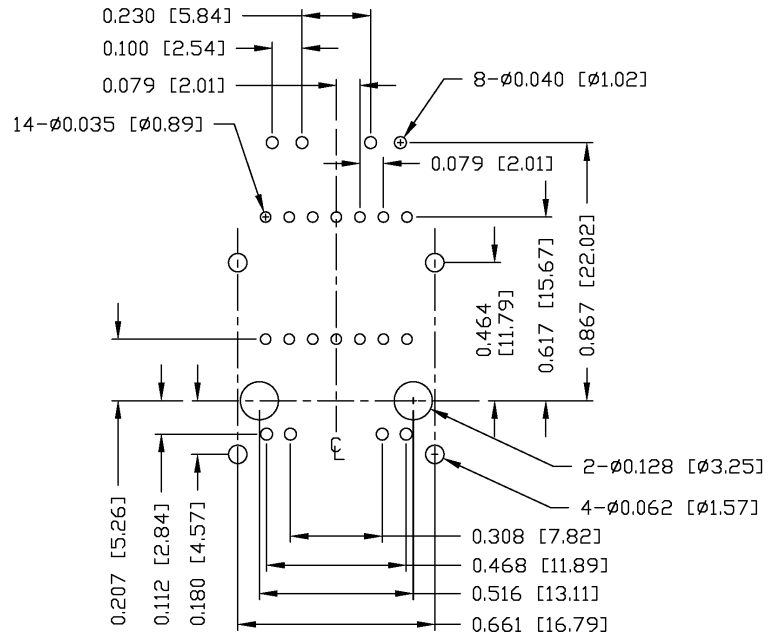
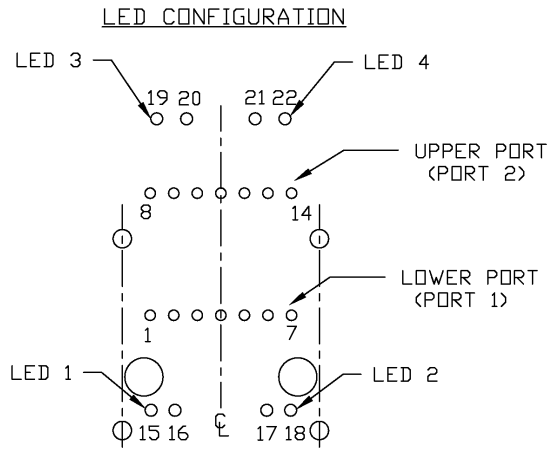
ORIGINATED BY QIN	DATE 12-27-05	TITLE 2X1 MagJack® (with LED)	PART NO. / DRAWING NO. 0845-2G1T-S4	STANDARD DIM. TOL. IN INCH	[] METRIC DIM. AS REFERENCE
DRAWN BY TING	DATE 12-27-05		FILE NAME 08452G1TS4PB.DWG	.X .XX .XXX ±0.010	UNIT : INCH [mm] SCALE : N/A REV. : PB SIZE : A4 PAGE : 4



DC002(2)032305 This document is electronically generated. This is a controlled copy if used internally

THE INFORMATION CONTAINED HEREIN IS CONSIDERED 'PROPRIETARY' TO BEL FUSE INC. AND SHALL NOT BE COPIED, REPRODUCED OR DISCLOSED WITHOUT THE WRITTEN APPROVAL OF BEL FUSE INC.

PRELIMINARY



PIN-OUT INFORMATION
(COMPONENT SIDE VIEW)
(SCALE 2:1)

SUGGESTED FOOTPRINT
(COMPONENT SIDE VIEW)
(SCALE 2:1)

ORIGINATED BY QIN	DATE 12-27-05	TITLE 2X1 MagJack® (with LED)	PART NO. / DRAWING NO. 0845-2G1T-S4	STANDARD DIM. TOL. IN INCH	<input type="checkbox"/> METRIC DIM. AS REFERENCE
DRAWN BY TING	DATE 12-27-05		FILE NAME 08452G1TS4PB.DWG	.X .XX .XXX ±0.004	UNIT : INCH [mm] SCALE : N/A REV. : PB
					SIZE : A4 PAGE : 5



This document is electronically generated. This is a controlled copy if used internally

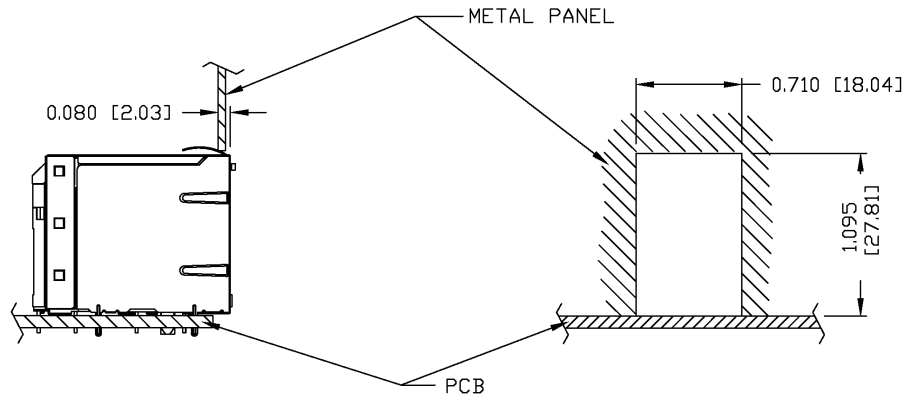
DC002(2)032305

THE INFORMATION CONTAINED HEREIN IS CONSIDERED "PROPRIETARY" TO BEL FUSE INC. AND SHALL NOT BE COPIED, REPRODUCED OR DISCLOSED WITHOUT THE WRITTEN APPROVAL OF BEL FUSE INC.

PRELIMINARY



SUGGESTED PANEL OPENING



NOTE:

THE DISTANCE OF PANEL INSIDE SURFACE RELATIVE TO FRONT SURFACE OF PART IS ONLY A SUGGESTION. IN CASE THIS DISTANCE IS DIFFERENT, THE REQUIRED PANEL OPENING DIMENSIONS CHANGE ACCORDINGLY.

PACKING INFORMATION

PACKING TRAY: 0200-9999-H5 (TOP)
0200-9999-H6 (BOTTOM)

PACKING QUANTITY: 40 PCS FINISHED GOODS PER TRAY
6 TRAYS (240 PCS FINISHED GOODS) PER CARTON BOX.

NOTE: CARDBOARD ARE PLACED BETWEEN LAYERS OF PACKING TRAY INSIDE CARTON BOX.
(INCLUDE THE UPPERMOST AND LOWEREST TRAY)

ORIGINATED BY QIN	DATE 12-27-05	TITLE 2X1 MagJack® (with LED)	PART NO. / DRAWING NO. 0845-2G1T-S4	STANDARD DIM. TOL. IN INCH	[] METRIC DIM. AS REFERENCE	REV. : PB	PAGE : 6	 COMPONENTS FOR A CONNECTED PLANET
DRAWN BY TING	DATE 12-27-05		FILE NAME 08452G1TS4PB.DWG	.X .XX .XXX	UNIT : INCH [mm] SCALE : N/A			

DC002(2)032305

This document is electronically generated. This is a controlled copy if used internally