

THE INFORMATION CONTAINED HEREIN IS CONSIDERED "PROPRIETARY" TO BEL FUSE INC. AND SHALL NOT BE COPIED, REPRODUCED OR DISCLOSED WITHOUT THE WRITTEN APPROVAL OF BEL FUSE INC.

LED 1 POLARITY			LED 2 POLARITY		
PIN 15	PIN 16	COLOR	PIN 17	PIN 18	COLOR
+	-	GREEN	+	-	GREEN

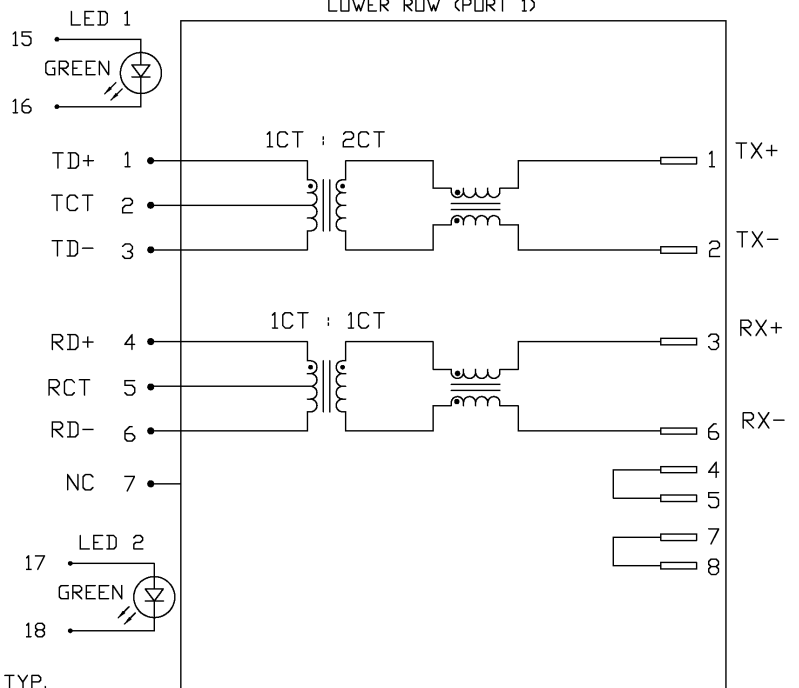
PRELIMINARY



ELECTRICAL CHARACTERISTICS @ 25°C

URNS RATIO	
TX	1CT : 2
RX	1CT : 1
DCL @ 100kHz/100mVRMS	
Tx	18 μ H MIN.
Rx	98 μ H MIN.
INS. LOSS	
1MHZ TO 10MHZ	-1.0 dB MAX
RET. LOSS (MIN)	
1MHZ-10MHZ	-18 dB
CROSS TALK (TX - RX)	
100kHz-100MHZ	-35 dB MIN
CM TO CM REJ	
100kHz-100MHZ	-30 dB MIN
CM TO DM REJ	
100kHz-100MHZ	-35 dB MIN
HIPOT (Isolation Voltage)	
LED1 and LED2	1500 Vrms
V _F (FORWARD VOLTAGE)	IF=20mA GREEN 2.2V TYP.
λ D (DOMINANT WAVELENGTH)	IF=20mA GREEN 565nm TYP.

SCHEMATIC LOWER ROW (PORT 1)



ORIGINATED BY CHUNG	DATE 12-27-05	TITLE 2X1 MagJack® (with LED)	PART NO. / DRAWING NO. 0845-2G1T-H6	STANDARD DIM. TOL. IN INCH	<input type="checkbox"/> METRIC DIM. AS REFERENCE
DRAWN BY DE	DATE 12-27-05		FILE NAME 08452G1TH6PC.DWG	.X .XX .XXX	<input type="checkbox"/> UNIT : INCH [mm] <input type="checkbox"/> SCALE : N/A



This document is electronically generated. This is a controlled copy if used internally

DC002(2)082305

THE INFORMATION CONTAINED HEREIN IS CONSIDERED "PROPRIETARY" TO BEL FUSE INC. AND SHALL NOT BE COPIED, REPRODUCED OR DISCLOSED WITHOUT THE WRITTEN APPROVAL OF BEL FUSE INC.

LED 3 POLARITY			LED 4 POLARITY		
PIN 19	PIN 20	COLOR	PIN 21	PIN 22	COLOR
+	-	GREEN	+	-	GREEN

PRELIMINARY



ELECTRICAL CHARACTERISTICS @ 25°C

URNS RATIO

TX	1CT : 1
RX	1CT : 1
DCL @ 100kHz,100mVRMS 8mA DC BIAS	350µH MIN

INS. LOSS

100kHz TO 100MHz	-1.1 dB MAX
------------------	-------------

RET. LOSS

1MHz-30MHz	-18 dB MIN
60MHz-80MHz	-12 dB MIN

CROSS TALK (TX - RX)

100kHz-100MHz	-35 dB MIN
---------------	------------

CM TO CM REJ

100kHz-100MHz	-30 dB MIN
---------------	------------

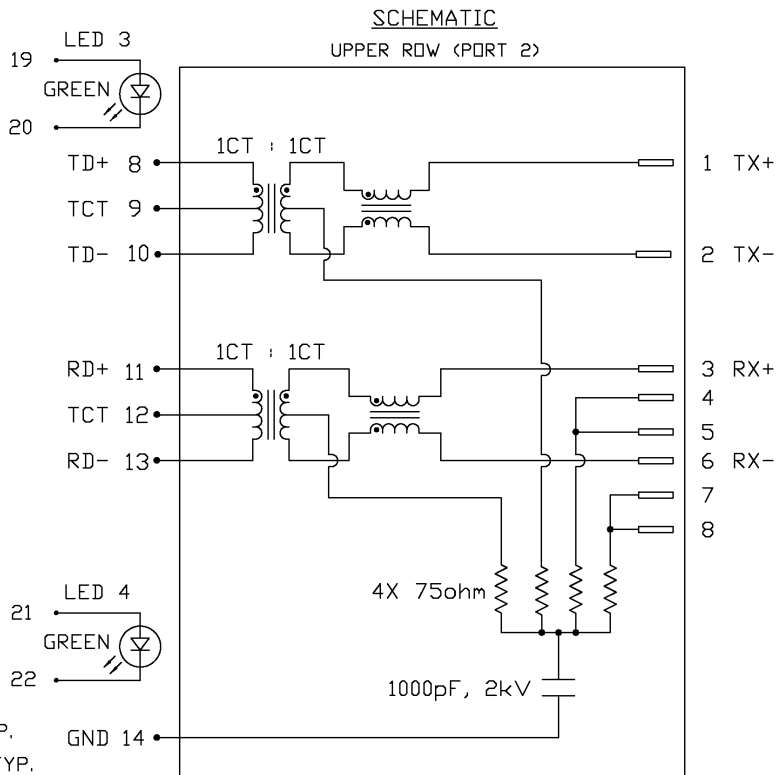
CM TO DM REJ

100kHz-100MHz	-35 dB MIN
---------------	------------

HIPOT (Isolation Voltage)

LED3 and LED4 (Super bright)	1500 Vrms
------------------------------	-----------

VF (FORWARD VOLTAGE)	IF=20mA	GREEN	2.2V TYP.
λD (DOMINANT WAVELENGTH)	IF=20mA	GREEN	565nm TYP.



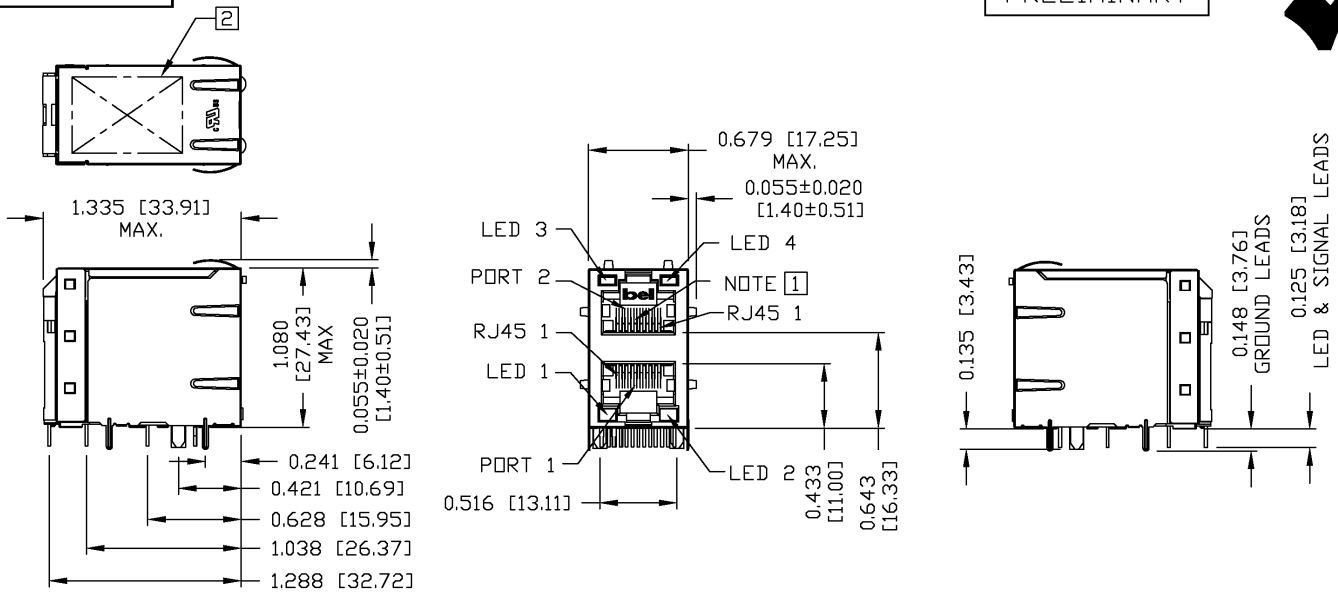
ORIGINATED BY	DATE	TITLE	PART NO. / DRAWING NO.	STANDARD DIM. TOL. IN INCH	[] METRIC DIM. AS REFERENCE
CHUNG	12-27-05	2X1 MagJack® (with LED)	0845-2G1T-H6	.X	UNIT : INCH [mm] REV. : PC
DRAWN BY	DATE		FILE NAME	.XX	SCALE : N/A SIZE : A4
DE	12-27-05		08452G1TH6PC.DWG	.XXX	PAGE : 3



DC002(2)032305 This document is electronically generated. This is a controlled copy if used internally

THE INFORMATION CONTAINED HEREIN IS CONSIDERED "PROPRIETARY" TO BEL FUSE INC. AND SHALL NOT BE COPIED, REPRODUCED OR DISCLOSED WITHOUT THE WRITTEN APPROVAL OF BEL FUSE INC.

PRELIMINARY



NOTES:

- PLASTIC HOUSING: THERMOPLASTIC PBT
FLAMMABILITY RATING UL 94V-0
- CONTACT PLATING: 50 MICRO-INCH HARD GOLD PLATING
- OUTPUT PINS: TIN-COATED COPPER WIRE, DIA 0.018 INCH.
- METAL SHIELD: NICKEL PLATED ON COPPER ALLOY.
(ALL GROUND LEADS ARE SOLDER DIPPED)

- [1] JACK CAVITY CONFORMS TO FCC RULES AND REGULATIONS, PART 68 SUBPART F.
- [2] MARK PART WITH MFG LOGO, MFG NAME, PART NUMBER, AND DATE CODE.

RoHS COMPLIANCE, PER EU DIRECTIVE 2002/95/EC.

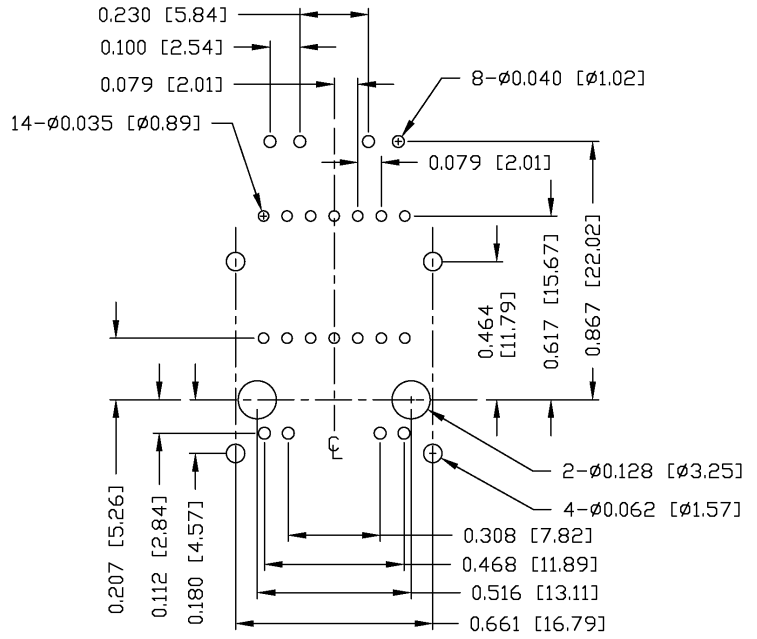
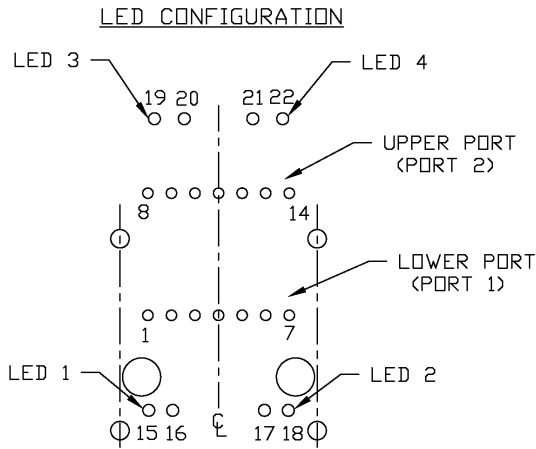
us UL RECOGNIZED - FILE #E196366 AND E169987.

ORIGINATED BY BILL/KEUNG	DATE 12-27-05	TITLE 2X1 MagJack® (with LED)	PART NO. / DRAWING NO. 0845-2G1T-H6	STANDARD DIM. TOL. IN INCH	[] METRIC DIM. AS REFERENCE	REV. : PC	PAGE : 4	 COMPONENTS ARE A CONNECTED PLANET				
DRAWN BY QIN	DATE 12-27-05		FILE NAME 08452G1TH6PC.DWG	<table border="1"> <tr><td>.X</td><td></td></tr> <tr><td>.XX</td><td></td></tr> <tr><td>.XXX</td><td>±0.010</td></tr> </table>	.X					.XX		.XXX
.X												
.XX												
.XXX	±0.010											

This document is electronically generated. This is a controlled copy if used internally

THE INFORMATION CONTAINED HEREIN IS CONSIDERED "PROPRIETARY" TO BEL FUSE INC. AND SHALL NOT BE COPIED, REPRODUCED OR DISCLOSED WITHOUT THE WRITTEN APPROVAL OF BEL FUSE INC.

PRELIMINARY



PIN-OUT INFORMATION
(COMPONENT SIDE VIEW)
(SCALE 2:1)

SUGGESTED FOOTPRINT
(COMPONENT SIDE VIEW)
(SCALE 2:1)

ORIGINATED BY BILL/KEUNG	DATE 12-27-05	TITLE 2X1 MagJack® (with LED)	PART NO. / DRAWING NO. 0845-2G1T-H6	STANDARD DIM. TOL. IN INCH	<input type="checkbox"/> METRIC DIM. AS REFERENCE	REV. : PC	
DRAWN BY QIN	DATE 12-27-05		FILE NAME 08452G1TH6PC.DWG	.X .XX .XXX	UNIT : INCH [mm] SCALE : N/A		
			±0.004			PAGE : 5	COMPONENTS FOR A CONNECTED PLANET

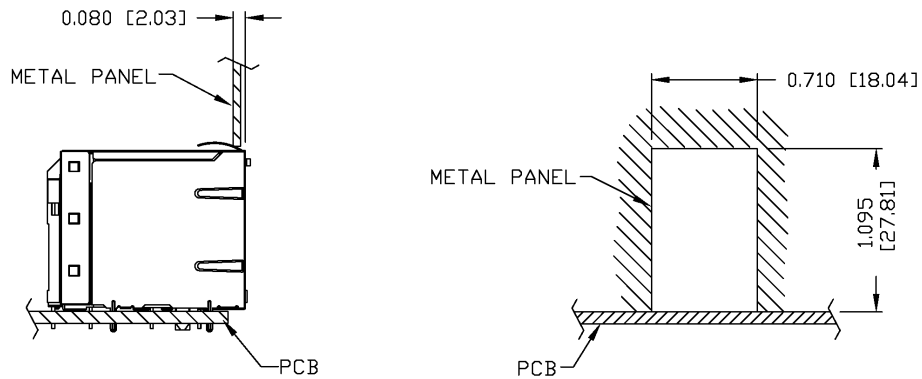
DC002(2)032305 This document is electronically generated. This is a controlled copy if used internally

THE INFORMATION CONTAINED HEREIN IS CONSIDERED "PROPRIETARY" TO BEL FUSE INC. AND SHALL NOT BE COPIED, REPRODUCED OR DISCLOSED WITHOUT THE WRITTEN APPROVAL OF BEL FUSE INC.

PRELIMINARY



SUGGESTED PANEL OPENING



NOTE:

THE DISTANCE OF PANEL INSIDE SURFACE RELATIVE TO FRONT SURFACE OF PART IS ONLY A SUGGESTION. IN CASE THIS DISTANCE IS DIFFERENT, THE REQUIRED PANEL OPENING DIMENSIONS CHANGE ACCORDINGLY.

PACKING INFORMATION

PACKING TRAY: 0200-9999-H5 (TOP)
0200-9999-H6 (BOTTOM)

PACKING QUANTITY: 40 PCS FINISHED GOODS PER TRAY
6 TRAYS (240 PCS FINISHED GOODS) PER CARTON BOX.

NOTE: CARDBOARD ARE PLACED BETWEEN LAYERS OF PACKING TRAY INSIDE CARTON BOX.
(INCLUDE THE UPPERMOST AND LOWEREST TRAY)

ORIGINATED BY BILL/KEUNG	DATE 12-27-05	TITLE 2X1 MagJack® (with LED)	PART NO. / DRAWING NO. 0845-2G1T-H6		STANDARD DIM. TOL. IN INCH		[] METRIC DIM. AS REFERENCE		bel COMPONENTS FOR A CONNECTED PLANET
			FILE NAME 08452G1TH6PC.DWG	.X .XX .XXX	±0.004	UNIT : INCH [mm] SCALE : N/A	REV. : PC SIZE : A4 PAGE : 6		

DC002(2)032305 This document is electronically generated. This is a controlled copy if used internally