

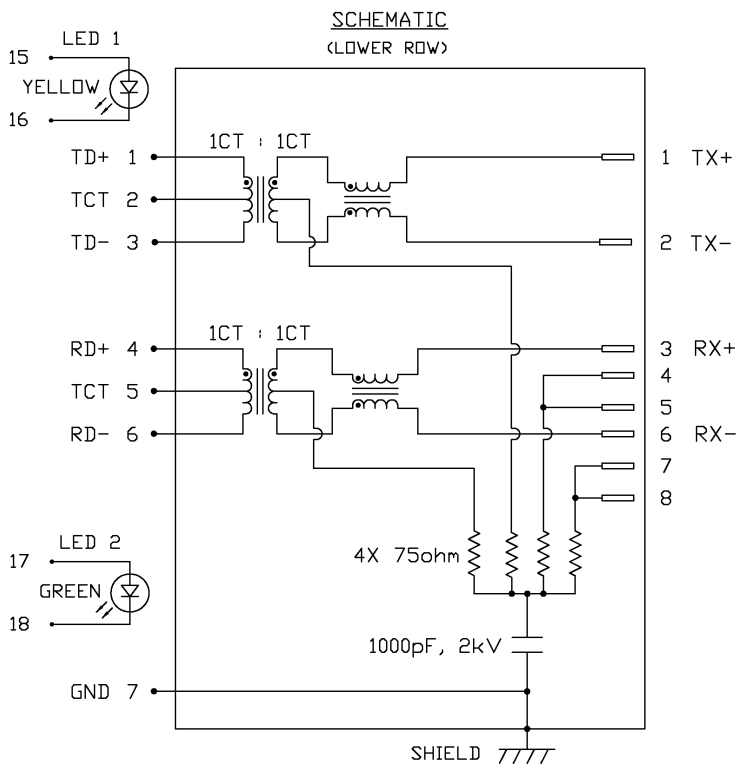
THE INFORMATION CONTAINED HEREIN IS CONSIDERED 'PROPRIETARY' TO BEL FUSE INC. AND SHALL NOT BE COPIED, REPRODUCED OR DISCLOSED WITHOUT THE WRITTEN APPROVAL OF BEL FUSE INC.

LED 1 POLARITY			LED 2 POLARITY		
PIN 15	PIN 16	COLOR	PIN 17	PIN 18	COLOR
+	-	YELLOW	+	-	GREEN



**ELECTRICAL CHARACTERISTICS @ 25°C**

<b>URNS RATIO</b>	
TX	1CT : 1CT ±3%
RX	1CT : 1CT ±3%
<b>QCL @ 100kHz/100mVRMS</b>	
8mA DC BIAS	350µH MIN.
<b>INS. LOSS</b>	
100KHz TO 100MHz	-1.1 dB MAX
<b>RET. LOSS (MIN)</b>	
1MHz-30MHz	-18 dB
60MHz-80MHz	-12 dB
<b>CM TO CM REJ</b>	
1MHz-100MHz	-35 dB TYP
<b>CROSS TALK (TX - RX)</b>	
1MHz-100MHz	-35 dB TYP
<b>LEAKAGE INDUCTANCE</b>	
PRIMARY W/ SECONDARY SHORTED	0.4µH Max. @ 1MHz
<b>INTERWINDING CAPACITANCE</b>	
PER CHANNEL (PRI. TO SEC.)	30pF TYP @ 1MHz
<b>DC RESISTANCE</b>	
(RJ1-RJ2)=(RJ3-RJ6)	1.8 ohms Max
PIN4-PIN6	1.1 ohms Max
PIN1-PIN3	1.1 ohms Max
<b>OPERATING TEMPERATURE:</b>	
	-40 TO +85 C°
<b>HIPDT (Isolation Voltage):</b>	
	1500 Vrms
<b>LED 1</b>	
V <sub>F</sub> (FORWARD VOLTAGE)	IF=20mA YELLOW 2.1V TYP.
λ <sub>D</sub> (DOMINANT WAVELENGTH)	IF=20mA YELLOW 590nm TYP.
<b>LED 2</b>	
V <sub>F</sub> (FORWARD VOLTAGE)	IF=20mA GREEN 2.2V TYP.
λ <sub>D</sub> (DOMINANT WAVELENGTH)	IF=20mA GREEN 565nm TYP.



<b>ORIGINATED BY</b> CHUNG	<b>DATE</b> 02-14-06	<b>TITLE</b> 2X1 MagJack® (with LED)	<b>PART NO. / DRAWING NO.</b> 0845-2D1T-S4	<b>STANDARD DIM. TOL. IN INCH</b>	<b>[ ] METRIC DIM. AS REFERENCE</b>
<b>DRAWN BY</b> DE	<b>DATE</b> 02-14-06		<b>FILE NAME</b> 08452D1TS4A.DWG	.X .XX .XXX	UNIT : INCH [mm] SCALE : N/A PAGE : 2



This document is electronically generated. This is a controlled copy if used internally

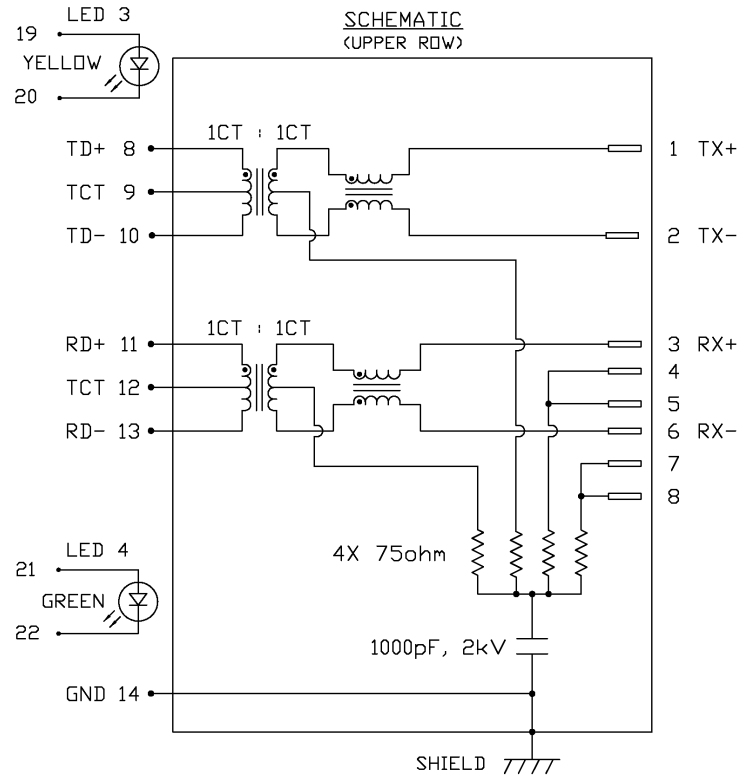
THE INFORMATION CONTAINED HEREIN IS CONSIDERED "PROPRIETARY" TO BEL FUSE INC. AND SHALL NOT BE COPIED, REPRODUCED OR DISCLOSED WITHOUT THE WRITTEN APPROVAL OF BEL FUSE INC.



LED 3 POLARITY			LED 4 POLARITY		
PIN 19	PIN 20	COLOR	PIN 21	PIN 22	COLOR
+	-	YELLOW	+	-	GREEN

ELECTRICAL CHARACTERISTICS @ 25°C

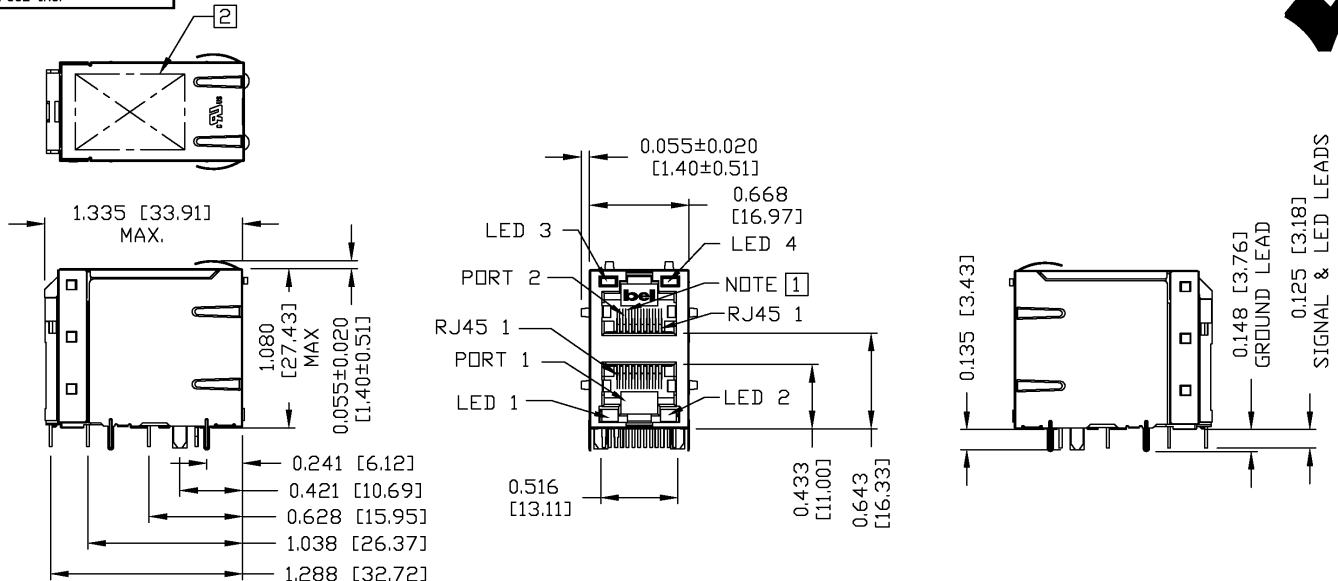
<p> <b>URNS RATIO</b>            TX 1CT : 1CT ±3%            RX 1CT : 1CT ±3%  <b>DCL @ 100kHz/100mVRMS</b>            8mA DC BIAS 350µH MIN.  <b>INS. LOSS</b>            100kHz TO 100MHz -1.1 dB MAX  <b>RET. LOSS (MIN)</b>            1MHz-30MHz -18 dB            60MHz-80MHz -12 dB  <b>CM TO CM REJ</b>            1MHz-100MHz -35 dB TYP  <b>CROSS TALK (TX - RX)</b>            1MHz-100MHz -35 dB TYP  <b>LEAKAGE INDUCTANCE</b>            PRIMARY W/ SECONDARY SHORTED 0.4uH Max. @ 1MHz  <b>INTERWINDING CAPACITANCE</b>            PER CHANNEL (PRI. TO SEC.) 30pF TYP @ 1MHz  <b>DC RESISTANCE</b>            (RJ1-RJ2)=(RJ3-RJ6) 1.8 ohms Max            PIN11-PIN13 1.1 ohms Max            PIN8-PIN10 1.1 ohms Max  <b>OPERATING TEMPERATURE:</b>            HIPOT (Isolation Voltage): 1500 Vrms    <b>LED 3 (Super bright)</b>            VF (FORWARD VOLTAGE) IF=20mA YELLOW 2.1V TYP.            λD (DOMINANT WAVELENGTH) IF=20mA YELLOW 590nm TYP.  <b>LED 4 (Super bright)</b>            VF (FORWARD VOLTAGE) IF=20mA GREEN 2.2V TYP.            λD (DOMINANT WAVELENGTH) IF=20mA GREEN 565nm TYP.         </p>
---



<b>ORIGINATED BY</b> CHUNG <b>DATE</b> 02-14-06 <b>TITLE</b> 2X1 MagJack® (with LED)	<b>PART NO. / DRAWING NO.</b> 0845-2D1T-S4 <b>FILE NAME</b> 08452D1TS4A.DWG	<b>STANDARD DIM.</b> TOL. IN INCH .X .XX .XXX	<input type="checkbox"/> METRIC DIM. AS REFERENCE UNIT : INCH [mm] SCALE : N/A	<b>REV. :</b> A <b>SIZE :</b> A4 <b>PAGE :</b> 3	 COMPONENTS ON A CONNECTED PLANET
		This document is electronically generated. This is a controlled copy if used internally			

DC002(2)032305

THE INFORMATION CONTAINED HEREIN IS CONSIDERED "PROPRIETARY" TO BEL FUSE INC. AND SHALL NOT BE COPIED, REPRODUCED OR DISCLOSED WITHOUT THE WRITTEN APPROVAL OF BEL FUSE INC.



**NOTES:**

- PLASTIC HOUSING: THERMOPLASTIC PBT  
FLAMMABILITY RATING UL 94V-0
- CONTACT PLATING: 50 MICRO-INCH HARD GOLD PLATING
- OUTPUT PINS: TIN-COATED COPPER WIRE, DIA 0.018 INCH.
- METAL SHIELD: NICKEL PLATED ON COPPER ALLOY.  
(ALL GROUND LEADS ARE SOLDER DIPPED)

- [1] JACK CAVITY CONFORMS TO FCC RULES AND REGULATIONS, PART 68 SUBPART F.
- [2] MARK PART WITH MFG LOGO, MFG NAME, PART NUMBER, AND DATE CODE.

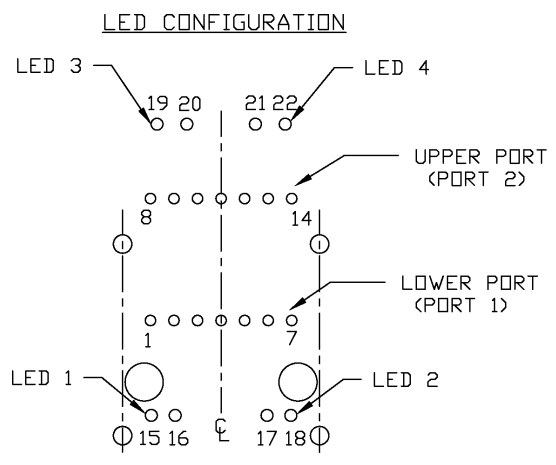
RoHS COMPLIANCE, PER EU DIRECTIVE 2002/95/EC.  
 UL RECOGNIZED - FILE #E196366 AND E169987.

ORIGINATED BY BILL/KEUNG	DATE 02-14-06	TITLE 2X1 MagJack® (with LED)	PART NO. / DRAWING NO. 0845-2D1T-S4	STANDARD DIM.		[ ] METRIC DIM. AS REFERENCE	
				TOL. IN INCH		UNIT : INCH [mm]	REV. : A
DRAWN BY QIN	DATE 02-14-06		FILE NAME 08452D1TS4A.DWG	.X	±0.010	SCALE : N/A	SIZE : A4
				.XX			
				.XXX			
						PAGE : 4	 COMPONENTS FOR A CONNECTED PLANET

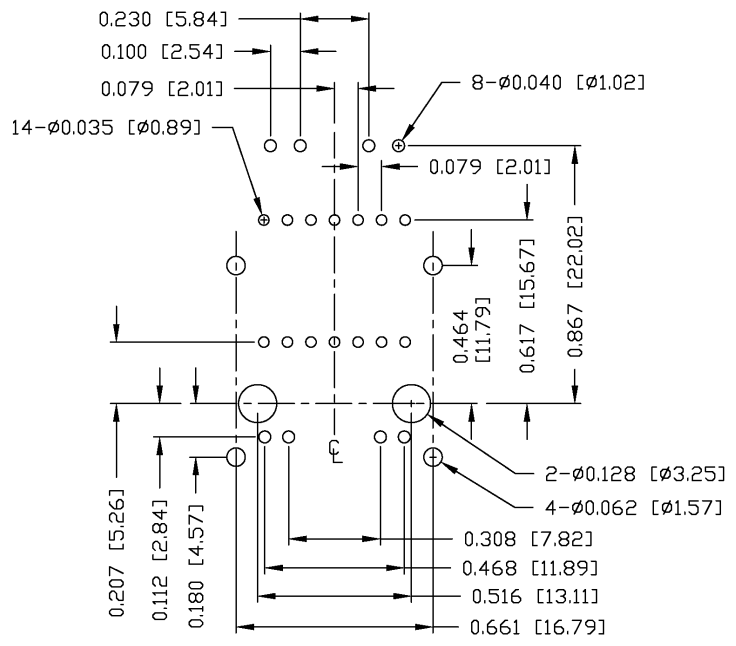
DC002(2)032305

This document is electronically generated. This is a controlled copy if used internally

THE INFORMATION CONTAINED HEREIN IS CONSIDERED "PROPRIETARY" TO BEL FUSE INC. AND SHALL NOT BE COPIED, REPRODUCED OR DISCLOSED WITHOUT THE WRITTEN APPROVAL OF BEL FUSE INC.



**PIN-OUT INFORMATION**  
 (COMPONENT SIDE VIEW)  
 (SCALE 2:1)



**SUGGESTED FOOTPRINT**  
 (COMPONENT SIDE VIEW)  
 (SCALE 2:1)

ORIGINATED BY BILL/KEUNG	DATE 02-14-06	TITLE 2X1 MagJack® (with LED)	PART NO. / DRAWING NO. 0845-2D1T-S4	STANDARD DIM. TOL. IN INCH	[ ] METRIC DIM. AS REFERENCE
			FILE NAME 08452D1TS4A.DWG	.X .XX .XXX ±0.004	UNIT : INCH [mm] SCALE : N/A REV. : A
DRAWN BY QIN	DATE 02-14-06				SIZE : A4 PAGE : 5

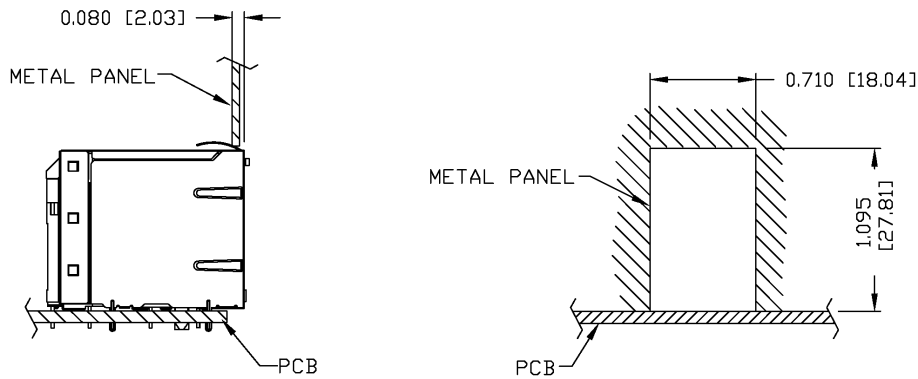


This document is electronically generated. This is a controlled copy if used internally

THE INFORMATION CONTAINED HEREIN IS CONSIDERED "PROPRIETARY" TO BEL FUSE INC. AND SHALL NOT BE COPIED, REPRODUCED OR DISCLOSED WITHOUT THE WRITTEN APPROVAL OF BEL FUSE INC.



SUGGESTED PANEL OPENING



NOTE:

THE DISTANCE OF PANEL INSIDE SURFACE RELATIVE TO FRONT SURFACE OF PART IS ONLY A SUGGESTION. IN CASE THIS DISTANCE IS DIFFERENT, THE REQUIRED PANEL OPENING DIMENSIONS CHANGE ACCORDINGLY.

PACKING INFORMATION

PACKING TRAY: 0200-9999-H5 (TOP)  
0200-9999-H6 (BOTTOM)

PACKING QUANTITY: 40 PCS FINISHED GOODS PER TRAY  
6 TRAYS (240 PCS FINISHED GOODS) PER CARTON BOX.

NOTE: CARDBOARD ARE PLACED BETWEEN LAYERS OF PACKING TRAY INSIDE CARTON BOX.  
(INCLUDE THE UPPERMOST AND LOWEREST TRAY)

ORIGINATED BY BILL/KEUNG	DATE 02-14-06	TITLE 2X1 MagJack® (with LED)	PART NO. / DRAWING NO. 0845-2D1T-S4	STANDARD DIM. TOL. IN INCH	[ ] METRIC DIM. AS REFERENCE
DRAWN BY QIN	DATE 02-14-06		FILE NAME 08452D1TS4A.DWG	.X .XX .XXX	UNIT : INCH [mm] SCALE : N/A
				±0.004	



DC002(2)032305 This document is electronically generated. This is a controlled copy if used internally