

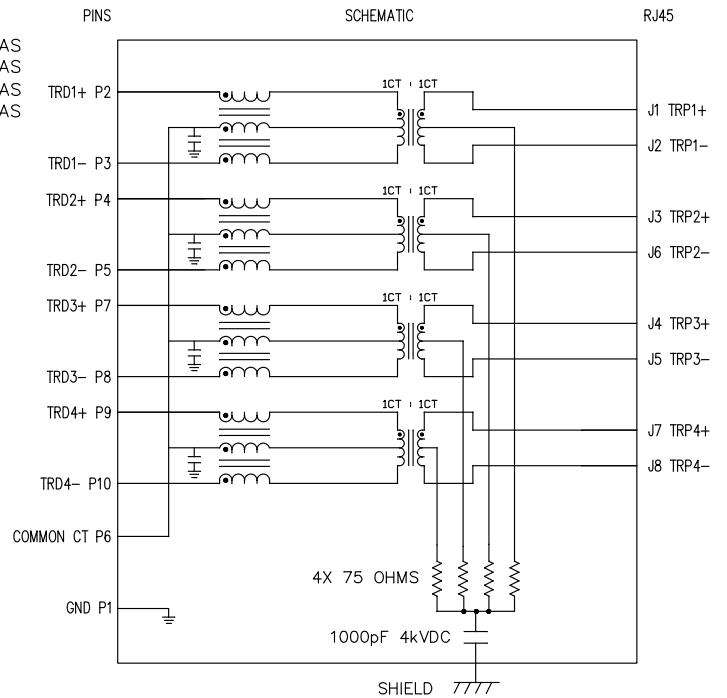


THE INFORMATION CONTAINED HEREIN IS CONSIDERED "PROPRIETARY" TO BEL FUSE INC. AND SHALL NOT BE COPIED, REPRODUCED OR DISCLOSED WITHOUT THE WRITTEN APPROVAL OF BEL FUSE INC.



**ELECTRICAL CHARACTERISTICS @ 25°C**

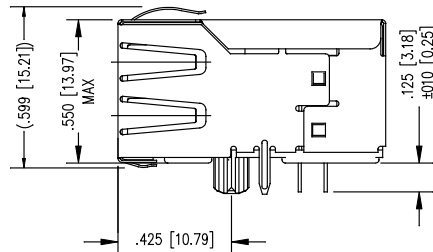
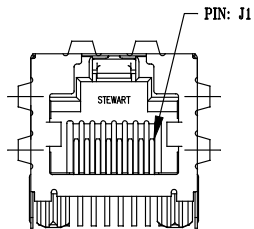
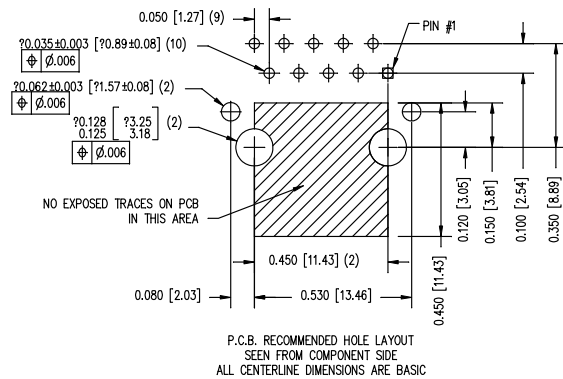
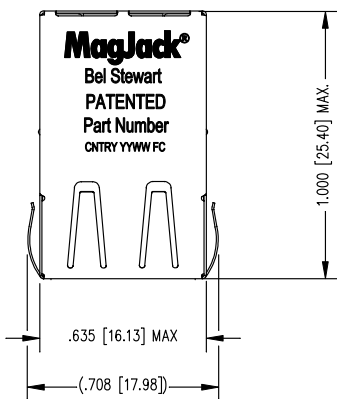
- 1.0 INDUCTANCE:  
 (P2-P3) : 350uH MIN. @ 0.1V, 100KHz, 8mA DC BIAS  
 (P4-P5) : 350uH MIN. @ 0.1V, 100KHz, 8mA DC BIAS  
 (P7-P8) : 350uH MIN. @ 0.1V, 100KHz, 8mA DC BIAS  
 (P9-P10) : 350uH MIN. @ 0.1V, 100KHz, 8mA DC BIAS
- 2.0 TURNS RATIO:  
 (P2-P3):(J1-J2) : 1CT : 1CT ± 2%  
 (P4-P5):(J3-J6) : 1CT : 1CT ± 2%  
 (P7-P8):(J4-J5) : 1CT : 1CT ± 2%  
 (P9-P10):(J7-J8) : 1CT : 1CT ± 2%
- 3.0 RETURN LOSS: 100 OHM REF.  
 500kHz TO 40MHz : -18dB MIN.  
 40MHz TO 100MHz : -12+20LOG(f/80MHz) MIN.
- 4.0 INSERTION LOSS: RS=RL=100 OHMS  
 100kHz TO 100MHz : -1.2dB MAX.
- 5.0 CROSS TALK: Ch1-Ch2, Ch1-Ch3, Ch1-Ch4, Ch2-Ch3, Ch2-Ch4, Ch3-Ch4  
 1MHz TO 30MHz : -35dB MIN.  
 30MHz TO 80MHz : -24dB MIN.  
 80MHz TO 100MHz : -25dB MIN.
- 6.0 CM TO CM REJECTION:  
 100kHz TO 100MHz : -30dB MIN.
- 7.0 CM TO DM REJECTION:  
 100kHz TO 100MHz : -35dB MIN.
- 8.0 VOLTAGE WITHSTAND:  
 (J1,J2) TO (P2,P3) : 1500Vrms  
 (J3,J6) TO (P4,P5) : 1500Vrms  
 (J4,J5) TO (P7,P8) : 1500Vrms  
 : 1500Vrms
- 9.0 THIS COMPONENT IS A PATENT PRODUCT;US PATENT NUMBER 7,123,117.



ORIGINATED BY <b>RS Zhang</b>	DATE <b>04-22-10</b>	TITLE <b>MagJack® 10/100/1000BT TAB UP SHIELDED PATENTED</b>	PART NO. / DRAWING NO. <b>SI-51014-F</b>	STANDARD DIM. TOL. IN INCH .X .XX .XXX ±0.005	[ ] METRIC DIM. AS REFERENCE UNIT : INCH [mm] SCALE : N/A REV. : A1 SIZE : A4 PAGE : 2	<b>bel</b> COMPONENTS FOR A COMPLETED PLANET
DRAWN BY <b>RS Zhang</b>	DATE <b>04-22-10</b>		FILE NAME <b>SI-51014-F.DWG</b>			

FM990185 REV B1 This document is electronically generated. This is a controlled copy if used internally

THE INFORMATION CONTAINED HEREIN IS CONSIDERED "PROPRIETARY" TO BEL FUSE INC. AND SHALL NOT BE COPIED, REPRODUCED OR DISCLOSED WITHOUT THE WRITTEN APPROVAL OF BEL FUSE INC.



NOTES:

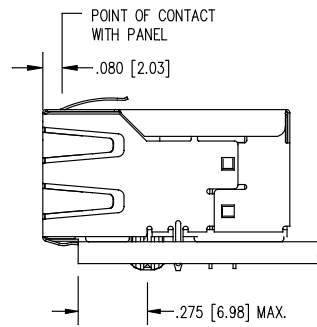
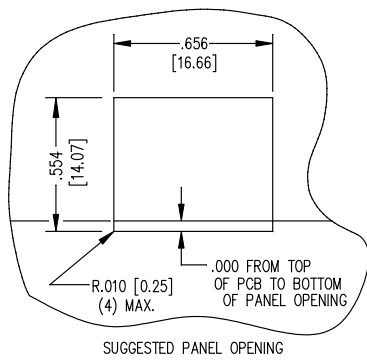
- CONNECTOR MATERIALS:  
HOUSING: THERMOPLASTIC UL94 V-0  
CONTACT/SHIELD: COPPER ALLOY  
SHIELD PLATING: NICKEL OR TIN  
CONTACT PLATING: SELECTIVE GOLD,  
50 MICRO-INCHES MIN. IN CONTACT AREA.
- PIN NOT ELECTRICALLY CONNECTED MAYBE OMITTED.  
SEE ELECTRICAL DRAWING FOR OMITTED PINS.
- TOLERANCES COMPLY WITH F.C.C. DIMENSION REQUIREMENTS.
- ALL TOLERANCES NOT OTHERWISE SPECIFIED TO BE ±.005 [0.13]
- WAVE SOLDER COMPATIBLE - PREHEAT 125°C/90SECS.  
HIGH TEMPERATURE REFLOW COMPATIBLE - 230°C/90 SEC MAX.

ORIGINATED BY <b>RS Zhang</b>	DATE <b>04-22-10</b>	TITLE <b>MagJack® 10/100/1000BT TAB UP SHIELDED PATENTED</b>	PART NO. / DRAWING NO. <b>SI-51014-F</b>	STANDARD DIM. TOL. IN INCH <b>.XX .XX .XXX ±0.005</b>	[ ] METRIC DIM. AS REFERENCE UNIT : INCH [mm] SCALE : N/A [Symbol]	REV. : <b>A1</b> SIZE : <b>A4</b> PAGE : <b>3</b>	<b>COMPONENTS FOR A COMPLETED PLANET</b>
DRAWN BY <b>RS Zhang</b>	DATE <b>04-22-10</b>		FILE NAME <b>SI-51014-F.DWG</b>				

FM990185 REV B1

This document is electronically generated. This is a controlled copy if used internally

THE INFORMATION CONTAINED HEREIN IS CONSIDERED "PROPRIETARY" TO BEL FUSE INC. AND SHALL NOT BE COPIED, REPRODUCED OR DISCLOSED WITHOUT THE WRITTEN APPROVAL OF BEL FUSE INC.



1. THE SUGGESTED PANEL OPENING IS INTENDED TO GIVE THE USER THE ABILITY TO HAVE REASONABLE JACK / PANEL CLEARANCES YET MAINTAIN RELIABLE GROUNDING CAPABILITY.
2. ALL TOLERANCES NOT OTHERWISE SPECIFIED TO BE  $\pm 0.005$  [0.13]

ORIGINATED BY <b>RS Zhang</b>	DATE <b>04-22-10</b>	TITLE <b>MagJack® 10/100/1000BT TAB UP SHIELDED PATENTED</b>	PART NO. / DRAWING NO. <b>SI-51014-F</b>	STANDARD DIM. TOL. IN INCH .X .XX .XXX ±0.005	[ ] METRIC DIM. AS REFERENCE UNIT : INCH [mm] SCALE : N/A [Symbol]	REV. : <b>A1</b> SIZE : <b>A4</b> PAGE : <b>4</b>	<b>bel</b> COMPONENTS FOR A CONNECTED PLANET
DRAWN BY <b>RS Zhang</b>	DATE <b>04-22-10</b>		FILE NAME <b>SI-51014-F.DWG</b>				

FM990185 REV B1

This document is electronically generated. This is a controlled copy if used internally