

THE INFORMATION CONTAINED HEREIN IS CONSIDERED "PROPRIETARY" TO BEL FUSE INC. AND SHALL NOT BE COPIED, REPRODUCED OR DISCLOSED WITHOUT THE WRITTEN APPROVAL OF BEL FUSE INC.



DOCUMENT / PART NO.: SI-52004-F

TITLE : POE, TAB UP, SHIELDED

ISSUE	DESCRIPTION OF CHANGE	REVIEWED BY	APPROVED BY	ECN#
01	Release for sample building.	David Chan	STEVEN WELLER	06281

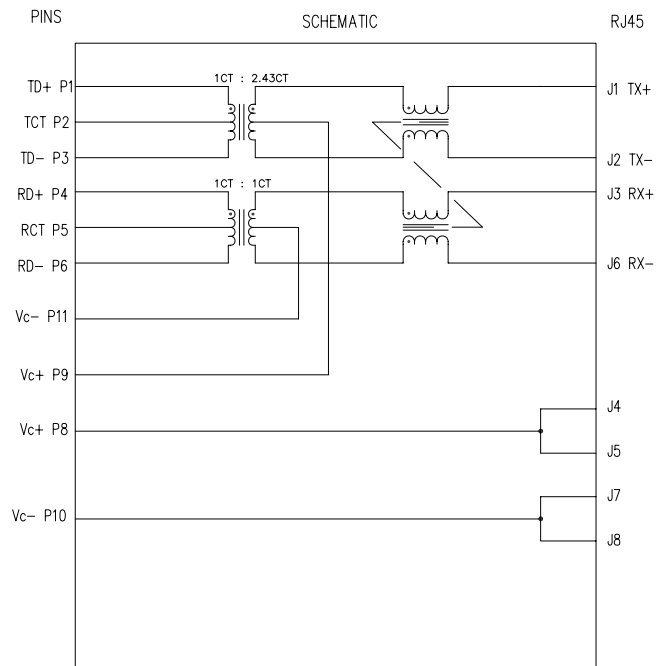
PAGE	1	2	3	---	---	---	---	---	---	---	---	---	---	---	---	---	---	---
REV.	01	01	01	---	---	---	---	---	---	---	---	---	---	---	---	---	---	---
PAGE	---	---	---	---	---	---	---	---	---	---	---	---	---	---	24-0444-F	REV	A0	
REV.	---	---	---	---	---	---	---	---	---	---	---	---	---	---	C5156-F	REV	01	

THE INFORMATION CONTAINED HEREIN IS CONSIDERED "PROPRIETARY" TO BEL FUSE INC. AND SHALL NOT BE COPIED, REPRODUCED OR DISCLOSED WITHOUT THE WRITTEN APPROVAL OF BEL FUSE INC.



ELECTRICAL CHARACTERISTICS @ 25°C

- 1.0 TURNS RATIO: (P1-P3) : (J1-J2) : 1CT : 2.43CT ± 2%
(P4-P6) : (J3-J6) : 1CT : 1CT ± 2%
- 3.0 INDUCTANCE: (P1-P3) : 45uH MIN. @ 0.1V, 100KHz
(P4-P6) : 230uH MIN. @ 0.1V, 100KHz
- 4.0 RETURN LOSS: (P1-P3)=100 OHMS REF. AND (P4-P6)=100 OHM REF.
1MHz TO 10MHz : -18dB MIN.
- 5.0 INSERTION LOSS: RS & RL =100 ohms
1MHz TO 10MHz : -1.0dB MAX
- 6.0 CROSS TALK: 1MHz - 10 MHz : -40dB MIN
- 7.0 CM TO CM ATTENUATION: 10MHz - 30 MHz : -40dB MIN
100MHz : -30dB MIN
- 8.0 DIELECTRIC WITHSTAND: (P1-P3) TO (J1-J2) : 1500 Vrms
(P4-P6) TO (J3-J6) : 1500 Vrms



ORIGINATED BY Bain Liu	DATE 12-10-08	TITLE MagJack® POE TAB UP, SHIELDED	PART NO. / DRAWING NO. SI-52004-F	STANDARD DIM. TOL. IN INCH	<input type="checkbox"/> METRIC DIM. AS REFERENCE	bel COMPOSITION & PLANNING
DRAWN BY LW Yuan	DATE 12-10-08		FILE NAME SI-52004-F.DWG	.X .XX .XXX ±0.005	UNIT : INCH [mm] SCALE : N/A 	

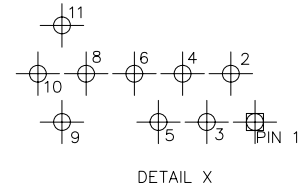
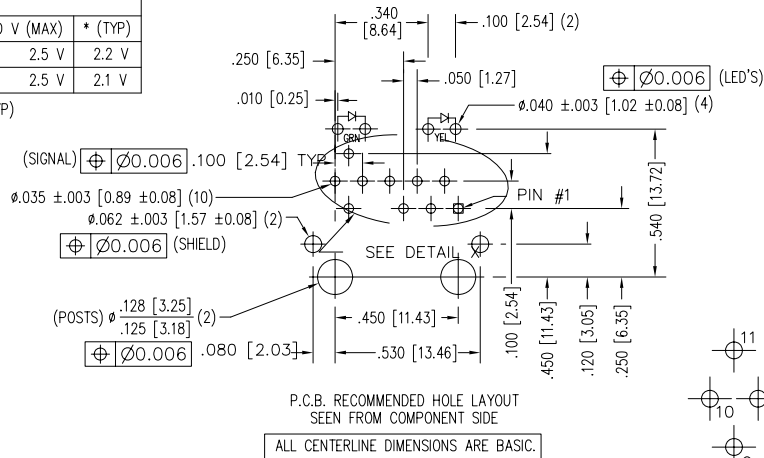
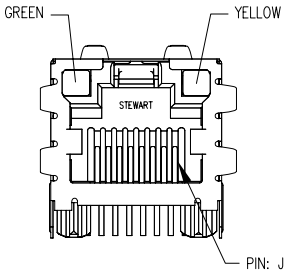
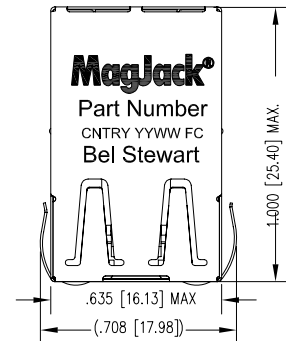
REV A1 06-30-2008 This document is electronically generated. This is a controlled copy if used internally

THE INFORMATION CONTAINED HEREIN IS CONSIDERED "PROPRIETARY" TO BEL FUSE INC. AND SHALL NOT BE COPIED, REPRODUCED OR DISCLOSED WITHOUT THE WRITTEN APPROVAL OF BEL FUSE INC.

RoHS
2002/95/EC

LED SPECIFICATION			
STANDARD LED	WAVELENGTH	FORWARD V (MAX)	* (TYP)
GREEN	565 nm	2.5 V	2.2 V
YELLOW	590 nm	2.5 V	2.1 V

*WITH A FORWARD CURRENT OF 20 mA (TYP)



NOTES:

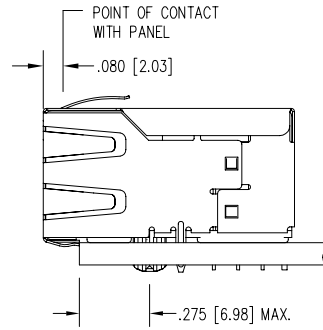
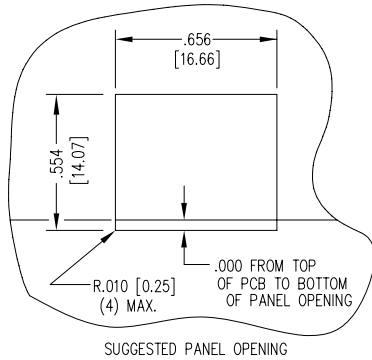
- CONNECTOR MATERIALS:
HOUSING: THERMOPLASTIC UL94 V-0
CONTACT/SHIELD: COPPER ALLOY
SHIELD PLATING: NICKEL OR TIN
CONTACT PLATING: SELECTIVE GOLD,
50 MICRO-INCHES MIN. IN CONTACT AREA.
- PIN NOT ELECTRICALLY CONNECTED MAYBE OMITTED.
SEE ELECTRICAL DRAWING FOR OMITTED PINS.
- TOLERANCES COMPLY WITH F.C.C. DIMENSION REQUIREMENTS.
- ALL TOLERANCES NOT OTHERWISE SPECIFIED TO BE ±.005 [0.13]
- REFLOW AND WAVE SOLDER COMPATIBLE -260°C FOR 10 SECONDS MAX.

ORIGINATED BY Bain Liu	DATE 12-10-08	TITLE MagJack POE TAB UP, SHIELDED	PART NO. / DRAWING NO. SI-52004-F	STANDARD DIM. TOL. IN INCH	[] METRIC DIM. AS REFERENCE	
DRAWN BY LW Yuan	DATE 12-10-08	FILE NAME SI-52004-F.DWG	.X .XX .XXX	UNIT : INCH [mm] SCALE : N/A	REV. : 01 SIZE : A4	
			±0.005		PAGE : 3	

REV A1 06-30-2008

This document is electronically generated. This is a controlled copy if used internally

THE INFORMATION CONTAINED HEREIN IS CONSIDERED "PROPRIETARY" TO BEL FUSE INC. AND SHALL NOT BE COPIED, REPRODUCED OR DISCLOSED WITHOUT THE WRITTEN APPROVAL OF BEL FUSE INC.



1. THE SUGGESTED PANEL OPENING IS INTENDED TO GIVE THE USER THE ABILITY TO HAVE REASONABLE JACK / PANEL CLEARANCES YET MAINTAIN RELIABLE GROUNDING CAPABILITY.
2. ALL TOLERANCES NOT OTHERWISE SPECIFIED TO BE ± 0.005 [0.13]

ORIGINATED BY Bain Liu	DATE 12-10-08	TITLE MagJack® POE TAB UP, SHIELDED	PART NO. / DRAWING NO. SI-52004-F	STANDARD DIM. TOL. IN INCH	[] METRIC DIM. AS REFERENCE	bel COMPONENTS FOR A PLANET
DRAWN BY LW Yuan	DATE 12-10-08		FILE NAME SI-52004-F.DWG	.X .XX .XXX	UNIT : INCH [mm] SCALE : N/A PAGE : 4	

REV A1 06-30-2008

This document is electronically generated. This is a controlled copy if used internally