

THE INFORMATION CONTAINED HEREIN IS CONSIDERED "PROPRIETARY" TO BEL FUSE INC. AND SHALL NOT BE COPIED, REPRODUCED OR DISCLOSED WITHOUT THE WRITTEN APPROVAL OF BEL FUSE INC.

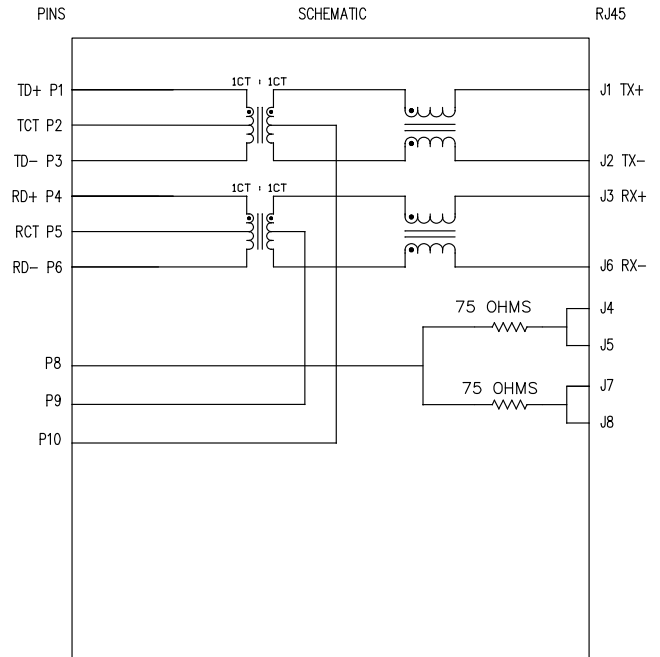
PRELIMINARY



**ELECTRICAL CHARACTERISTICS @ 25°C**

- 1.0 INDUCTANCE:
  - (P6-P4) : 350uH MIN. @ 0.1V, 100KHz, 8mA DC BIAS
  - (P3-P1) : 350uH MIN. @ 0.1V, 100KHz, 8mA DC BIAS
- 2.0 TURNS RATIO:
  - (P6-P5-P4):(J6-J3) : 1CT : 1CT ± 3%
  - (P3-P2-P1):(J2-J1) : 1CT : 1CT ± 3%
- 3.0 LEAKAGE INDUCTANCE:
  - (P6-P4) WITH J6-J3 SHORT : 0.3uH MAX. @1MHZ
  - (P3-P1) WITH J2-J1 SHORT : 0.3uH MAX. @1MHZ
- 4.0 INTERWINDING CAPACITANCE:
  - (P6-P5-P4) TO (J6-J3) : 30pF MAX. @1MHZ
  - (P3-P2-P1) TO (J2-J1) : 30pF MAX. @1MHZ
- 5.0 DC RESISTANCE:
  - (J6-J3) : 1.2 OHMS MAX.
  - (J2-J1) : 1.2 OHMS MAX.
- 6.0 RETURN LOSS: (P6-P4)=100 OHMS AND (P1-P3)=100 OHM REF.
  - 1MHz TO 30MHz : 18dB MIN.
  - 60MHz TO 80MHz : 12dB MIN.

NOTE: 100 OHMS CONNECTED TO (J2-J1) OR (J6-J3).
- 7.0 DIELECTRIC WITHSTAND:
  - (J1, J2) TO (P1, P3) : 1500 VAC
  - (J3, J6) TO (P4,P6) : 1500 VAC
- 8.0 INSERTION LOSS: RS=RL=100 ohms
  - 100KHz TO 100MHz : 1.1 dB TYP
- 9.0 RISE TIME: RS=100 OHMS AND RL = 100 OHMS
  - OUTPUT VOLTAGE = 1 V peak : 3.0 nS MAX
  - PULSE WIDTH= 112nS : 3.0 nS MAX
- 10. CROSS TALK:
  - 1MHz TO 100MHz : 40 dB TYP
- 11.0 COMMON TO COMMON MODE ATTENUATION:
  - 30MHz TO 100MHz : 35dB TYP
- 12.0 CURRENT CAPABILITY: : 350mA MAX.



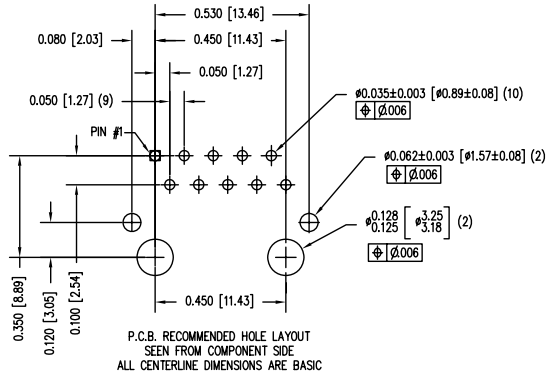
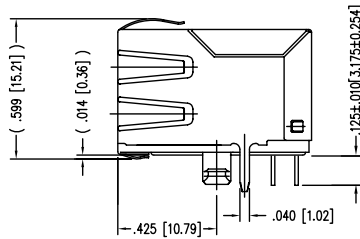
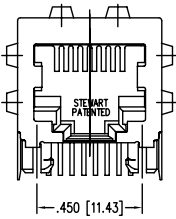
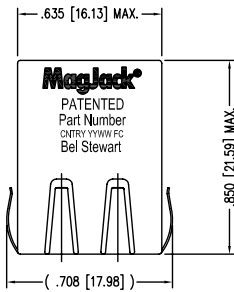
NOTE: PINS WITHOUT ELECTRICAL CONNECTION ARE OMITTED

ORIGINATED BY <b>RS ZHANG</b>	DATE <b>03-25-10</b>	TITLE <b>MagJack®</b> 10/100BT TAB DOWN,SHIELDED PATENTED	PART NO. / DRAWING NO. <b>SI-62004-F</b>	STANDARD DIM. TOL. IN INCH .X .XX .XXX ±0.005	[ ] METRIC DIM. AS REFERENCE UNIT : INCH [mm] SCALE : N/A REV. : X0 SIZE : A4 PAGE : 2	<b>bel</b> COMPONENTS FOR A CONNECTED PLANT
DRAWN BY <b>RS ZHANG</b>	DATE <b>03-25-10</b>		FILE NAME <b>SI-62004-F.DWG</b>			

FM99185 REV B1

This document is electronically generated. This is a controlled copy if used internally

THE INFORMATION CONTAINED HEREIN IS CONSIDERED "PROPRIETARY" TO BEL FUSE INC. AND SHALL NOT BE COPIED, REPRODUCED OR DISCLOSED WITHOUT THE WRITTEN APPROVAL OF BEL FUSE INC.



NOTES:

- CONNECTOR MATERIALS:  
HOUSING: THERMOPLASTIC UL94 V-0  
CONTACT/SHIELD: COPPER ALLOY  
SHIELD PLATING: NICKEL OR TIN  
CONTACT PLATING: SELECTIVE GOLD,  
50 MICRO-INCHES MIN. IN CONTACT AREA.
- PIN NOT ELECTRICALLY CONNECTED MAYBE OMITTED. SEE ELECTRICAL DRAWING FOR OMITTED PINS.
- TOLERANCES COMPLY WITH F.C.C. DIMENSION REQUIREMENTS.
- ALL TOLERANCES NOT OTHERWISE SPECIFIED TO BE ±.005 [0.13]
- WAVE SOLDER COMPATIBLE - PREHEAT 125°C/90SECS.  
HIGH TEMPERATURE REFLOW COMPATIBLE - 230°C/90 SEC MAX. CAPABILITY.

ORIGINATED BY	DATE	TITLE	PART NO. / DRAWING NO.	STANDARD DIM.	[ ] METRIC DIM. AS REFERENCE	
RS ZHANG	03-25-10	 10/100BT TAB DOWN, SHIELDED PATENTED	SI-62004-F	TOL. IN INCH	UNIT : INCH [mm]	REV. : X0
DRAWN BY	DATE		FILE NAME	.X	SCALE : N/A	SIZE : A4
RS ZHANG	03-25-10		SI-62004-F.DWG	.XX		
			.XXX	±0.005		

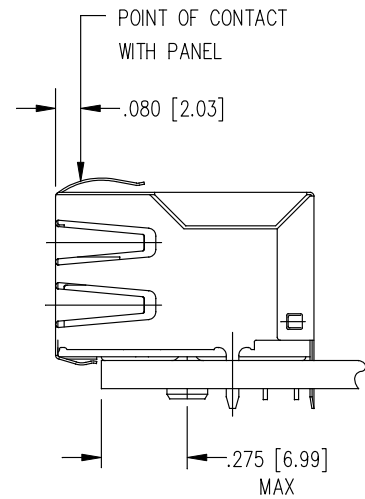
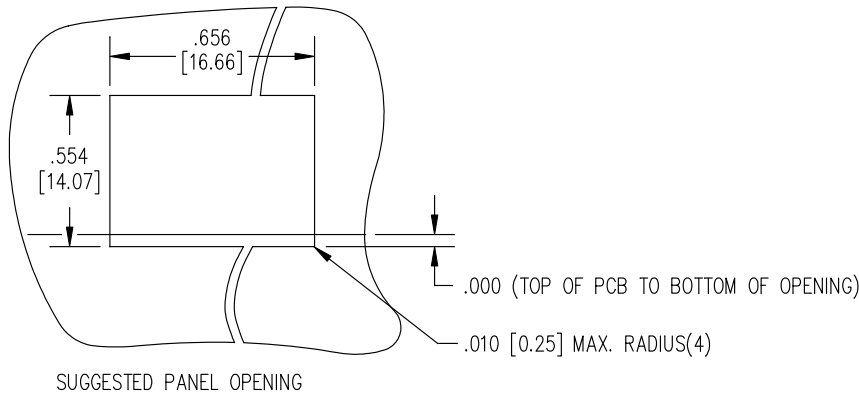


FM99185 REV B1

This document is electronically generated. This is a controlled copy if used internally

THE INFORMATION CONTAINED HEREIN IS CONSIDERED "PROPRIETARY" TO BEL FUSE INC. AND SHALL NOT BE COPIED, REPRODUCED OR DISCLOSED WITHOUT THE WRITTEN APPROVAL OF BEL FUSE INC.

PRELIMINARY



THE SUGGESTED PANEL OPENING IS INTENDED TO GIVE THE USER THE ABILITY TO HAVE REASONABLE JACK / PANEL CLEARANCES YET MAINTAIN RELIABLE GROUNDING CAPABILITY.

ORIGINATED BY	DATE	TITLE	PART NO. / DRAWING NO.	STANDARD DIM. TOL. IN INCH	[ ] METRIC DIM. AS REFERENCE
RS ZHANG	03-25-10	<b>MagJack®</b> 10/100BT TAB DOWN, SHIELDED PATENTED	SI-62004-F	.X	UNIT : INCH [mm]
DRAWN BY	DATE		FILE NAME	.XX	SCALE : N/A
RS ZHANG	03-25-10		SI-62004-F.DWG	.XXX ±0.005	SIZE : A4
					PAGE : 4



FM999185 REV B1

This document is electronically generated. This is a controlled copy if used internally