

THE INFORMATION CONTAINED HEREIN IS CONSIDERED "PROPRIETARY" TO BEL FUSE INC. AND SHALL NOT BE COPIED, REPRODUCED OR DISCLOSED WITHOUT THE WRITTEN APPROVAL OF BEL FUSE INC.

RoHS
2002/95/EC

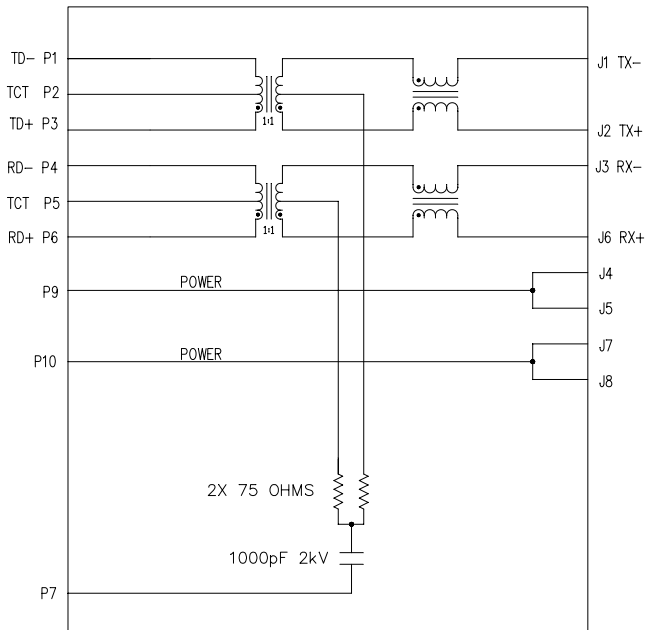


ELECTRICAL CHARACTERISTICS @ 25°C

CURRENT CAPABILITY FOR POWER LINES: 400 mA MAX

1.0 INDUCTANCE:		
(P6-P4)	350uH MIN. @ 0.1V, 100KHz, 8mA DC BIAS	
(P3-P1)	350uH MIN. @ 0.1V, 100KHz, 8mA DC BIAS	
2.0 TURNS RATIO:		
(P6-P5-P4): (J6-J3)	1CT : 1CT ± 3%	
(P3-P2-P1): (J2-J1)	1CT : 1CT ± 3%	
3.0 LEAKAGE INDUCTANCE:		
P6-P4 (WITH J6 AND J3 SHORT)	0.3 uH MAX. @ 1MHz	
P3-P1 (WITH J2 AND J1 SHORT)	0.3 uH MAX. @ 1MHz	
4.0 INTERWINDING CAPACITANCE:		
(P6,P5,P4) TO (J6,J3)	30pF MAX. @ 1 MHz	
(P3,P2,P1) TO (J2,J1)	30pF MAX. @ 1 MHz	
5.0 DC RESISTANCE:		
(J6-J3)=(J2-J1)	1.2 OHMS MAX.	
6.0 RETURN LOSS: (P6-P4)=100 OHMS AND (P1-P3)=100 OHM REF.		
1MHz TO 30MHz	-18dB MIN.	
60MHz TO 80MHz	-12dB MIN.	
NOTE: 100 OHMS CONNECTED TO (J2-J1) OR (J6-J3).		
7.0 DIELECTRIC WITHSTAND:		
(J1, J2) TO (P1, P3)	1500 VAC	
(J3, J6) TO (P4,P6)	1500 VAC	
8.0 INSERTION LOSS: RS=RL=100 ohms		
100KHz TO 100MHz	-1.1 dB	
9.0 RISE TIME: RS=100 OHMS AND RL = 100 OHMS		
OUTPUT VOLTAGE = 1 V peak	3.0 nS MAX	
PULSE WIDTH= 112nS	3.0 nS MAX	
10.0 CROSS TALK:		
1MHz TO 100MHz	-40 dB TYP	
11.0 COMMON TO COMMON MODE ATTENUATION:		
30MHz TO 100MHz	-35dB TYP	

PINS SCHEMATIC RJ45



NOTES
1.0 PINS WITHOUT ELECTRICAL CONNECTION ARE OMITTED

ORIGINATED BY	DATE
Bain Liu	07-23-08
DRAWN BY	DATE
R.S. Zhang	07-23-08

TITLE	MagJack® 10/100BT VERTICAL, SHIELDED
-------	---

PART NO. / DRAWING NO.	SI-46004-F
FILE NAME	SI-46004-F.DWG

STANDARD DIM. TOL. IN INCH	[] METRIC DIM. AS REFERENCE
.X	UNIT : INCH [mm]
.XX	SCALE : N/A
.XXX	±0.005

REV. : A0	SIZE : A4
PAGE : 1	



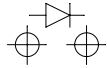
REV A1 06-30-2008

This document is electronically generated. This is a controlled copy if used internally



THE INFORMATION CONTAINED HEREIN IS CONSIDERED PROPRIETARY TO BEL FUSE INC. AND SHALL NOT BE COPIED, REPRODUCED OR DISCLOSED WITHOUT THE WRITTEN APPROVAL OF BEL FUSE INC.

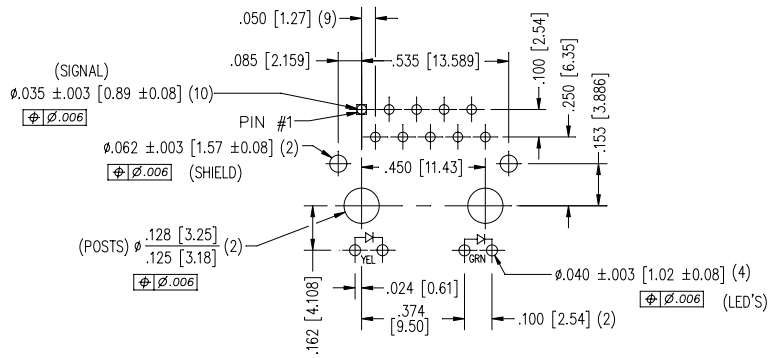
LED POLARITY
(ENLARGED VIEW)



SINGLE COLOR LED

LED SPECIFICATION			
STANDARD LED	WAVELENGTH	FORWARD V (MAX)	*(TYP)
GREEN	565 nm	2.5 V	2.2 V
YELLOW	590 nm	2.5 V	2.1 V

*WITH A FORWARD CURRENT OF 20 mA (TYP)

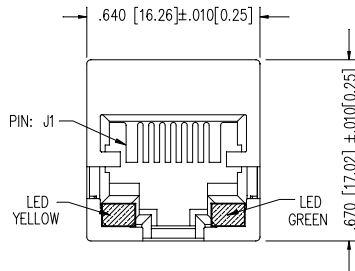
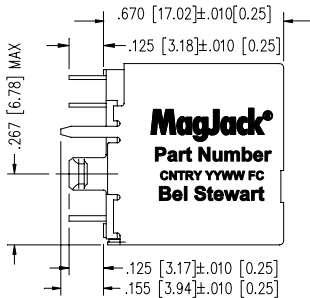


P.C.B. RECOMMENDED HOLE LAYOUT
SEEN FROM COMPONENT SIDE

ALL CENTERLINE DIMENSIONS ARE BASIC.

NOTES:

- CONNECTOR MATERIALS:
HOUSING: THERMOPLASTIC UL94 V-0
CONTACT/SHIELD: COPPER ALLOY
SHIELD PLATING: NICKEL OR TIN
CONTACT PLATING: SELECTIVE GOLD,
50 MICRO-INCHES MIN. IN CONTACT AREA.
- PIN NOT ELECTRICALLY CONNECTED MAYBE OMITTED.
SEE ELECTRICAL DRAWING FOR OMITTED PINS.
- TOLERANCES COMPLY WITH F.C.C. DIMENSION REQUIREMENTS.
- ALL TOLERANCES NOT OTHERWISE SPECIFIED TO BE $\pm .005$ [0.13]
- REFLOW AND WAVE SOLDER COMPATIBLE -260°C FOR 10 SECONDS MAX.



ORIGINATED BY	DATE	TITLE	PART NO. / DRAWING NO.	STANDARD DIM. TOL. IN INCH	[] METRIC DIM. AS REFERENCE		
Bain Liu	07-23-08	MagJack® 10/100BT VERTICAL, SHIELDED	SI-46004-F	.X	UNIT : INCH [mm]		REV. : A0
DRAWN BY	DATE		FILE NAME	.XX	SCALE : N/A		SIZE : A4
R.S. Zhang	07-23-08		SI-46004-F.DWG	.XXX	±0.005	PAGE : 2	