

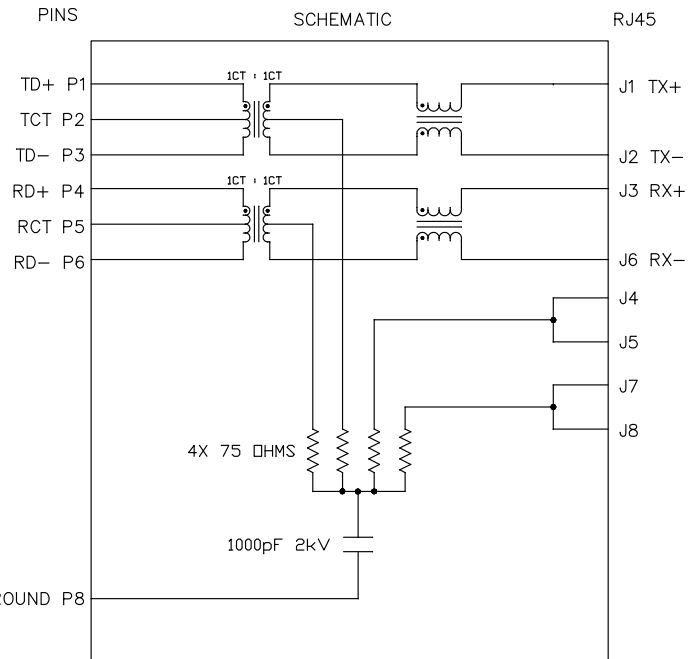


THE INFORMATION CONTAINED HEREIN IS CONSIDERED "PROPRIETARY" TO BEL FUSE INC. AND SHALL NOT BE COPIED, REPRODUCED OR DISCLOSED WITHOUT THE WRITTEN APPROVAL OF BEL FUSE INC.



### ELECTRICAL CHARACTERISTICS @ 25°C

- 1.0 INDUCTANCE: (P6-P4) : 350uH MIN. @ 0.1V, 100KHz, 8mA DC BIAS  
(P3-P1) : 350uH MIN. @ 0.1V, 100KHz, 8mA DC BIAS
- 2.0 TURNS RATIO: (P6-P4):(J6-J3) : 1CT : 1CT ± 3%  
(P3-P1):(J2-J1) : 1CT : 1CT ± 3%
- 3.0 DC RESISTANCE: (J6-J3)=(J2-J1) : 1.5 OHMS MAX.
- 4.0 INSERTION LOSS: 100kHz TO 100MHz : -1.1dB TYP.
- 5.0 RETURN LOSS: 100 OHMS SOURCE APPLIED TO J-PINS  
1MHz TO 30MHz : -18dB MIN.  
60MHz TO 80MHz : -12dB MIN.  
NOTE: 100 OHMS CONNECTED TO (P6-P4) OR (P1-P3)
- 6.0 CROSS TALK: 1MHz TO 100MHz : -40dB TYP.
- 7.0 COMMON TO COMMON MODE ATTENUATION: 30MHz TO 100MHz : -35dB TYP.
- 8.0 RISE TIME: OUTPUT VOLTAGE=1 V PEAK : 3.0 nS MAX  
PULSE WIDTH=112ns : 3.0 nS MAX
- 9.0 VOLTAGE WITHSTAND: (J1,J2) TO (P1,P3) : 1500Vrms  
(J3,J6) TO (P4,P6) : 1500Vrms
- 10.0 OPERATING TEMPERATURE RANGE: -40°C TO 85°C



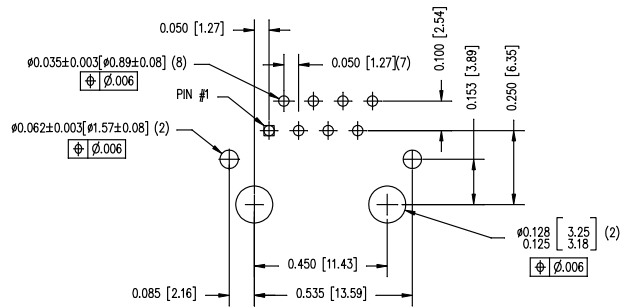
NOTES: 1.0 PINS WITHOUT ELECTRICAL CONNECTION ARE OMITTED.

ORIGINATED BY <b>X.B Wei</b>	DATE <b>05-27-10</b>	TITLE <b>MagJack®</b>	PART NO. / DRAWING NO. <b>SI-16003-F</b>	STANDARD DIM. TOL. IN INCH	[ ] METRIC DIM. AS REFERENCE
DRAWN BY <b>RS Zhang</b>	DATE <b>05-27-10</b>	10/100BT, VERTICAL, SHIELDED PATENTED	FILE NAME <b>SI-16003-F.DWG</b>	.X .XX .XXX	UNIT : INCH [mm] SCALE : N/A
			±0.005	REV. : A1 SIZE : A4 PAGE : 2	<b>bel</b> COMPONENTS FOR A COMPLETE FLAME

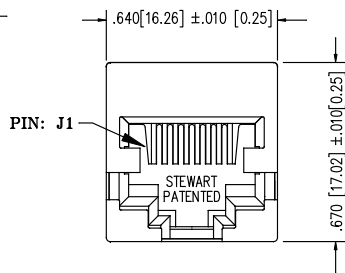
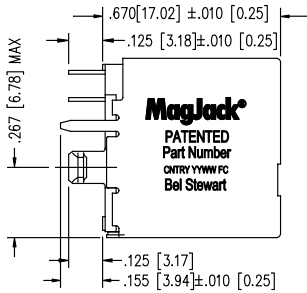
FM999185 REV B1

This document is electronically generated. This is a controlled copy if used internally

THE INFORMATION CONTAINED HEREIN IS CONSIDERED "PROPRIETARY" TO BEL FUSE INC. AND SHALL NOT BE COPIED, REPRODUCED OR DISCLOSED WITHOUT THE WRITTEN APPROVAL OF BEL FUSE INC.



P.C.B. RECOMMENDED HOLE LAYOUT  
 SEEN FROM COMPONENT SIDE  
 ALL CENTERLINE DIMENSIONS ARE BASIC



NOTES:

- CONNECTOR MATERIALS:  
 HOUSING: THERMOPLASTIC UL94 V-0  
 CONTACT/SHIELD: COPPER ALLOY  
 SHIELD PLATING: NICKEL OR TIN  
 CONTACT PLATING: SELECTIVE GOLD,  
 50 MICRO-INCHES MIN. IN CONTACT AREA.
- PIN NOT ELECTRICALLY CONNECTED MAYBE OMITTED.  
 SEE ELECTRICAL DRAWING FOR OMITTED PINS.
- TOLERANCES COMPLY WITH F.C.C. DIMENSION REQUIREMENTS.
- ALL TOLERANCES NOT OTHERWISE SPECIFIED TO BE ±.005 [0.13]
- REFLOW AND WAVE SOLDER COMPATIBLE -260°C FOR 10 SECONDS MAX.

ORIGINATED BY X.B Wei	DATE 05-27-10	TITLE <b>MagJack®</b> 10/100BT, VERTICAL, SHIELDED PATENTED	PART NO. / DRAWING NO. SI-16003-F	STANDARD DIM. TOL. IN INCH	[ ] METRIC DIM. AS REFERENCE
DRAWN BY RS Zhang	DATE 05-27-10		FILE NAME SI-16003-F.DWG	.X .XX .XXX ±0.005	UNIT : INCH [mm] SCALE : N/A



FM999185 REV B1

This document is electronically generated. This is a controlled copy if used internally