

THE INFORMATION CONTAINED HEREIN IS CONSIDERED "PROPRIETARY" TO BEL FUSE INC. AND SHALL NOT BE COPIED, REPRODUCED OR DISCLOSED WITHOUT THE WRITTEN APPROVAL OF BEL FUSE INC.

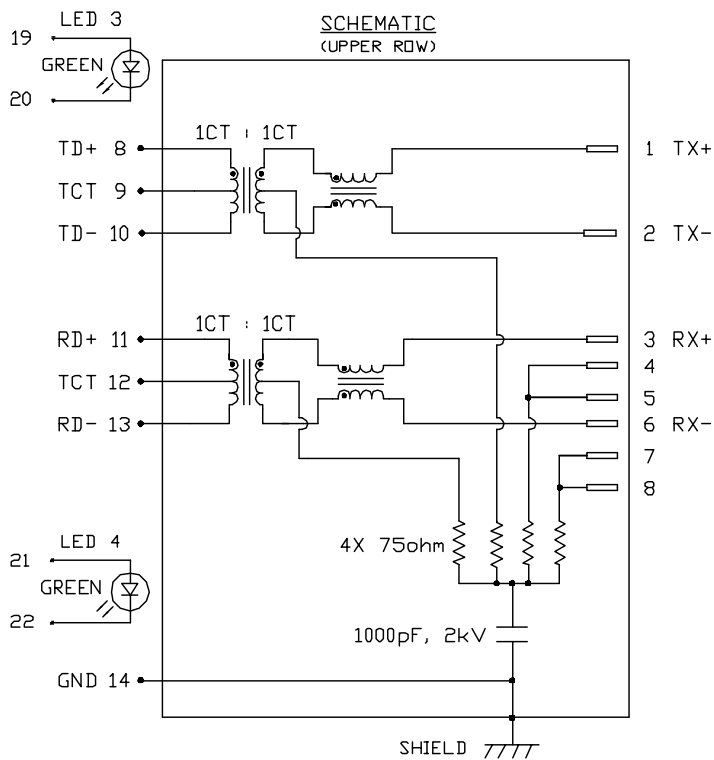
LED 3 POLARITY			LED 4 POLARITY		
PIN 19	PIN 20	COLOR	PIN 21	PIN 22	COLOR
+	-	GREEN	+	-	GREEN

PRELIMINARY



**ELECTRICAL CHARACTERISTICS @ 25°C**

<b>URNS RATIO</b>	
TX	1CT : 1
RX	1CT : 1
<b>OCL @ 100kHz/100mVRMS</b>	
8mA DC BIAS	350µH MIN.
<b>INS. LOSS</b>	
1MHZ TO 100MHZ	-1.0 dB MAX
<b>RET. LOSS (MIN)</b>	
1MHZ-30MHZ	-18 dB
30MHZ-60MHZ	-18+20LOG<F/30MHZ> dB
60MHZ-80MHZ	-12 dB
<b>CROSS TALK (TX - RX)</b>	
500kHz-1MHZ	-70 dB MIN
10 MHZ	-50 dB MIN
30 MHZ	-45 dB MIN
50 MHZ	-40 dB MIN
100 MHZ	-35 dB MIN
<b>CM TO CM REJ</b>	
100kHz-1MHZ	-70 dB MIN
10 MHZ	-47 dB MIN
30 MHZ	-42 dB MIN
60 MHZ	-37 dB MIN
100 MHZ	-30 dB MIN
<b>CM TO DM REJ</b>	
100kHz-1MHZ	-70 dB MIN
10 MHZ	-60 dB MIN
30 MHZ	-50 dB MIN
60 MHZ	-45 dB MIN
100 MHZ	-40 dB MIN
<b>HIPOT (Isolation Voltage):</b>	1500 Vrms
<b>LED 3 &amp; LED 4</b>	
VF (FORWARD VOLTAGE)	IF=20mA GREEN 2.2V TYP.
λD (DOMINANT WAVELENGTH)	IF=20mA GREEN 565nm TYP.



ORIGINATED BY	DATE	TITLE
CHUNG	07-28-05	2X1 MagJack® (with LED)
DRAWN BY	DATE	
DE	07-28-05	

PART NO. / DRAWING NO.
0845-2G1T-H5
FILE NAME
08452G1TH5PB.DWG

STANDARD DIM.	TOL. IN INCH	[ ] METRIC DIM. AS REFERENCE
.X		UNIT : INCH [mm]
.XX		SCALE : N/A
.XXX		SIZE : A4
		PAGE : 2

UNIT : INCH [mm]	REV. : PB
SCALE : N/A	SIZE : A4
PAGE : 2	



DC002/21052805

This document is electronically generated. This is a controlled copy if used internally

THE INFORMATION CONTAINED HEREIN IS CONSIDERED "PROPRIETARY" TO BEL FUSE INC. AND SHALL NOT BE COPIED, REPRODUCED OR DISCLOSED WITHOUT THE WRITTEN APPROVAL OF BEL FUSE INC.

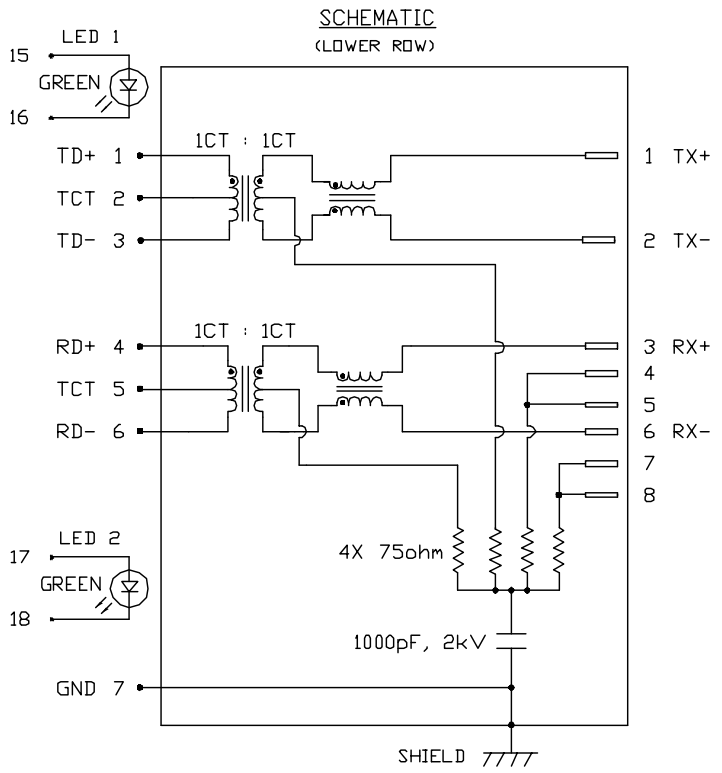
LED 1 POLARITY			LED 2 POLARITY		
PIN 15	PIN 16	COLOR	PIN 17	PIN 18	COLOR
+	-	GREEN	+	-	GREEN

PRELIMINARY



**ELECTRICAL CHARACTERISTICS @ 25°C**

<b>URNS RATIO</b>	
TX	1CT : 1
RX	1CT : 1
<b>OCL @ 100kHz/100mVRMS</b>	
8mA DC BIAS	350µH MIN.
<b>INS. LOSS</b>	
1MHZ TO 100MHZ	-1.0 dB MAX
<b>RET. LOSS (MIN)</b>	
1MHZ-30MHZ	-18 dB
30MHZ-60MHZ	-18+20LOG(F/30MHZ) dB
60MHZ-80MHZ	-12 dB
<b>CROSS TALK (TX - RX)</b>	
500kHz-1MHz	-70 dB MIN
10 MHz	-50 dB MIN
30 MHz	-45 dB MIN
50 MHz	-40 dB MIN
100 MHz	-35 dB MIN
<b>CM TO CM REJ</b>	
100kHz-1MHz	-70 dB MIN
10 MHz	-47 dB MIN
30 MHz	-42 dB MIN
60 MHz	-37 dB MIN
100 MHz	-30 dB MIN
<b>CM TO DM REJ</b>	
100kHz-1MHz	-70 dB MIN
10 MHz	-60 dB MIN
30 MHz	-50 dB MIN
60 MHz	-45 dB MIN
100 MHz	-40 dB MIN
<b>HIPOT (Isolation Voltage):</b>	1500 Vrms
<b>LED 1 &amp; LED 2</b>	
V <sub>F</sub> (FORWARD VOLTAGE)	IF=20mA GREEN 2.2V TYP.
λ <sub>D</sub> (DOMINANT WAVELENGTH)	IF=20mA GREEN 565nm TYP.



ORIGINATED BY	DATE	TITLE
CHUNG	07-28-05	2X1 MagJack® (with LED)
DRAWN BY	DATE	
DE	07-28-05	

PART NO. / DRAWING NO.
0845-2G1T-H5
FILE NAME
08452G1T5PB.DWG

STANDARD DIM.	[ ] METRIC DIM. AS REFERENCE
TOL. IN INCH	UNIT : INCH [mm]
.X	SCALE : N/A
.XX	SIZE : A4
.XXX	PAGE : 3

REV. :	REV. :
PB	PB

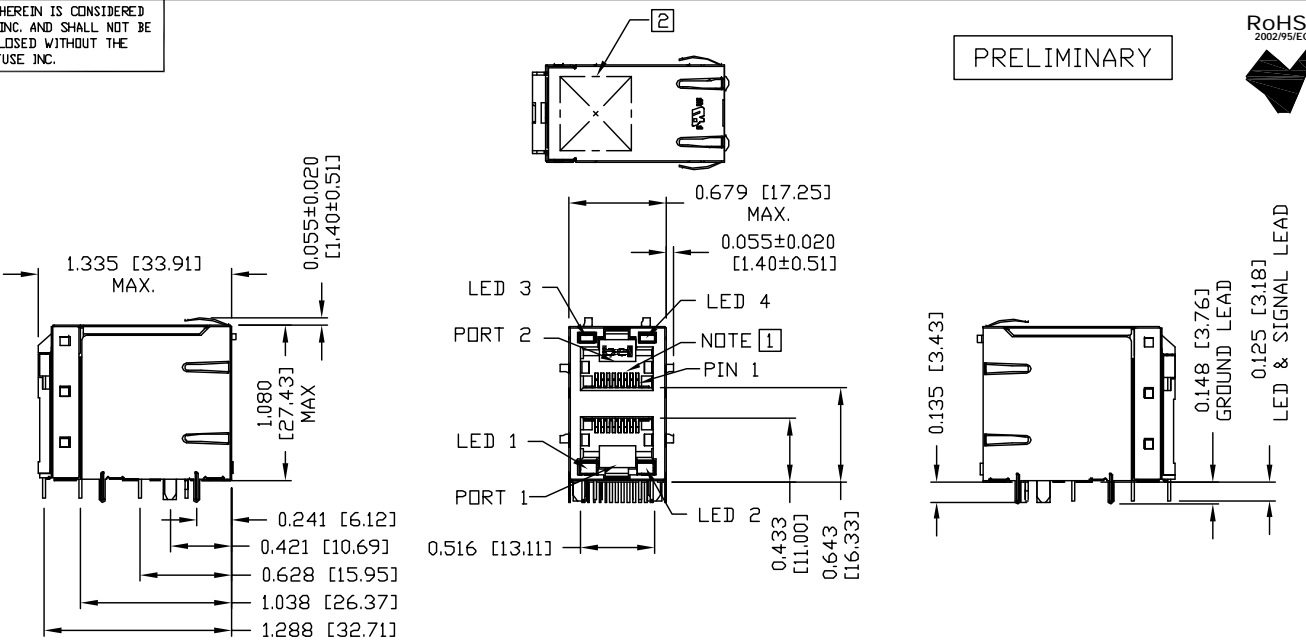


DC002/21052805

This document is electronically generated. This is a controlled copy if used internally

THE INFORMATION CONTAINED HEREIN IS CONSIDERED "PROPRIETARY" TO BEL FUSE INC. AND SHALL NOT BE COPIED, REPRODUCED OR DISCLOSED WITHOUT THE WRITTEN APPROVAL OF BEL FUSE INC.

PRELIMINARY



NOTES:

- PLASTIC HOUSING: THERMOPLASTIC PBT  
FLAMMABILITY RATING UL 94V-0
  - CONTACT PLATING: 50 MICRO-INCH HARD GOLD PLATING
  - OUTPUT PINS: TIN-COATED COPPER WIRE, DIA 0.018 INCH.
  - METAL SHIELD: NICKEL PLATED COPPER ALLOY.  
(ALL GROUND LEADS ARE SOLDER DIPPED)
  - [1] JACK CAVITY CONFORMS TO FCC RULES AND REGULATIONS, PART 68 SUBPART F.
  - [2] MARK PART WITH MFG LOGO, MFG NAME, PART NUMBER, AND DATE CODE.
- RoHS COMPLIANCE, PER EU DIRECTIVE 2002/95/EC.  
 IS UL RECOGNIZED - FILE #E196366 AND E169987.

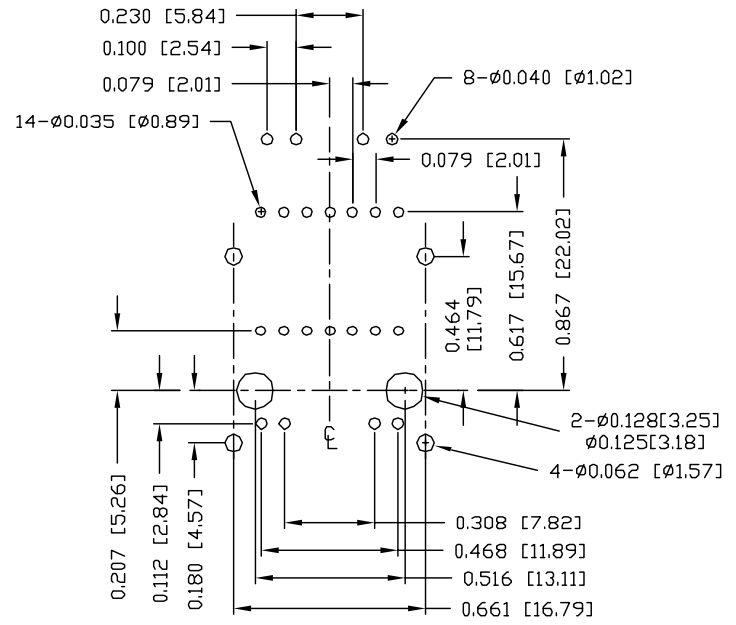
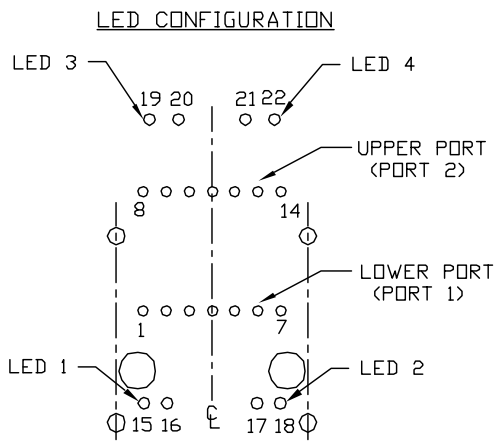
ORIGINATED BY	DATE	TITLE	PART NO. / DRAWING NO.	STANDARD DIM. TOL. IN INCH	[ ] METRIC DIM. AS REFERENCE		
BILL/KEUNG	07-28-05	2x1 MagJack® (with LED)	0845-2G1T-H5	.X	UNIT : INCH [mm]		REV. : PB
DRAWN BY	DATE		FILE NAME	.XX	SCALE : N/A		SIZE : A4
QIN	07-28-05		08452G1TH5PB.DWG	.XXX	±0.010		PAGE : 4

DC002/21052806

This document is electronically generated. This is a controlled copy if used internally

THE INFORMATION CONTAINED HEREIN IS CONSIDERED "PROPRIETARY" TO BEL FUSE INC. AND SHALL NOT BE COPIED, REPRODUCED OR DISCLOSED WITHOUT THE WRITTEN APPROVAL OF BEL FUSE INC.

PRELIMINARY



**PIN-OUT INFORMATION**  
(COMPONENT SIDE VIEW)  
(SCALE 2:1)

**SUGGESTED FOOTPRINT**  
(COMPONENT SIDE VIEW)  
(SCALE 2:1)

<b>ORIGINATED BY</b> BILL/KEUNG	<b>DATE</b> 07-28-05	<b>TITLE</b> 2X1 MagJack® (with LED)	<b>PART NO. / DRAWING NO.</b> 0845-2G1T-H5	<b>STANDARD DIM. TOL. IN INCH</b>	<b>[ ] METRIC DIM. AS REFERENCE</b>		
<b>DRAWN BY</b> QIN	<b>DATE</b> 07-28-05		<b>FILE NAME</b> 08452G1TH5PB.DWG	.X .XX .XXX	UNIT : INCH [mm] SCALE : N/A	REV. : PB SIZE : A4	
				±0.010		PAGE : 5	

DC002/21082806

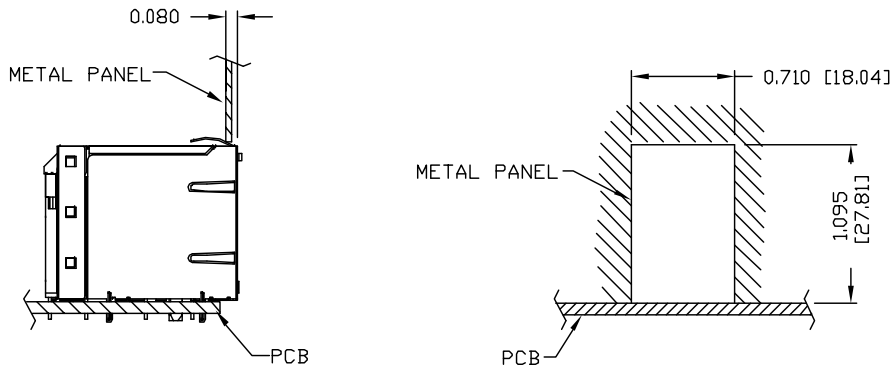
This document is electronically generated. This is a controlled copy if used internally

THE INFORMATION CONTAINED HEREIN IS CONSIDERED "PROPRIETARY" TO BEL FUSE INC. AND SHALL NOT BE COPIED, REPRODUCED OR DISCLOSED WITHOUT THE WRITTEN APPROVAL OF BEL FUSE INC.

PRELIMINARY



SUGGESTED PANEL OPENING



NOTE:

THE DISTANCE OF PANEL INSIDE SURFACE RELATIVE TO FRONT SURFACE OF PART IS ONLY A SUGGESTION. IN CASE THIS DISTANCE IS DIFFERENT, THE REQUIRED PANEL OPENING DIMENSIONS CHANGE ACCORDINGLY.

PACKING INFORMATION

PACKING TRAY: 0200-9999-H5 (TOP)  
0200-9999-H6 (BOTTOM)

PACKING QUANTITY: 40 PCS FINISHED GOODS PER TRAY  
6 TRAYS (240 PCS FINISHED GOODS) PER CARTON BOX.

NOTE: CARDBOARD ARE PLACED BETWEEN LAYERS OF PACKING TRAY INSIDE CARTON BOX.  
(INCLUDE THE UPPERMOST AND LOWEREST TRAY)

ORIGINATED BY	DATE	TITLE 2X1 MagJack® (with LED)	PART NO. / DRAWING NO.	STANDARD DIM.	[ ] METRIC DIM. AS REFERENCE		
BILL/KEUNG	07-28-05		0845-2G1T-H5	TOL. IN INCH	UNIT : INCH [mm]	REV. : PB	
DRAWN BY	DATE		FILE NAME	.X	SCALE : N/A	SIZE : A4	
QIN	07-28-05	08452G1TH5PB.DWG	.XX	.XXX ±0.005		PAGE : 6	

DC002/21052806

This document is electronically generated. This is a controlled copy if used internally