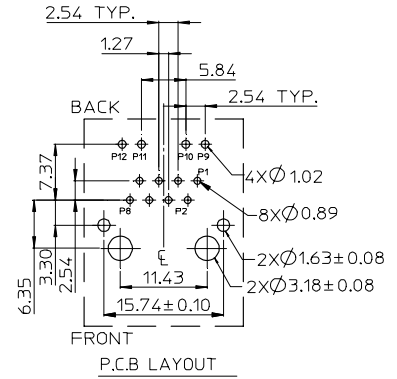
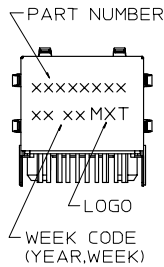
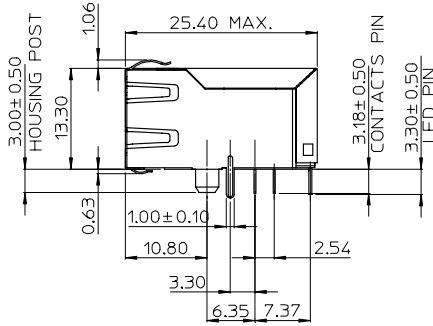
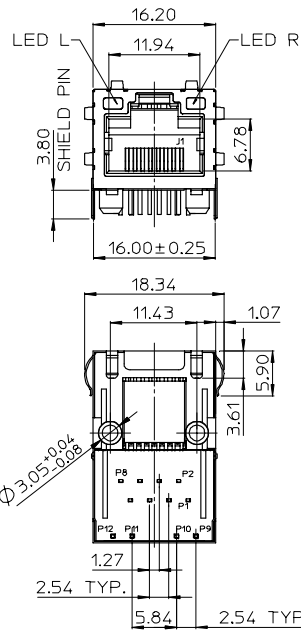


10 9 8 7 6 5 4 3 2 1



- NOTES:
- MATERIAL:
METAL SHELL: BRASS
HOUSING: POLYAMIDE, GLASS FIBER FILLED, UL94-0,COLOR BLACK
INSERT: POLYAMIDE, GLASS FIBER FILLED, UL94-0,COLOR BLACK
TERMINAL: PHOSPHOR BRONZE
 - PLATING:
TERMINAL:
CONTACT AREA: GOLD(Au), THICKNESS=50 MICRONCH/1.27 MICROMETER
SOLDER TAIL: TIN(Sn), THICKNESS=100 MICRONCH MINIMUM
UNDER PLATE: NICKEL (Ni).
METAL SHELL:
SOLDER TAIL: TIN(Sn), THICKNESS=100 MICRONCH MINIMUM
UNDER PLATE: NICKEL (Ni)(SOLDERING AVAILABLE)
SURFACE APPEARANCE: BRIGHT.
 - RECOMMENDED PCB THICKNESS: 1.60±0.05
 - PRODUCT SPECIFICATION REFER TO PS-48025-005
 - TEST SUMMARY REFER TO TS-48025-009
 - PACKAGING SPECIFICATION REFER TO PK-48025-001
 - LEAD FREE AND RoHS COMPLIANT PRODUCT.

P/N	LED COLOR	
	LEFT	RIGHT
48025-1090	GREEN	GREEN
48025-1190	GREEN	YELLOW

RoHS FOR 48025-1100 EC NO. SH2007-0129 DRW:ALLIN 2006/10/04 CHKD: 2006/10/04 APPR:WFSCHANG 2006/10/04 DESCRIPTION REV	QUALITY SYMBOLS	GENERAL TOLERANCES (UNLESS SPECIFIED)	DIMENSION STYLE	SCALE	DESIGN UNITS	THIRD ANGLE PROJECTION	
	▽=0 ▽=0	mm INCH 4 PLACES ± --- ± --- 3 PLACES ± --- ± --- 2 PLACES ± 0.25 ± --- 1 PLACE ± 0.25 ± --- ANGULAR ± 3 °	MM ONLY		METRIC		
		DRAFT WHERE APPLICABLE MUST REMAIN WITHIN DIMENSIONS	SEE TABLE				
			DRAWN BY LINDA DATE 2006/08/08 CHECKED BY ALLEN LIN DATE 2006/08/10 APPROVED BY ERICK LAN DATE 2006/08/10		TITLE MODULAR JACK WITH INTEGRATED MAGNETICS WITH LED MOLEX INCORPORATED		
			MATERIAL NO. SEE TABLE		DOCUMENT NO. SD-48025-009		
			SIZE A3		SHEET NO. 1 OF 2		
THIS DRAWING CONTAINS INFORMATION THAT IS PROPRIETARY TO MOLEX INCORPORATED AND SHOULD NOT BE USED WITHOUT WRITTEN PERMISSION							

9 8 7 6 5 4 3 2 1

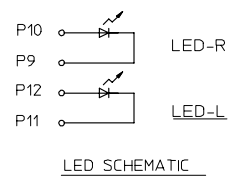
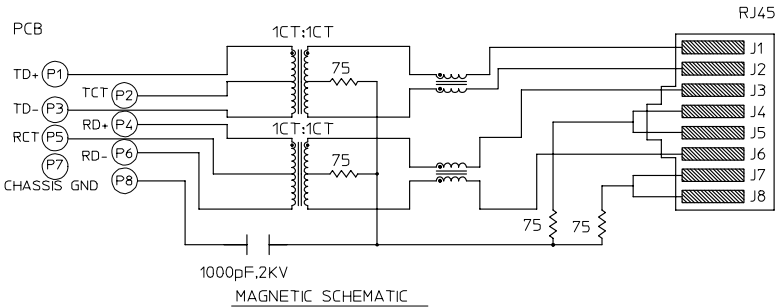
10 9 8 7 6 5 4 3 2 1

MAGNETIC ELECTRICAL SPECIFICATIONS:

- 1.0 TURNS RATIO:(P4-P5-P6):(J3-J6):1CT:1CT
(P3-P2-P1):(J1-J2):1CT:1CT
- 2.0 INDUCTANCE:(P4-P6):350uH MIN. @0.1V,100KHz,8mA DC Bias.
(P3-P1):350uH MIN. @0.1V,100KHz,8mA DC Bias.
- 3.0 LEAKAGE INDUCTANCE:P6-P5-P4(WITH J6 AND J3 SHORT):0.3 MAX.@1MHz.
P3-P2-P1(WITH J2 AND J1 SHORT):0.3 MAX.@1MHz.
- 4.0 INTERWINDING CAPACITANCE:(P6,P5,P4) TO (J6,J3):30pf MAX @1MHz.
(P3,P2,P1) TO (J2,J1):30pf MAX @1MHz.
- 5.0 DC RESISTANCE:(J6-J3)=(J2-J1):1.3 ohms Max.
- 6.0 RETURN LOSS:(P4-P6):(P1-P3)
1MHz TO 30MHz:18dB min.
30MHz TO 80MHz:12dB min.
NOTE:100 OHMS CONNECTED TO (J2-J1) OR (J3-J6).
- 7.0 HI-POT:(J1,J2) TO (P1,P3):1500 VAC OR 2250 VDC.
(J3,J6) TO (P4,P6):1500 VAC OR 2250 VDC.
- 8.0 INSERTION LOSS:1.1 dB MAX.
100KHz TO 100MHz.
- 9.0 CROSS TALK:1-100 MHz:30 dB MIN.
- 10.0 COMMON TO COMMON MODE REJECTION:1MHz TO 100MHz:35 dB MIN.

LED ELECTRICAL SPECIFICATION

PARAMETER	YELLOW (TYP.)	GREEN (TYP.)	UNITS	TEST CONDITIONS
POWER DISSIPATION	105	105	mW	
REVERSE VOLTAGE	5	5	V	
PEAK WAVELENGTH	585	565	nm	I _F =20mA
FORWARD VOLTAGE	2.1 MAX.=2.5	2.2 MAX.=2.5	V	I _F =20mA



SEE SHEET 1 ELC NO: S42007-0129 DRWN:ALLIN 2006/10/04 CHKD: 2006/10/04 APPR:WMSCHANG 2006/10/04	QUALITY SYMBOLS	GENERAL TOLERANCES (UNLESS SPECIFIED)	DIMENSION STYLE MM ONLY	SCALE 1:1	DESIGN UNITS METRIC	THIRD ANGLE PROJECTION																											
		<table border="1"> <tr> <th></th> <th>mm</th> <th>INCH</th> </tr> <tr> <td>4 PLACES</td> <td>±---</td> <td>±---</td> </tr> <tr> <td>3 PLACES</td> <td>±---</td> <td>±---</td> </tr> <tr> <td>2 PLACES</td> <td>±0.25</td> <td>±---</td> </tr> <tr> <td>1 PLACE</td> <td>±0.25</td> <td>±---</td> </tr> </table>		mm	INCH	4 PLACES	±---	±---	3 PLACES	±---	±---	2 PLACES	±0.25	±---	1 PLACE	±0.25	±---	<table border="1"> <tr> <th>DRAWN BY</th> <th>DATE</th> </tr> <tr> <td>LINDA</td> <td>2006/08/08</td> </tr> <tr> <th>CHECKED BY</th> <th>DATE</th> </tr> <tr> <td>ALLEN LIN</td> <td>2006/08/10</td> </tr> <tr> <th>APPROVED BY</th> <th>DATE</th> </tr> <tr> <td>ERICK LAN</td> <td>2006/08/10</td> </tr> </table>	DRAWN BY	DATE	LINDA	2006/08/08	CHECKED BY	DATE	ALLEN LIN	2006/08/10	APPROVED BY	DATE	ERICK LAN	2006/08/10	TITLE	MODULAR JACK WITH INTEGRATED MAGNETICS WITH LED	
		mm	INCH																														
	4 PLACES	±---	±---																														
3 PLACES	±---	±---																															
2 PLACES	±0.25	±---																															
1 PLACE	±0.25	±---																															
DRAWN BY	DATE																																
LINDA	2006/08/08																																
CHECKED BY	DATE																																
ALLEN LIN	2006/08/10																																
APPROVED BY	DATE																																
ERICK LAN	2006/08/10																																
	DRAFT WHERE APPLICABLE MUST REMAIN WITHIN DIMENSIONS	SEE TABLE	MATERIAL NO.	DOCUMENT NO.	MOLEX INCORPORATED SD-48025-009	SHEET NO. 2 OF 2																											

9 8 7 6 5 4 3 2 1