

THE INFORMATION CONTAINED HEREIN IS CONSIDERED "PROPRIETARY" TO BEL FUSE INC. AND SHALL NOT BE COPIED, REPRODUCED OR DISCLOSED WITHOUT THE WRITTEN APPROVAL OF BEL FUSE INC.

**PATENTED:
THIS PRODUCT IS
COVERED BY U.S.
PATENT 5,736,910**



DOCUMENT / PART NO.: SI-55004-F

TITLE : 10/100BT, TAB UP, SHIELDED

ISSUE	DESCRIPTION OF CHANGE	REVIEWED BY	APPROVED BY	ECN#
01	Release for sample building.	David Chan	Steve Weller	06296
02	Use new format and production release and correct the Tx winding polarity(from P3-P2-P1: J1-J2 TO P1-P2-P3: J1-J2)	Bain Liu	Steve Weller	06365

PAGE	1	2	3	4	--	--	--	--	--	--	--	--	--	--	--	--	--	
REV.	02	02	02	02	--	--	--	--	--	--	--	--	--	--	--	--	--	
PAGE	--	--	--	--	--	--	--	--	--	--	--	--	--	C5181-F REV 03				
REV.	--	--	--	--	--	--	--	--	--	--	--	--	--	24-0279-F REV A0				

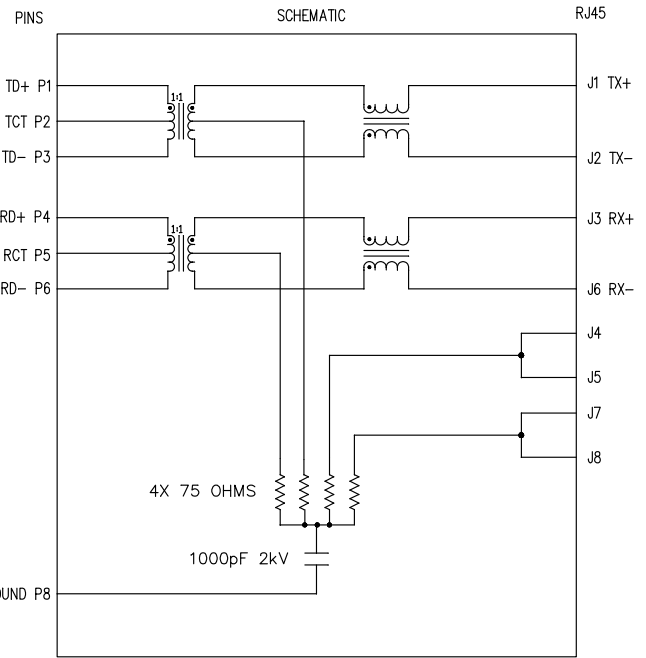
THE INFORMATION CONTAINED HEREIN IS CONSIDERED "PROPRIETARY" TO BEL FUSE INC. AND SHALL NOT BE COPIED, REPRODUCED OR DISCLOSED WITHOUT THE WRITTEN APPROVAL OF BEL FUSE INC.



ELECTRICAL CHARACTERISTICS @ 25° C

OPERATING TEMPERATURE RANGE: -40° C TO +85° C

- 1.0 TURNS RATIO: (P4-P5-P6) : (J3-J6) : 1CT : 1CT ± 3%
(P1-P2-P3) : (J1-J2) : 1CT : 1CT ± 3%
- 2.0 INDUCTANCE: (P4-P6) : 350uH MIN. @ 0.1V, 100KHz, 8mA DC Bias
(P3-P1) : 350uH MIN. @ 0.1V, 100KHz, 8mA DC Bias
- 3.0 LEAKAGE INDUCTANCE: P6-P4 (WITH J6 AND J3 SHORT) : 0.3uH MAX. @ 1MHz
P3-P1 (WITH J2 AND J1 SHORT) : 0.3uH MAX. @ 1MHz
- 4.0 INTERWINDING CAPACITANCE: (P6,P5,P4) TO (J6,J3) : 30pF MAX. @ 1MHz
(P3,P2,P1) TO (J2,J1) : 30pF MAX. @ 1MHz
- 5.0 DC RESISTANCE: (J6-J3)=(J2-J1) : 1.5 ohms Max.
- 6.0 RETURN LOSS: (P4-P6)=100 OHMS AND (P1-P3)=100 OHM REF.
1MHz TO 30MHz : 18dB MIN.
60MHz TO 80MHz : 12dB MIN.
NOTE: 100 OHMS CONNECTED TO (J2-J1) OR (J3-J6).
- 7.0 DIELECTRIC WITHSTAND: (J1, J2) TO (P1, P3) : 1500 Vrms
(J3, J6) TO (P4, P6) : 1500 Vrms
- 8.0 INSERTION LOSS: RS=RL=100 ohms : 1.1 dB TYP
100KHz TO 100MHz
- 9.0 RISE TIME: RS=100 OHMS AND RL = 100 OHMS : 3.0 nS MAX
OUTPUT VOLTAGE = 1 V peak : 3.0 nS MAX
PULSE WIDTH= 112nS
- 10.0 CROSS TALK: 1-100 MHz : 40 dB TYP
- 11.0 COMMON TO COMMON MODE ATTENUATION:
30MHz TO 100MHz : 35dB TYP



NOTES

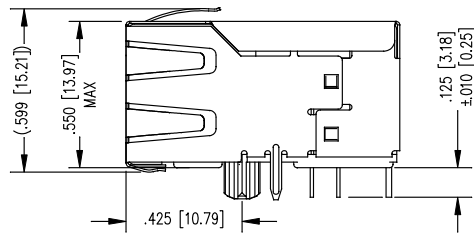
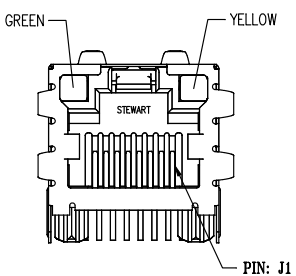
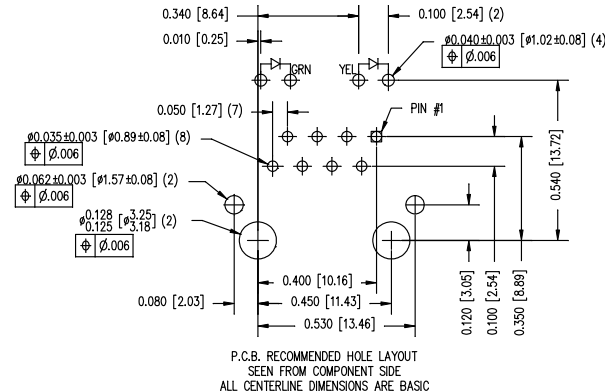
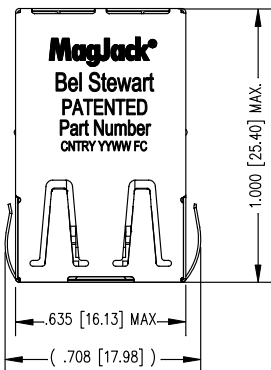
- 1.0 COMPLIES WITH THE EUROPEAN DIRECTIVE 2002/95/EC, CALLING FOR THE ELIMINATION OF LEAD AND OTHER HAZARDOUS SUBSTANCES FROM ELECTRONIC PRODUCTS.
- 2.0 UNUSED PIN P7 IS OMITTED.

ORIGINATED BY Zeng Xiao Chun	DATE 2011-02-23	TITLE MagJack® 10/100BT TAB UP, SHIELDED PATENTED	PART NO. / DRAWING NO. SI-55004-F	STANDARD DIM. TOL. IN INCH .X .XX .XXX ±0.005	[] METRIC DIM. AS REFERENCE UNIT : INCH [mm] SCALE : N/A	REV. : 02 SIZE : A4 PAGE : 2	bel COMPONENTS FOR A CONNECTED FUTURE
DRAWN BY Zhang Ru Sheng	DATE 2011-02-23		FILE NAME SI-55004-F.DWG				

FM990185 REV B1

This document is electronically generated. This is a controlled copy if used internally

THE INFORMATION CONTAINED HEREIN IS CONSIDERED "PROPRIETARY" TO BEL FUSE INC. AND SHALL NOT BE COPIED, REPRODUCED OR DISCLOSED WITHOUT THE WRITTEN APPROVAL OF BEL FUSE INC.



- NOTES:
- CONNECTOR MATERIALS:
HOUSING: THERMOPLASTIC UL94 V-0
CONTACT/SHIELD: COPPER ALLOY
SHIELD PLATING: NICKEL OR TIN
CONTACT PLATING: SELECTIVE GOLD,
50 MICRO-INCHES MIN. IN CONTACT AREA.
 - PIN NOT ELECTRICALLY CONNECTED MAYBE OMITTED.
SEE ELECTRICAL DRAWING FOR OMITTED PINS.
 - TOLERANCES COMPLY WITH F.C.C. DIMENSION REQUIREMENTS.
 - ALL TOLERANCES NOT OTHERWISE SPECIFIED TO BE ±.005 [0.13]
 - REFLOW AND WAVE SOLDER COMPATIBLE-260°C FOR 10 SECONDS MAX.

LED SPECIFICATION			
STANDARD LED	WAVELENGTH	FORWARD V (MAX)	*(TYP)
GREEN	565 nm	2.5 V	2.2 V
YELLOW	590 nm	2.5 V	2.1 V

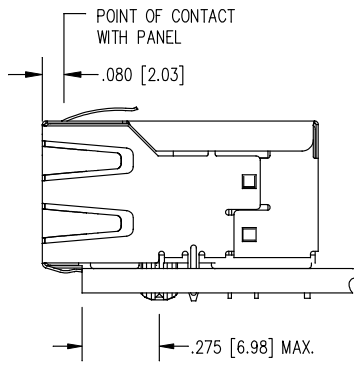
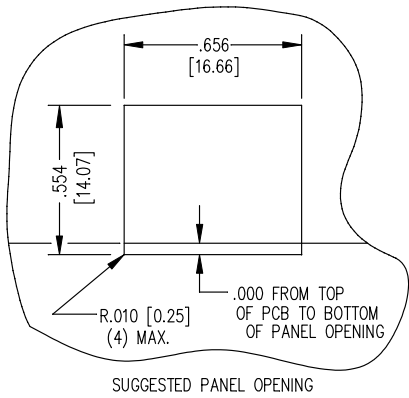
*WITH A FORWARD CURRENT OF 20 mA (TYP)

ORIGINATED BY Zeng Xiao Chun	DATE 2011-02-23	TITLE MagJack® 10/100BT TAB UP, SHIELDED PATENTED	PART NO. / DRAWING NO. SI-55004-F	STANDARD DIM. TOL. IN INCH X XX XXX ±0.005	[] METRIC DIM. AS REFERENCE		bel COMPONENTS FOR A CONNECTED PLANET
DRAWN BY Zhang Ru Sheng	DATE 2011-02-23		FILE NAME SI-55004-F.DWG		UNIT : INCH [mm]	REV. : 02	
						PAGE : 3	

FM990185 REV B1

This document is electronically generated. This is a controlled copy if used internally

THE INFORMATION CONTAINED HEREIN IS CONSIDERED "PROPRIETARY" TO BEL FUSE INC. AND SHALL NOT BE COPIED, REPRODUCED OR DISCLOSED WITHOUT THE WRITTEN APPROVAL OF BEL FUSE INC.



1. THE SUGGESTED PANEL OPENING IS INTENDED TO GIVE THE USER THE ABILITY TO HAVE REASONABLE JACK / PANEL CLEARANCES YET MAINTAIN RELIABLE GROUNDING CAPABILITY.
2. ALL TOLERANCES NOT OTHERWISE SPECIFIED TO BE ± 0.05 [0.13]

ORIGINATED BY Zeng Xiao Chun	DATE 2011-02-23	TITLE MagJack® 10/100BT TAB UP, SHIELDED PATENTED	PART NO. / DRAWING NO. SI-55004-F	STANDARD DIM. TOL. IN INCH .X .XX .XXX ± 0.005	[] METRIC DIM. AS REFERENCE		bel COMPONENTS FOR A CONNECTED PLANET
DRAWN BY Zhang Ru Sheng	DATE 2011-02-23		FILE NAME SI-55004-F.DWG		UNIT : INCH [mm]	REV. : 02	
						PAGE : 4	

FM990185 REV B1 This document is electronically generated. This is a controlled copy if used internally