

THE INFORMATION CONTAINED HEREIN IS CONSIDERED "PROPRIETARY" TO BEL FUSE INC. AND SHALL NOT BE COPIED, REPRODUCED OR DISCLOSED WITHOUT THE WRITTEN APPROVAL OF BEL FUSE INC.

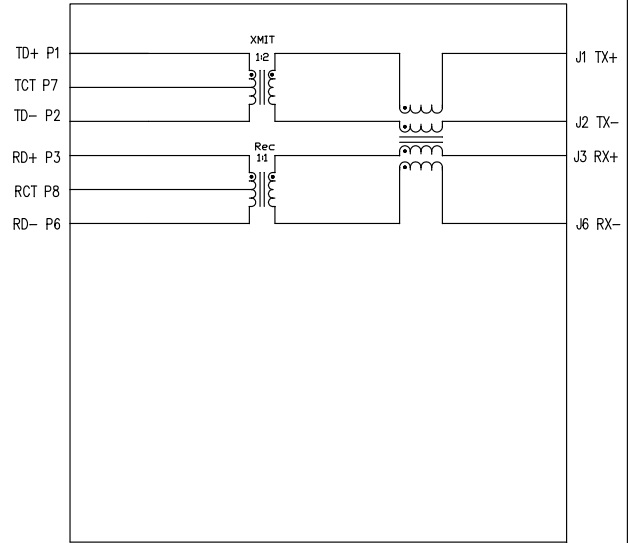


**ELECTRICAL CHARACTERISTICS @ 25°C**

ELECTRICAL SPECIFICATIONS:

1.0 TURNS RATIO (P6-P8-P3) : (J6-J3)	: 1CT : 1 ± 3%
(P2-P7-P1) : (J2-J1)	: 1CT : 2 ± 3%
2.0 INDUCTANCE (P6-P3)=(J6-J3)	: 98uH MIN. @ 0.01V, 10KHz
(P2-P1)	: 18uH MIN. @ 0.01V, 10KHz
3.0 LEAKAGE INDUCTANCE P6-P3 (WITH J6 AND J3 SHORT)	: 0.3uH MAX. @ 1MHz
P2-P1 (WITH J2 AND J1 SHORT)	: 0.08uH MAX. @ 1MHz
4.0 INTERWINDING CAPACITANCE (P6,P3) TO (J6,J3)	: 8pF MAX @ 1MHz
(P2,P1) TO (J2,J1)	: 6pF MAX. @ 1MHz
5.0 DC RESISTANCE (J6-J3)=(J2-J1)	: 0.7 ohms Max.
(P6-P8)=(P8-P3)	: 0.3 ohms Max.
(P2-P7)=(P7-P1)	: 0.3 ohms Max.
6.0 DIELECTRIC WITHSTAND (P6,P3) TO (J6,J3)	: 1500Vrms
(P2,P1) TO (J2,J1)	: 1500Vrms

PINS SCHEMATIC RJ45



NOTES

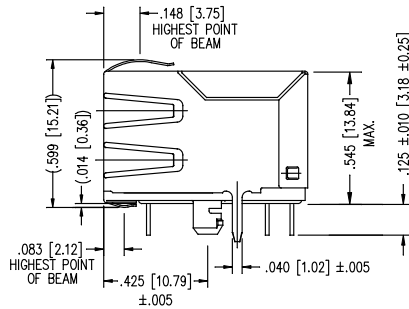
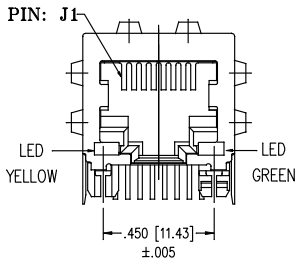
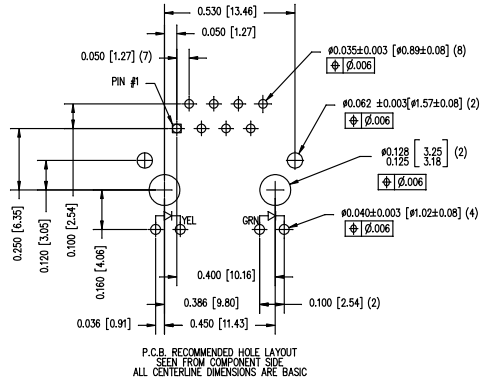
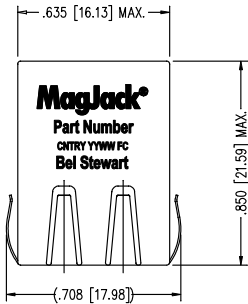
- 1.0 PINS WITHOUT ELECTRICAL CONNECTION ARE OMITTED.
- 2.0 Ref. MG06

ORIGINATED BY <b>ZL WANG</b>	DATE <b>10-27-09</b>	TITLE <b>MagJack® 10BT TAB DOWN, SHIELDED</b>	PART NO. / DRAWING NO. <b>SI-60148-F</b>	STANDARD DIM. TOL. IN INCH	[ ] METRIC DIM. AS REFERENCE	 COMPONENTS FOR A COMPLETED PLACEMENT
DRAWN BY <b>RS ZHANG</b>	DATE <b>10-27-09</b>	FILE NAME <b>SI-60148-F.DWG</b>		.X .XX .XXX	UNIT : INCH [mm] SCALE : N/A PAGE : 2	
				±0.005	REV. : X1 SIZE : A4	

FM996183 REV B1

This document is electronically generated. This is a controlled copy if used internally

THE INFORMATION CONTAINED HEREIN IS CONSIDERED "PROPRIETARY" TO BEL FUSE INC. AND SHALL NOT BE COPIED, REPRODUCED OR DISCLOSED WITHOUT THE WRITTEN APPROVAL OF BEL FUSE INC.



LED SPECIFICATION			
STANDARD LED	WAVELENGTH	Forward V (MAX)	*(TYP)
GREEN	565 nm	2.5 V	2.2 V
YELLOW	590 nm	2.5 V	2.1 V

\*WITH A FORWARD CURRENT OF 20 mA (TYP)

NOTES:

- CONNECTOR MATERIALS:  
 HOUSING: THERMOPLASTIC UL94 V-0  
 CONTACT/SHIELD: COPPER ALLOY  
 SHIELD PLATING: NICKEL OR TIN  
 CONTACT PLATING: SELECTIVE GOLD,  
 50 MICRO-INCHES MIN. IN CONTACT AREA.
- PIN NOT ELECTRICALLY CONNECTED MAYBE OMITTED.  
 SEE ELECTRICAL DRAWING FOR OMITTED PINS.
- TOLERANCES COMPLY WITH F.C.C. DIMENSION REQUIREMENTS.
- ALL TOLERANCES NOT OTHERWISE SPECIFIED TO BE ±.005 [0.13]
- WAVE SOLDER COMPATIBLE - PREHEAT 125°C/90SECS.

ORIGINATED BY	DATE
ZL WANG	10-27-09
DRAWN BY	DATE
RS ZHANG	10-27-09

TITLE	<b>MagJack®</b> 10BT TAB DOWN, SHIELDED
-------	---

PART NO. / DRAWING NO.	SI-60148-F
FILE NAME	SI-60148-F.DWG

STANDARD DIM.	TOL. IN INCH
.X	
.XX	
.XXX	±0.005

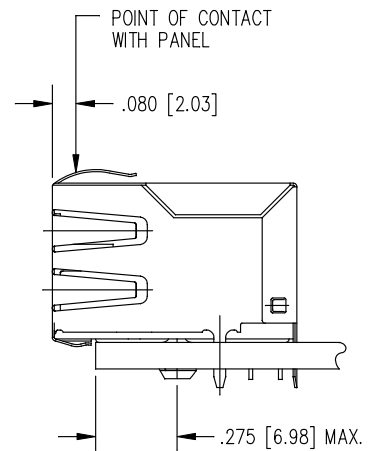
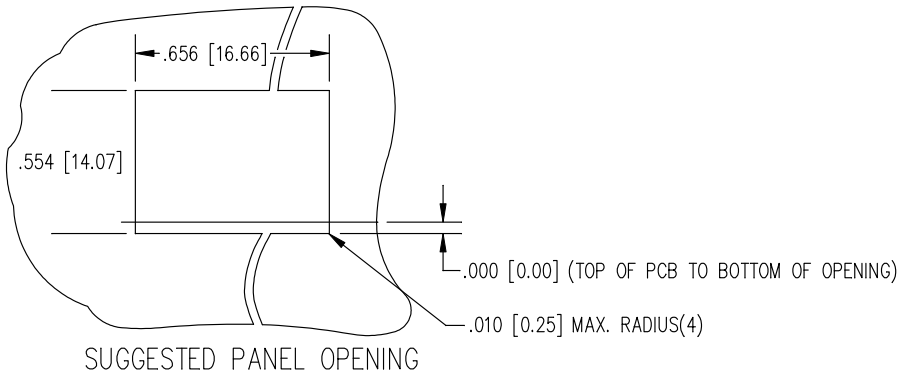
[ ] METRIC DIM. AS REFERENCE	
UNIT : INCH [mm]	REV. : X1
SCALE : N/A	SIZE : A4
	PAGE : 3



FM996183 REV B1

This document is electronically generated. This is a controlled copy if used internally

THE INFORMATION CONTAINED HEREIN IS CONSIDERED "PROPRIETARY" TO BEL FUSE INC. AND SHALL NOT BE COPIED, REPRODUCED OR DISCLOSED WITHOUT THE WRITTEN APPROVAL OF BEL FUSE INC.



1. THE SUGGESTED PANEL OPENING IS INTENDED TO GIVE THE USER THE ABILITY TO HAVE REASONABLE JACK / PANEL CLEARANCES YET MAINTAIN RELIABLE GROUNDING CAPABILITY.
2. ALL TOLERANCES NOT OTHERWISE SPECIFIED TO BE  $\pm .005$  [0.13]

ORIGINATED BY <b>ZL WANG</b>	DATE <b>10-27-09</b>	TITLE <b>MagJack® 10BT TAB DOWN, SHIELDED</b>	PART NO. / DRAWING NO. <b>SI-60148-F</b>	STANDARD DIM. TOL. IN INCH	[ ] METRIC DIM. AS REFERENCE	
DRAWN BY <b>RS ZHANG</b>	DATE <b>10-27-09</b>		FILE NAME <b>SI-60148-F.DWG</b>	.X .XX .XXX	UNIT : INCH [mm]	REV. : X1
				±0.005	SCALE : N/A	SIZE : A4
					⊕	PAGE : 4



FM999183 REV B1

This document is electronically generated. This is a controlled copy if used internally