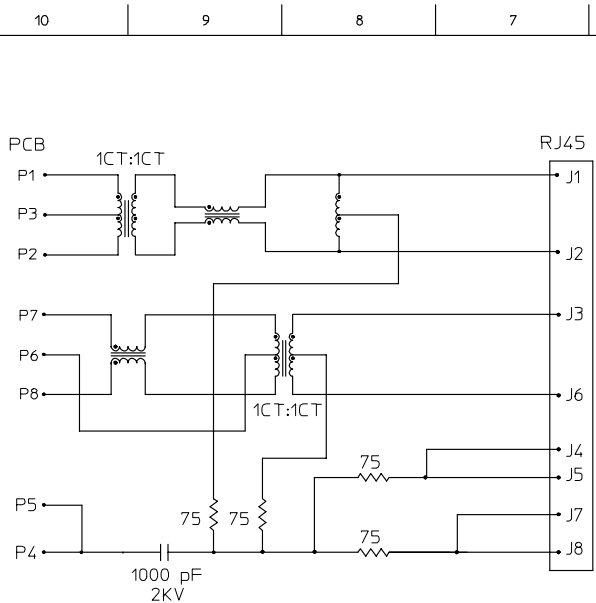


NOTES:

- MATERIAL:  
METAL SHELL: BRASS  
HOUSING: POLYAMIDE, GLASS FIBER FILLED, UL94-0,COLOR BLACK  
INSERT: POLYAMIDE, GLASS FIBER FILLED, UL94-0,COLOR BLACK  
TERMINAL: PHOSPHOR BRONZE
- PLATING:  
TERMINAL:  
CONTACT AREA: GOLD(AU),THICKNESS=50 MICROINCH/1.27 MICROMETER  
SOLDER TAIL: TIN(Sn),THICKNESS=100 MICROINCH MINIMUM  
UNDER PLATE: NICKEL (Ni).  
METAL SHELL:  
SOLDER TAIL: TIN(Sn),THICKNESS=100 MICROINCH MINIMUM  
UNDER PLATE: NICKEL (Ni),(SOLDERING AVAILABLE)  
SURFACE APPEARANCE: BRIGHT.
- RECOMMENDED PCB THICKNESS: 1.60±0.05
- PRODUCT SPECIFICATION REFER TO PS-48025-005
- TEST SUMMARY REFER TO TS-48025-007
- PACKAGING SPECIFICATION REFER TO PK-48025-001
- LEAD FREE AND RoHS COMPLIANT PRODUCT.

RoHS FOR 48025-0001 EC NO. SH2007-0129 DRWN:ALLIN 2006/10/04 CHKD: 2006/10/04 APPR:WFSCHANG 2006/10/04	QUALITY SYMBOLS ▽=0 ▽=0	GENERAL TOLERANCES (UNLESS SPECIFIED)		DIMENSION STYLE MM ONLY		SCALE	DESIGN UNITS METRIC	THIRD ANGLE PROJECTION
		mm	INCH	DRAWN BY LINDA	DATE 2006/08/08	TITLE MODULAR JACK WITH INTEGRATED MAGNETICS WITH LED		
B	DESCRIPTION REV	4 PLACES ± ---	± ---	CHECKED BY ALLEN LIN	DATE 2006/08/10	MOLEX INCORPORATED		
		3 PLACES ± ---	± ---	APPROVED BY ERICK LAN	DATE 2006/08/10	MATERIAL NO. 48025-0091	DOCUMENT NO. SD-48025-007	SHEET NO. 1 OF 2
DRAFT WHERE APPLICABLE MUST REMAIN WITHIN DIMENSIONS		ANGULAR ± 3 °		THIS DRAWING CONTAINS INFORMATION THAT IS PROPRIETARY TO MOLEX INCORPORATED AND SHOULD NOT BE USED WITHOUT WRITTEN PERMISSION				



MAGNETIC SCHEMATIC

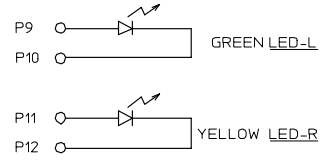
MAGNETIC ELECTRICAL SPECIFICATION

PARAMETER	SPECIFICATIONS		
	100 KHz	1-125 MHz	
INSERTION LOSS	1.2 dB MAX	0.2+0.002*f~1.4 dB MAX	
		30-60 MHz	60-80 MHz
RETURN LOSS (Z OUT=100 OHM±15%)	16 dB MIN	10-20*LOG <sub>10</sub> (f/60 MHz) dB MIN.	10 dB MIN.
		MEASURED AT 100 KHz, 100 mVRMS, AND WITH 8 mA DC BIAS	
INDUCTANCE (OCL) (MEDIA SIDE, 0° +70°C)	350 uH MIN		
CROSSTALK, ADJACENT CHANNELS	1 MHz	10-100 MHz	
	50 dB MIN	50-17*LOG <sub>10</sub> (f/10) dB MIN.	
COMMON MODE REJECTION RATIO	2 MHz	30-200 MHz	
	50 dB MIN	15-20*LOG <sub>10</sub> (f/200) dB MIN.	
DC RESISTANCE 1/2 WINDING	0.60 OHMS MAX.		
DC RESISTANCE IMBALANCE	±0.065 OHMS MAX (CENTER TAP SYMMETRY)		
HI-POT ISOLATION	1500 VRMS AC		

NOTE: f IS FREQUENCY IN MHZ.

LED ELECTRICAL SPECIFICATION

PARAMETER	YELLOW (TYP.)	GREEN (TYP.)	UNITS	TEST CONDITIONS
POWER DISSIPATION	105	105	mW	
REVERSE VOLTAGE	5	5	V	
PEAK WAVELENGTH	590	565	nm	I <sub>F</sub> =20mA
FORWARD VOLTAGE	2.1 MAX.=2.5	2.2 MAX.=2.5	V	I <sub>F</sub> =20mA



LED SCHEMATIC

SEE SHEET 1 EC NO. SH2007-0129 DRW: HALLIN CHKD: CHIKO APPR: WSC HANG 2006/10/04 2006/10/04 2006/10/04	QUALITY SYMBOLS	GENERAL TOLERANCES (UNLESS SPECIFIED)	DIMENSION STYLE	SCALE	DESIGN UNITS	THIRD ANGLE PROJECTION	
	▽=0 ▽=0	mm INCH 4 PLACES ±--- ±--- 3 PLACES ±--- ±--- 2 PLACES ±0.25 ±--- 1 PLACE ±0.25 ±--- ANGULAR ± 3°	MM ONLY	1:1	METRIC		
	DESCRIPTION	DRAFT WHERE APPLICABLE MUST REMAIN WITHIN DIMENSIONS	DRAWN BY LINDA CHECKED BY ALLEN LIN APPROVED BY ERICK LAN DATE 2006/08/08 DATE 2006/08/10 DATE 2006/08/10	TITLE	MODULAR JACK WITH INTEGRATED MAGNETICS WITH LED MOLEX INCORPORATED		
	REV		MATERIAL NO. 48025-0091	DOCUMENT NO. SD-48025-007	SHEET NO. 2 OF 2		