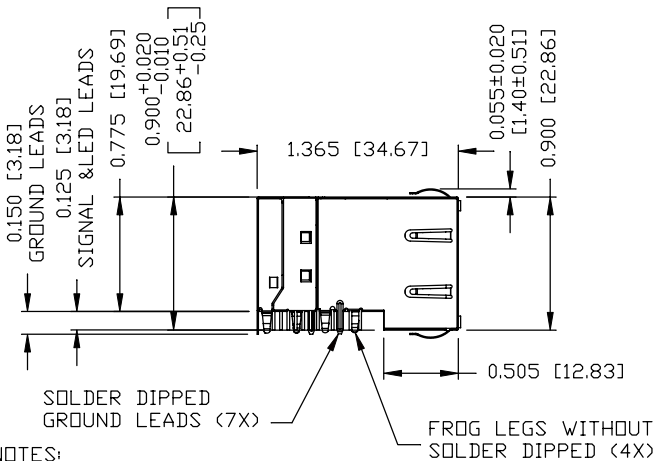


THE INFORMATION CONTAINED HEREIN IS CONSIDERED PROPRIETARY TO BEL FUSE INC. AND SHALL NOT BE COPIED, REPRODUCED OR DISCLOSED WITHOUT THE WRITTEN APPROVAL OF BEL FUSE INC.

RoHS
2002/95/EC



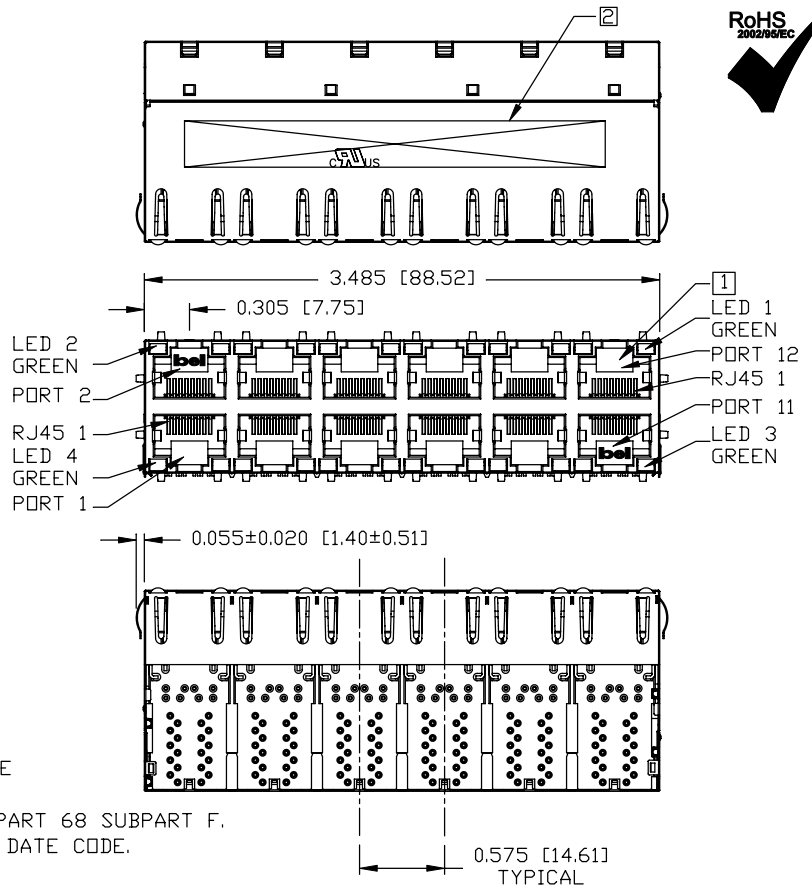
NOTES:

- PLASTIC HOUSING: THERMOPLASTIC PBT
FLAMMABILITY RATING UL 94V-0
- CONTACT PLATING: 30 MICRO-INCH HARD GOLD PLATING
- OUTPUT PINS: TIN-COATED COPPER WIRE, DIA 0.018 INCH.
- METAL SHIELD: NICKEL PLATED ON COPPER ALLOY.
(ALL GROUND LEADS ARE SOLDER DIPPED)
FROG LEGS ARE FOR PCB RETENTION FORCE ONLY AND NOT FOR GROUNDING PURPOSE

1 JACK CAVITY CONFORMS TO FCC RULES AND REGULATIONS, PART 68 SUBPART F.

2 MARK PART WITH MFG LOGO, MFG NAME, PART NUMBER, AND DATE CODE.

UL RECOGNIZED - FILE #E196366 AND E169987.
RoHS COMPLIANCE, PER EU DIRECTIVE 2002/95/EC.



| | | | | | | |
|-----------------------------|------------------|---|--|-------------------------------|---|--|
| ORIGINATED BY HOWFAR WEI | DATE 01-12-09 | TITLE 2X6 gigabit MagJack® COMPRESSOR SERIES (8 Cores) | PART NO. / DRAWING NO. C850-2G6R-54 | STANDARD DIM. TOL. IN INCH | [] METRIC DIM. AS REFERENCE | bel COMPONENTS FOR A CONNECTED FLOW |
| DRAWN BY JOLLY LUD | DATE 01-12-09 | | FILE NAME C850-2G6R-54_B.DWG | .X .XX .XXX ±0.010 | UNIT : INCH [mm] SCALE : N/A PAGE : 3 | |

DC002(2)032305

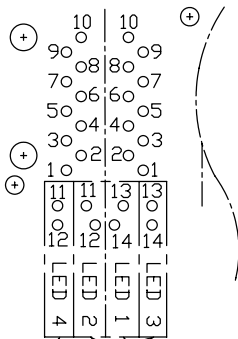
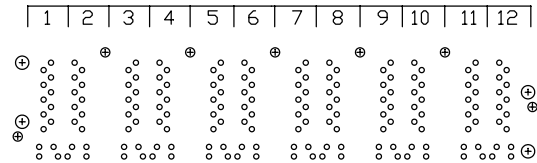
This document is electronically generated. This is a controlled copy if used internally

THE INFORMATION CONTAINED HEREIN IS CONSIDERED PROPRIETARY TO BEL FUSE INC. AND SHALL NOT BE COPIED, REPRODUCED OR DISCLOSED WITHOUT THE WRITTEN APPROVAL OF BEL FUSE INC.

RoHS
2002/95/EC



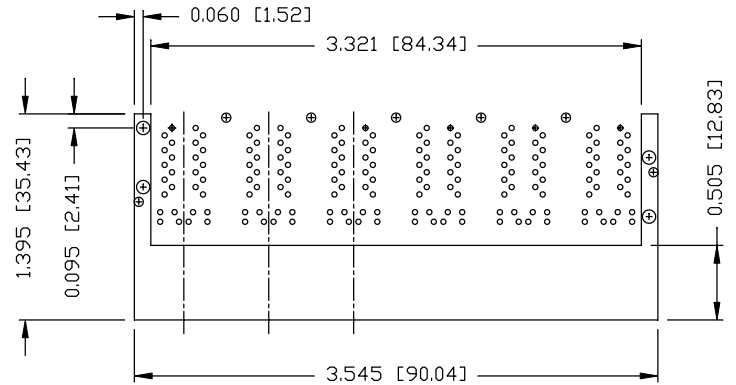
PORT ASSIGNMENT
(COMPONENT SIDE VIEW)



LED FOR LOWER DECK LED FOR UPPER DECK

PIN-OUT INFORMATION
(COMPONENT SIDE VIEW)

| | | | |
|----|--------------|----|-----------|
| 10 | GND | | |
| 9 | TRDCT1/2/3/4 | | |
| 8 | TRD 4+ | | |
| 7 | TRD 4- | | |
| 6 | TRD 3+ | | |
| 5 | TRD 3- | | |
| 4 | TRD 2+ | 14 | GREEN (-) |
| 3 | TRD 2- | 13 | GREEN (+) |
| 2 | TRD 1+ | 12 | GREEN (-) |
| 1 | TRD 1- | 11 | GREEN (+) |

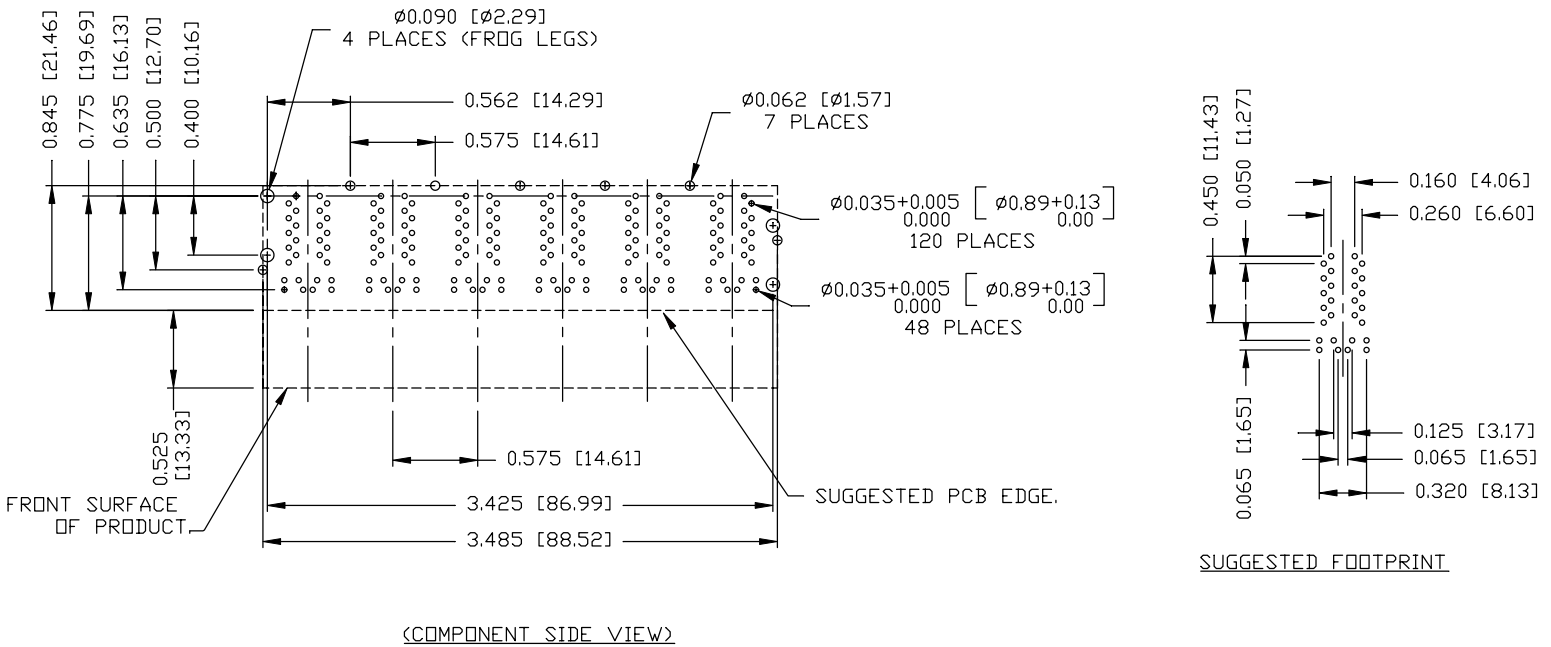


| | | | | | | | | |
|-----------------------------|------------------|---|--|-------------------------------|--------|------------------------------|-----------|---|
| ORIGINATED BY HOWFAR WEI | DATE 01-12-09 | TITLE 2X6 gigabit MagJack® COMPRESSOR SERIES (8 Cores) | PART NO. / DRAWING NO. C850-2G6R-54 | STANDARD DIM. TOL. IN INCH | | [] METRIC DIM. AS REFERENCE | | bel COMPONENTS FOR A COMPLETE FLAME |
| | | | | .X | | UNIT : INCH [mm] | REV. : B | |
| DRAWN BY JOLLY LUD | DATE 01-12-09 | | FILE NAME C850-2G6R-54_B.DWG | .XX | | SCALE : N/A | SIZE : A4 | |
| | | | | .XXX | ±0.004 | SCALE : N/A | PAGE : 4 | |

DC002(2)032305

This document is electronically generated. This is a controlled copy if used internally

THE INFORMATION CONTAINED HEREIN IS CONSIDERED "PROPRIETARY" TO BEL FUSE INC. AND SHALL NOT BE COPIED, REPRODUCED OR DISCLOSED WITHOUT THE WRITTEN APPROVAL OF BEL FUSE INC.



(COMPONENT SIDE VIEW)

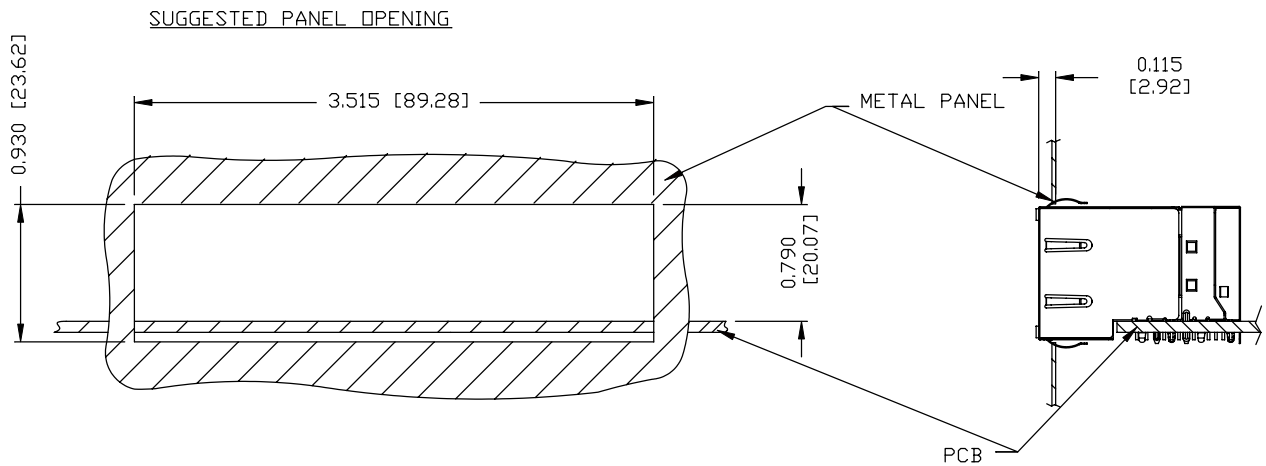
| | | | | | | |
|-----------------------------|------------------|---|--|-------------------------------|---------------------------------|--|
| ORIGINATED BY HOWFAR WEI | DATE 01-12-09 | TITLE 2X6 gigabit MagJack® COMPRESSOR SERIES (8 Cores) | PART NO. / DRAWING NO. C850-2G6R-54 | STANDARD DIM. TOL. IN INCH | [] METRIC DIM. AS REFERENCE | |
| DRAWN BY JOLLY LUD | DATE 01-12-09 | | FILE NAME C850-2G6R-54_B.DWG | .X .XX .XXX ±0.004 | UNIT : INCH [mm] SCALE : N/A | |

DC002(2)032305

This document is electronically generated. This is a controlled copy if used internally

THE INFORMATION CONTAINED HEREIN IS CONSIDERED PROPRIETARY TO BEL FUSE INC. AND SHALL NOT BE COPIED, REPRODUCED OR DISCLOSED WITHOUT THE WRITTEN APPROVAL OF BEL FUSE INC.

RoHS
2002/95/EC



NOTE:

THE DISTANCE OF PANEL INSIDE SURFACE RELATIVE TO FRONT SURFACE OF PART IS ONLY A SUGGESTION. IN CASE THIS DISTANCE IS DIFFERENT, THE REQUIRED PANEL OPENING DIMENSIONS CHANGE ACCORDINGLY.

PACKING INFORMATION

PACKING TRAY : 0200-9999-H1 (TOP)

0200-9999-H2 (BOTTOM)

PACKING QUANTITY : 18 PCS FINISHED GOODS PER TRAY.

6 TRAYS (108 PCS FINISHED GOODS) PER CARTON BOX.

NOTE : CARDBOARDS ARE PLACED BETWEEN LAYERS OF PACKING TRAY INSIDE CARTON BOX.

(INCLUDE THE UPPERMOST AND LOWERMOST TRAY)

| | | | | | | | | |
|-----------------------------|------------------|---|--|---------------|--------|------------------------------|-----------|---------------------------------------|
| ORIGINATED BY HOWFAR WEI | DATE 01-12-09 | TITLE 2X6 gigabit MagJack® COMPRESSOR SERIES (8 Cores) | PART NO. / DRAWING NO. C850-2G6R-54 | STANDARD DIM. | | [] METRIC DIM. AS REFERENCE | | COMPONENTS OR A COMPLETE FLAME |
| | | | | TOL. IN INCH | | UNIT : INCH [mm] | REV. : B | |
| DRAWN BY JOLLY LUD | DATE 01-12-09 | | FILE NAME C850-2G6R-54_B.DWG | .X | | SCALE : N/A | SIZE : A4 | |
| | | | | .XX | | | | |
| | | | | .XXX | ±0.004 | | | |

DC002(2)032305

This document is electronically generated. This is a controlled copy if used internally