

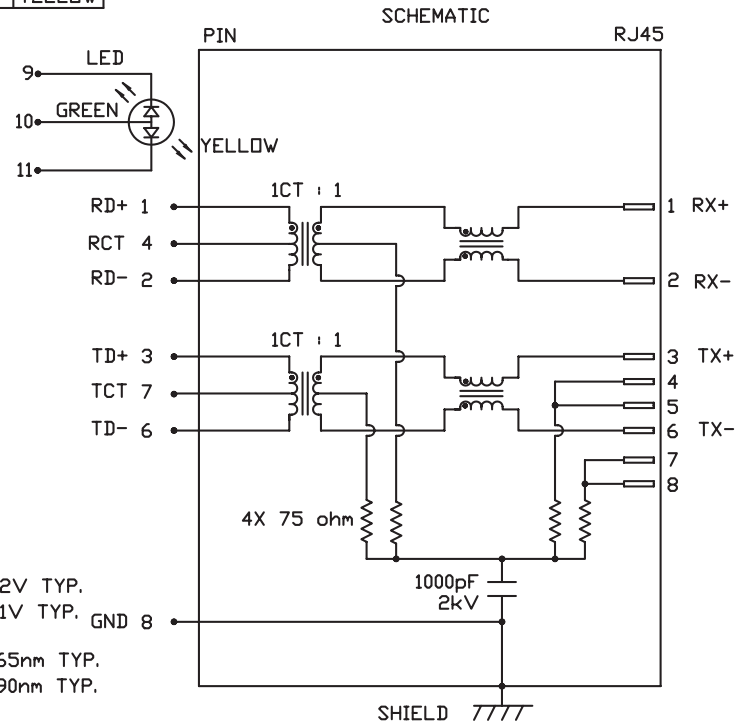
INTEGRATED CONNECTOR MODULES
0810-2H8R-28-F 10/100Base-TX MagJack® 2 x 8 with LEDs



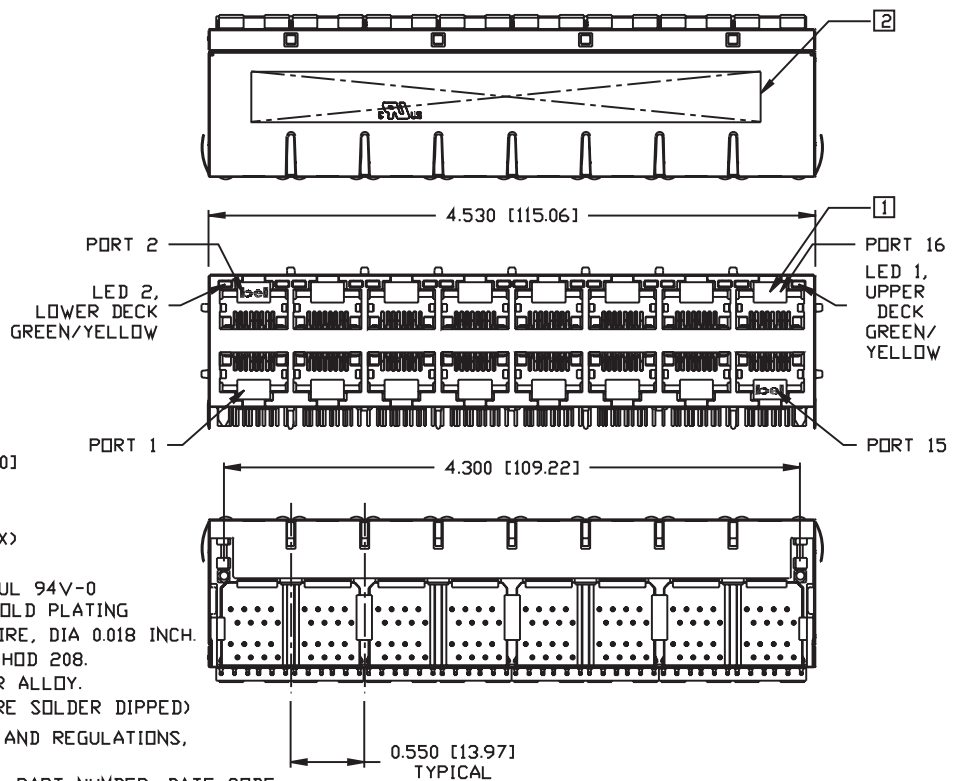
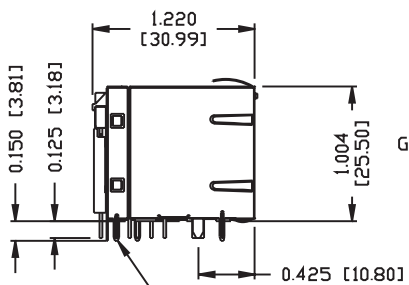
LED POLARITY			
PIN 9	PIN 10	PIN 11	COLOR
-	+	/	GREEN
/	+	-	YELLOW

ELECTRICAL CHARACTERISTICS @ 25°C

RETURN LOSS (MIN.)				
1MHz-30MHz				-18 dB
60MHz-80MHz				-12 dB
INSERTION LOSS				
100KHz TO 100MHz				-1.1 dB
OCL @ 0.1V, 100KHz				
8mA DC BIAS				350µH MIN.
TURNS RATIO				
				1CT : 1CT ±3%
XTALK				
100KHz TO 100MHz				-35 dB MIN.
LED				
V _F (FORWARD VOLTAGE)	IF=20mA	YELLOW GREEN	2.2V TYP.	
		YELLOW	2.1V TYP.	
λ _D (DOMINANT WAVELENGTH)	IF=20mA	YELLOW GREEN	565nm TYP.	
		YELLOW	590nm TYP.	
HIPOT (Isolation Voltage):	1500	V _{rms}		



INTEGRATED CONNECTOR MODULES
0810-2H8R-28-F 10/100Base-TX MagJack® 2 x 8 with LEDs



NOTES:

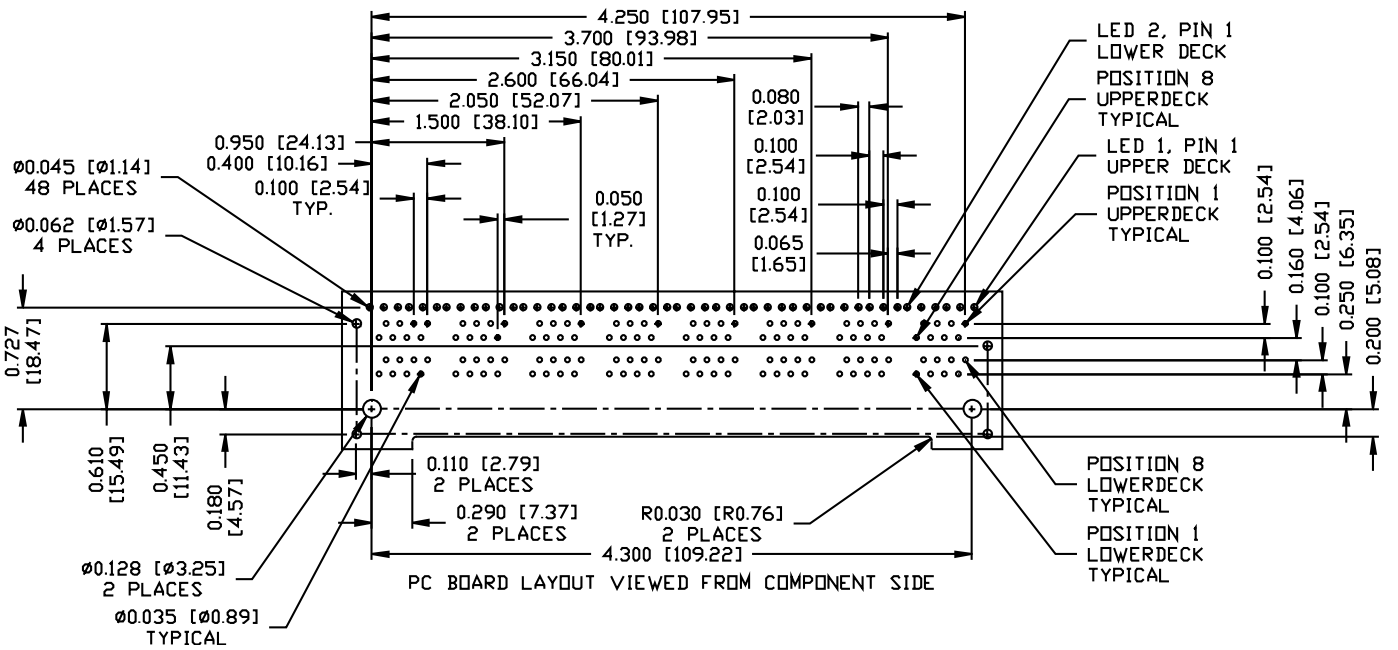
- PLASTIC HOUSING: THERMOPLASTIC PBT
FLAMMABILITY RATING UL 94V-0
- CONTACT PLATING: 30 MICRO-INCH HARD GOLD PLATING
- OUTPUT PINS: TIN-COATED COPPER WIRE, DIA 0.018 INCH.
- SOLDERABILITY: PER MIL STD. 202, METHOD 208.
- METAL SHIELD: NICKEL PLATED COPPER ALLOY.
(ALL GROUND LEADS ARE SOLDER DIPPED)

- 1 JACK CAVITY CONFORMS TO FCC RULES AND REGULATIONS, PART 68 SUBPART F.
- 2 MARK PART WITH MFG. LOGO; MFG. NAME; PART NUMBER; DATE CODE.

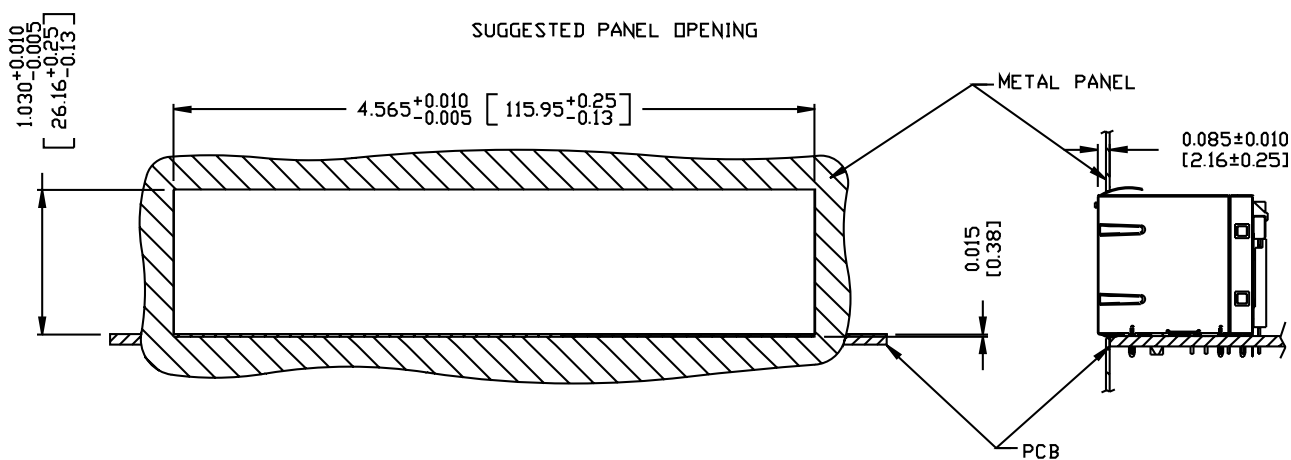
UL RECOGNIZED - FILE #E196366 AND E169987.

RoHS COMPLIANCE, PER EU DIRECTIVE 2002/95/EC

INTEGRATED CONNECTOR MODULES
0810-2H8R-28-F 10/100Base-TX MagJack® 2 x 8 with LEDs



INTEGRATED CONNECTOR MODULES
0810-2H8R-28-F 10/100Base-TX MagJack® 2 x 8 with LEDs



NOTES:

THE DISTANCE OF PANEL INSIDE SURFACE RELATIVE TO FRONT SURFACE OF PART IS ONLY A SUGGESTION. IN CASE THIS DISTANCE IS DIFFERENT, THE REQUIRED PANEL OPENING DIMENSIONS CHANGE ACCORDINGLY.

PACKING INFORMATION

PACKING TRAY : 0200-9999-B2 (TOP)
 0200-9999-B3 (BOTTOM)

PACKING QUANTITY : 10 PCS FINISHED GOODS PER TRAY
 7 TRAY (70 PCS FINISHED GOODS) PER CARTON BOX

NOTE : CARDBOARDS ARE PLACED BETWEEN LAYERS OF PACKING TRAY INSIDE CARTON BOX (INCLUDE THE UPPERMOST AND LOWERMOST TRAY)