

INTEGRATED CONNECTOR MODULES

C850-2G3R-54 Gigabit Ethernet Compressor MagJack® 2 x 3 with LEDs



LED 1 & 3 POLARITY			LED 2 & 4 POLARITY		
PIN 11	PIN 12	COLOR	PIN 13	PIN 14	COLOR
+	-	GREEN	+	-	GREEN

ELECTRICAL CHARACTERISTICS @ 25°C

TURNS RATIO

TP1	1CT : 1CT ±2%
TP2	1CT : 1CT ±2%
TP3	1CT : 1CT ±2%
TP4	1CT : 1CT ±2%

DCL @ 100kHz/100mVRMS
8mA DC BIAS

350µH MIN.

INS. LOSS

0.1MHz TO 1MHz	-1.1 dB MAX
1MHz TO 65MHz	-0.5 dB MAX
65MHz TO 100MHz	-0.8 dB MAX
100MHz TO 125MHz	-1.2 dB MAX

RET. LOSS (MIN) @ 100 OHMS +/-15%

0.5MHz-40MHz	-18 dB
40MHz-100MHz	-12+20LOG(f/80MHz) dB

CM TO CM REJ

100kHz - 100MHz -30 dB MIN

CM TO DM REJ

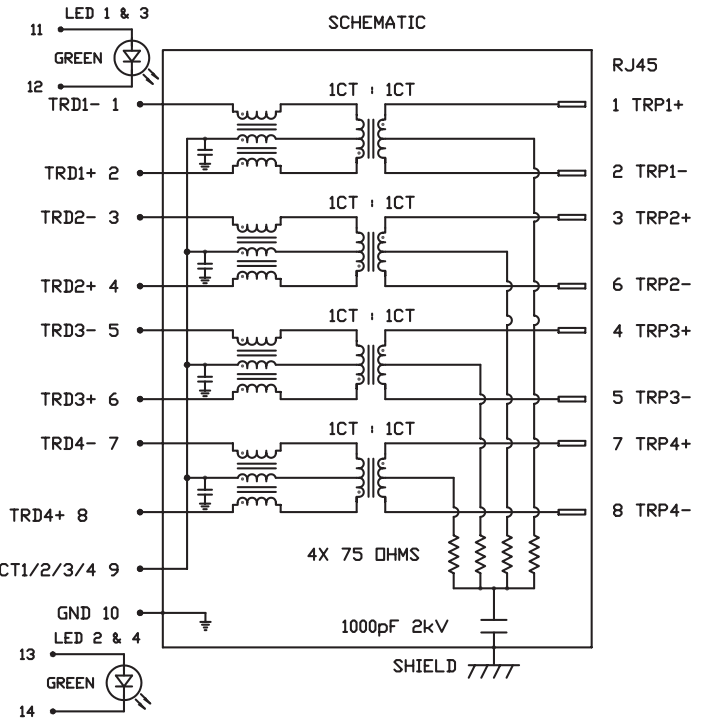
100kHz - 100MHz -35 dB MIN

HIPOT (Isolation Voltage): 1500 Vrms or 2250 VDC

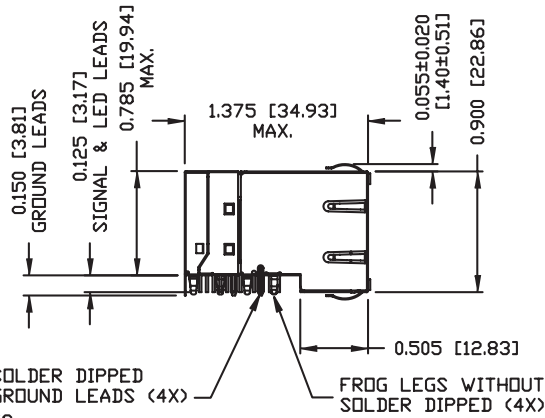
100% OF PRODUCT TESTED IN PRODUCTION

LED 1,LED 2,LED 3 & LED 4

V _F (FORWARD VOLTAGE)	IF=20mA GREEN 2.2V TYP.
λ _D (DOMINANT WAVELENGTH)	IF=20mA GREEN 565nm TYP.

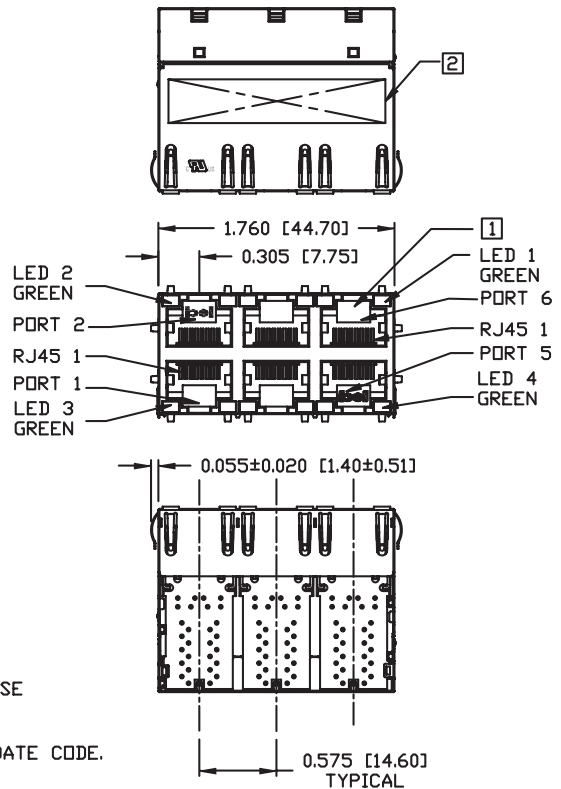


INTEGRATED CONNECTOR MODULES
C850-2G3R-54 Gigabit Ethernet Compressor MagJack® 2 x 3 with LEDs



NOTES:
 PLASTIC HOUSING: THERMOPLASTIC PBT
 FLAMMABILITY RATING UL 94V-0
 CONTACT PLATING: 50 MICRO-INCH HARD GOLD PLATING
 OUTPUT PINS: TIN-COATED COPPER WIRE, DIA 0.018 INCH.
 METAL SHIELD: NICKEL PLATED COPPER ALLOY.
 (ALL GROUND LEADS ARE SOLDER DIPPED)
 FRDG LEGS ARE FOR PDB RETENTION
 FORCE ONLY AND NOT FOR GROUNDING PURPOSE

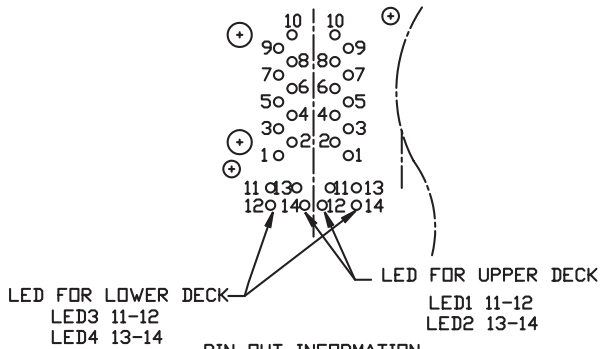
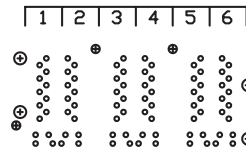
- ① JACK CAVITY CONFORMS TO FCC RULES AND REGULATIONS, PART 68 SUBPART F.
 - ② MARK PART WITH MFG LOGO, MFG NAME, PART NUMBER, AND DATE CODE.
- UL RECOGNIZED - FILE #E196366 AND E169987.
 RoHS COMPLIANCE, PER EU DIRECTIVE 2002/95/EC.



INTEGRATED CONNECTOR MODULES
C850-2G3R-54 Gigabit Ethernet Compressor MagJack® 2 x 3 with LEDs

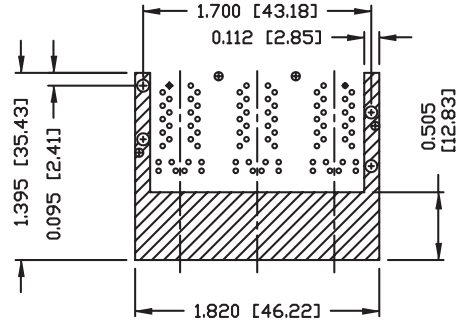


PORT ASSIGNMENT
(COMPONENT SIDE VIEW)



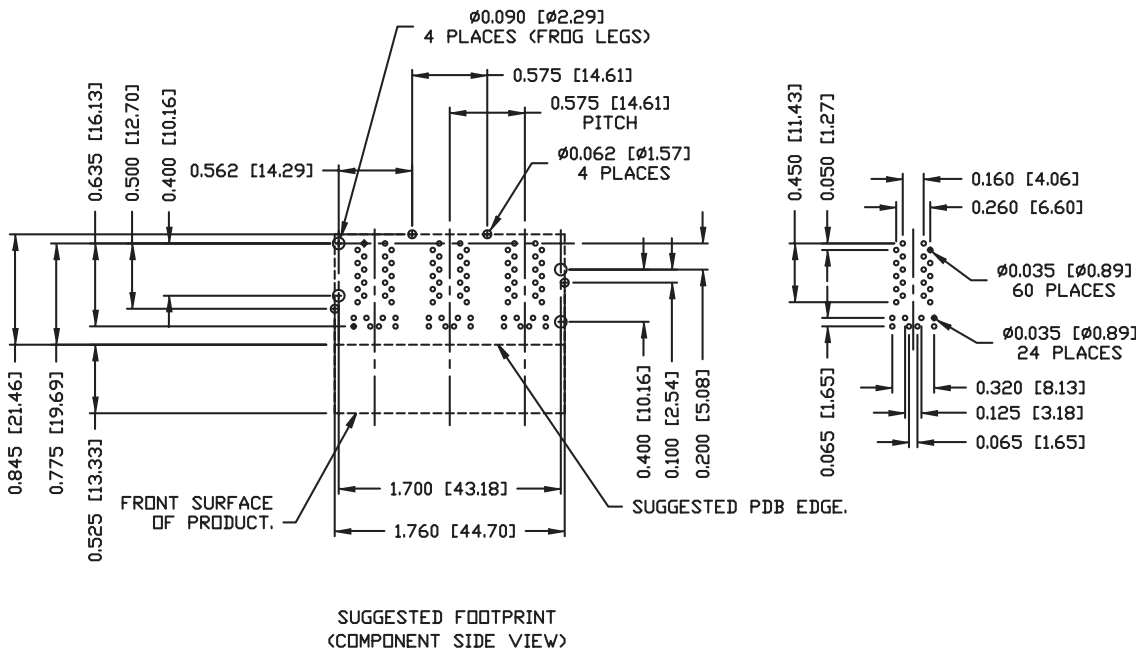
PIN-OUT INFORMATION
(COMPONENT SIDE VIEW)

10	GND
9	TRDCT1/2/3/4
8	TRD 4+
7	TRD 4-
6	TRD 3+
5	TRD 3-
4	TRD 2+
3	TRD 2-
2	TRD 1+
1	TRD 1-

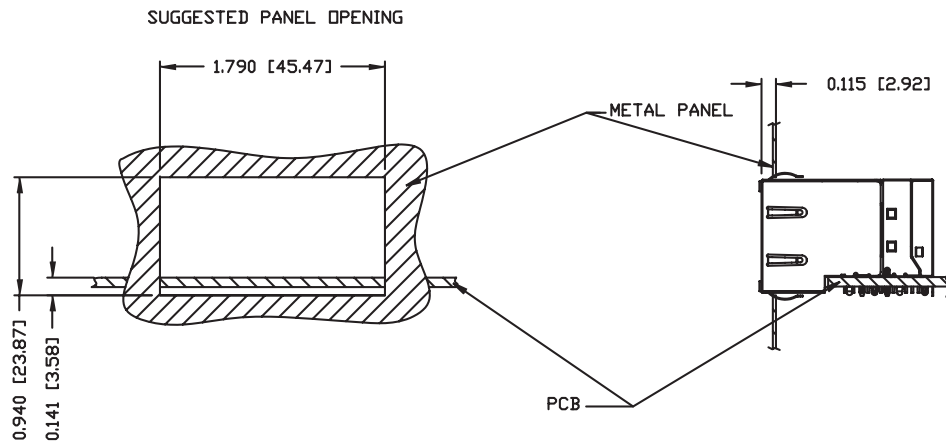


THE SHADED AREA ON THE CUSTOMER BOARD ARE RECOMMENDED TO BE CLEAR OFF ANY VIA HOLE OR COMPONENT PAD.

INTEGRATED CONNECTOR MODULES
C850-2G3R-54 Gigabit Ethernet Compressor MagJack® 2 x 3 with LEDs



INTEGRATED CONNECTOR MODULES
C850-2G3R-54 Gigabit Ethernet Compressor MagJack® 2 x 3 with LEDs



NOTE:

THE DISTANCE OF PANEL INSIDE SURFACE RELATIVE TO FRONT SURFACE OF PART IS ONLY A SUGGESTION. IN CASE THIS DISTANCE IS DIFFERENT, THE REQUIRED PANEL OPENING DIMENSIONS CHANGE ACCORDINGLY.

PACKING INFORMATION

PACKING TRAY : 0200-9999-G8 (TOP)

0200-9999-G9 (BOTTOM)

PACKING QUANTITY : 30 PDS FINISHED GOODS PER TRAY.

6 TRAYS (180 PDS FINISHED GOODS) PER CARTON BOX.

NOTE : CARDBOARDS ARE PLACED BETWEEN LAYERS OF PACKING TRAY INSIDE CARTON BOX.

(INCLUDE THE UPPERMOST AND LOWERMOST TRAY)