

## INTEGRATED CONNECTOR MODULES

### 0879-2C2R-54 Gigabit Ethernet MagJack® 2 x 2 with LEDs



LED 1 & 3 POLARITY			LED 2 & 4 POLARITY		
PIN 11	PIN 12	COLOR	PIN 13	PIN 14	COLOR
-	+	YELLOW	-	+	YELLOW
+	-	GREEN	+	-	GREEN

#### ELECTRICAL CHARACTERISTICS @ 25°C

##### URNS RATIO

TP1	1CT : 1CT ±2%
TP2	1CT : 1CT ±2%
TP3	1CT : 1CT ±2%
TP4	1CT : 1CT ±2%

##### DCL @ 100kHz/100mVRMS

8mA DC BIAS 350µH MIN.

##### INS. LOSS

0.1MHz TO 1MHz	-1.1 dB MAX
1MHz TO 65MHz	-0.5 dB MAX
65MHz TO 100MHz	-0.8 dB MAX
100MHz TO 125MHz	-1.2 dB MAX

##### RET. LOSS (MIN)

0.5MHz-40MHz	-18 dB
40MHz-100MHz	-12+20LOG(f/80MHz) dB

##### CM TO CM REJ

100kHz - 100MHz -30 dB MIN

##### CM TO DM REJ

100kHz - 100MHz -35 dB MIN

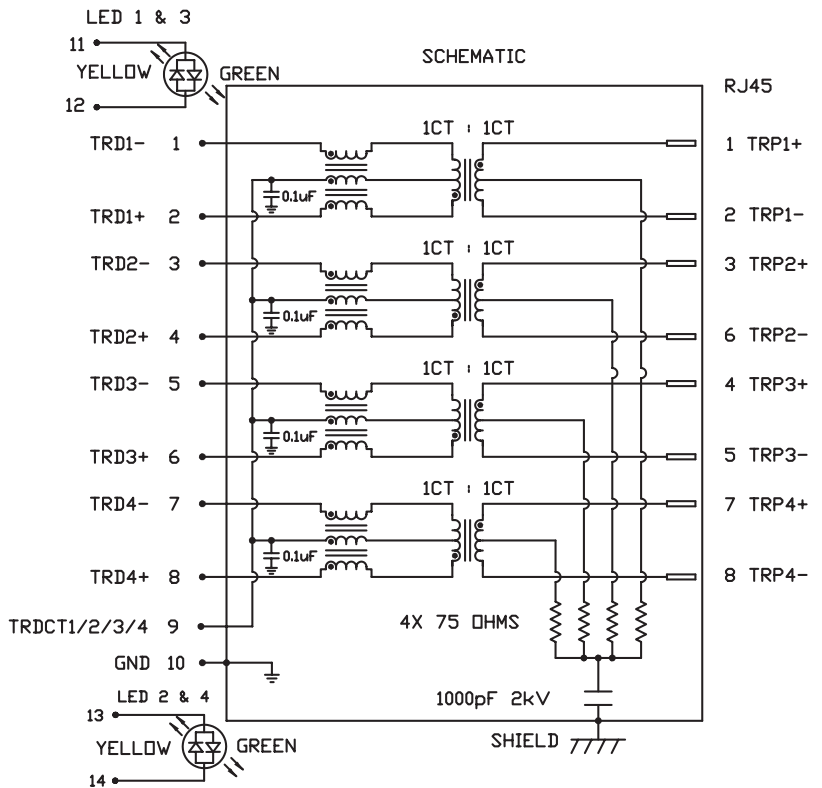
##### HIPOT (Isolation Voltage):

1500 Vrms or 2250VDC

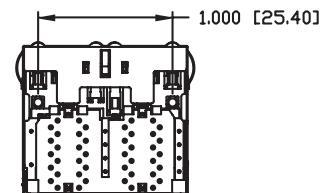
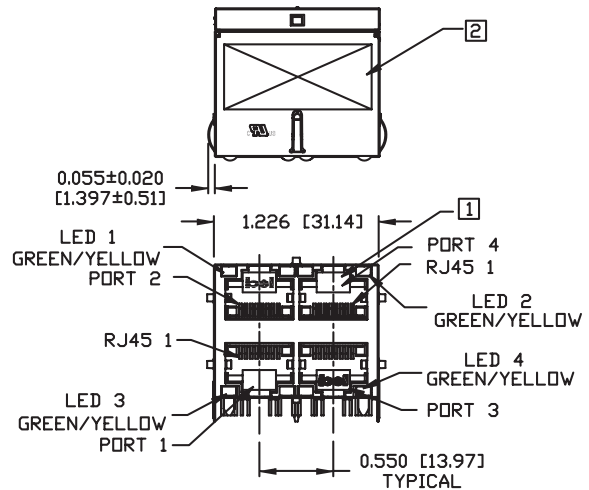
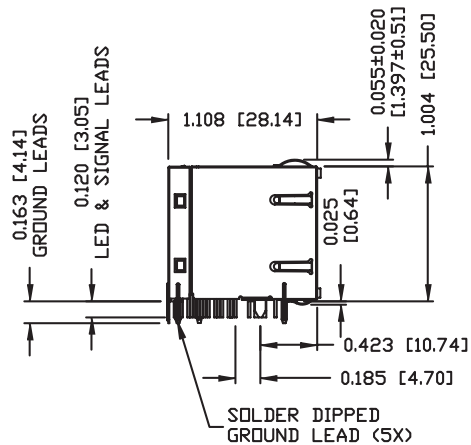
##### LEDS 1, 2, 3 AND 4

VF (FORWARD VOLTAGE) IF=20mA GREEN 2.2V TYP.  
IF=20mA YELLOW 2.1V TYP.

λD (DOMINANT WAVELENGTH) IF=20mA GREEN 565nm TYP.  
IF=20mA YELLOW 590nm TYP.

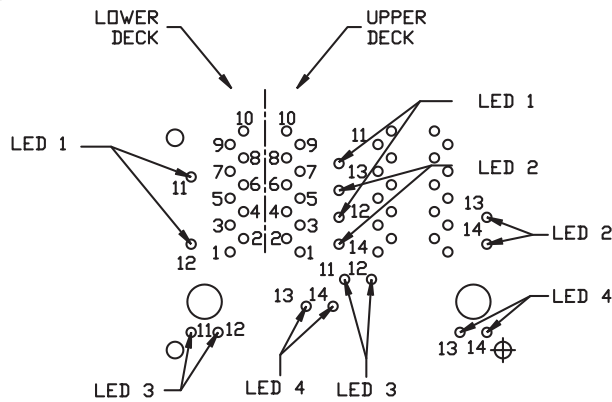


**INTEGRATED CONNECTOR MODULES**  
**0879-2C2R-54 Gigabit Ethernet MagJack® 2 x 2 with LEDs**



- NOTES:
- PLASTIC HOUSING: THERMOPLASTIC PBT  
FLAMMABILITY RATING UL 94V-0
  - CONTACT PLATING: 50 MICRO-INCH HARD GOLD PLATING
  - OUTPUT PINS: TIN-COATED COPPER WIRE, DIA 0.018 INCH.
  - METAL SHIELD: NICKEL PLATED COPPER ALLOY.  
(ALL GROUND LEADS ARE SOLDER DIPPED)
  - [1] JACK CAVITY CONFORMS TO FCC RULES AND REGULATIONS,  
PART 68 SUBPART F.
  - [2] MARK PART WITH MFG LOGO, MFG NAME, PART NUMBER, AND DATE CODE.
  - 3. RoHS COMPLIANCE, PER EU DIRECTIVE 2002/95/EC.
- UL RECOGNIZED - FILE #E196366 AND E169987.

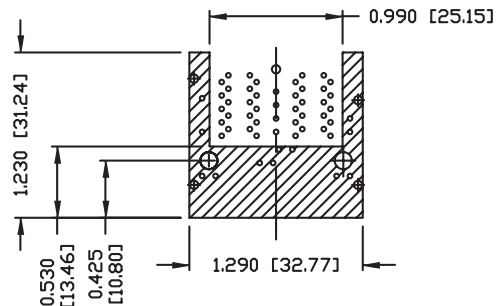
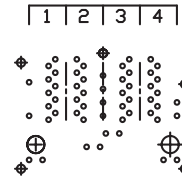
**INTEGRATED CONNECTOR MODULES**  
**0879-2C2R-54 Gigabit Ethernet MagJack® 2 x 2 with LEDs**



PIN-OUT INFORMATION  
(COMPONENT SIDE VIEW)

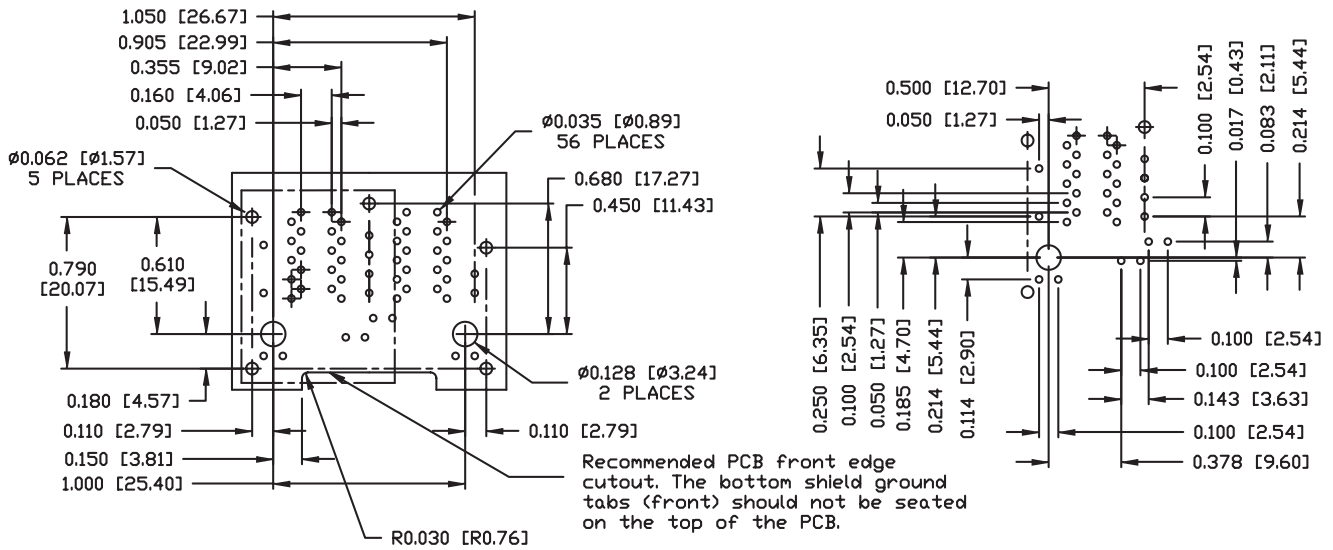
10	GND
9	TRDCT1/2/3/4
8	TRD 4+
7	TRD 4-
6	TRD 3+
5	TRD 3-
4	TRD 2+
3	TRD 2-
2	TRD 1+
1	TRD 1-

PORT ASSIGNMENT  
(COMPONENT SIDE VIEW)



THE SHADED AREA ON THE CUSTOMER BOARD ARE RECOMMENDED TO BE CLEAR OFF ANY VIA HOLE OR COMPONENT PAD.

**INTEGRATED CONNECTOR MODULES**  
**0879-2C2R-54 Gigabit Ethernet MagJack® 2 x 2 with LEDs**

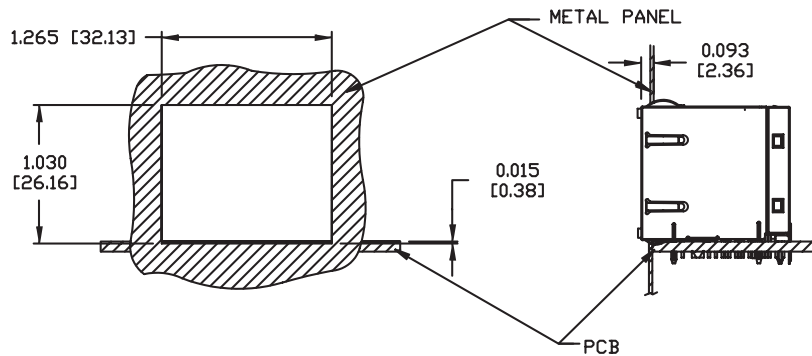


SUGGESTED FOOTPRINT  
 (COMPONENT SIDE VIEW)

**INTEGRATED CONNECTOR MODULES**  
**0879-2C2R-54 Gigabit Ethernet MagJack® 2 x 2 with LEDs**



SUGGESTED PANEL OPENING



**NOTE:**

THE DISTANCE OF PANEL INSIDE SURFACE RELATIVE TO FRONT SURFACE OF PART IS ONLY A SUGGESTION. IN CASE THIS DISTANCE IS DIFFERENT, THE REQUIRED PANEL OPENING DIMENSIONS CHANGE ACCORDINGLY.

**PACKING INFORMATION**

PACKING TRAY : 0200-9999-P5 (TOP)  
 0200-9999-P6 (BOTTOM)

PACKING QUANTITY : 28 PCS FINISHED GOODS PER TRAY  
 8 TRAYS (224 PCS FINISHED GOODS) PER CARTON BOX

NOTE : CARDBOARDS ARE PLACED BETWEEN LAYERS OF PACKING TRAY INSIDE CARTON BOX (INCLUDE THE UPPERMOST AND LOWERMOST TRAY)