

THE INFORMATION CONTAINED HEREIN IS CONSIDERED "PROPRIETARY" TO BEL FUSE INC. AND SHALL NOT BE COPIED, REPRODUCED OR DISCLOSED WITHOUT THE WRITTEN APPROVAL OF BEL FUSE INC.

RoHS  
2002/95/EC



| LED1 POLARITY |        |        | LED2 POLARITY |        |        |
|---------------|--------|--------|---------------|--------|--------|
| PIN 13        | PIN 14 | COLOR  | PIN 15        | PIN 16 | COLOR  |
| +             | -      | ORANGE | +             | -      | ORANGE |
| -             | +      | GREEN  | -             | +      | GREEN  |

**ELECTRICAL CHARACTERISTICS @ 25°C**

**TURNS RATIO**

|     |               |
|-----|---------------|
| TP1 | 1CT : 1CT ±2% |
| TP2 | 1CT : 1CT ±2% |
| TP3 | 1CT : 1CT ±2% |
| TP4 | 1CT : 1CT ±2% |

**DCL @ 100kHz/100mVRMS**

8mA DC BIAS 350µH MIN.

**INS. LOSS**

|                  |             |
|------------------|-------------|
| 0.1MHz TO 1MHz   | -11 dB MAX  |
| 1MHz TO 65MHz    | -0.5 dB MAX |
| 65MHz TO 100MHz  | -0.8 dB MAX |
| 100MHz TO 125MHz | -1.2 dB MAX |

**RET. LOSS (MIN)**

|              |                       |
|--------------|-----------------------|
| 0.5MHz-40MHz | -18 dB                |
| 40MHz-100MHz | -12+20LOG(f/80MHz) dB |

**CM TO CM REJ**

100kHz - 100MHz -30 dB MIN

**CM TO DM REJ**

100kHz - 100MHz -35 dB MIN

**HIPOT (Isolation Voltage):**

1500 Vrms

100% OF PRODUCTION TESTED

TO COMPLY WITH IEEE 802.3 REQUIREMENTS

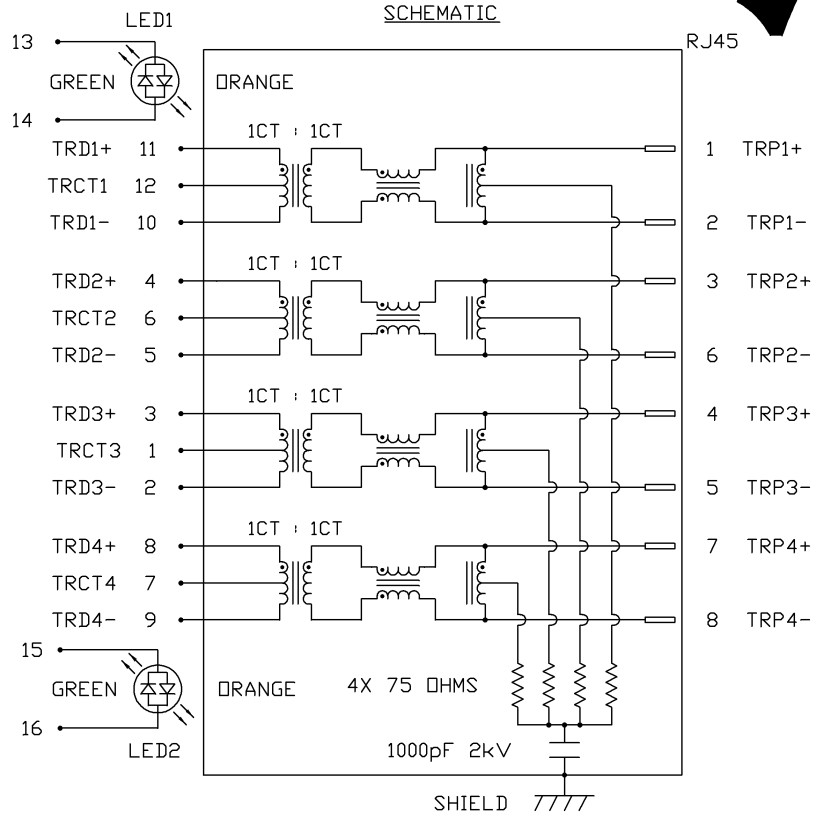
**LED 1 & LED 2**

V<sub>F</sub> (FORWARD VOLTAGE) IF=20mA GREEN 2.2V TYP.

ORANGE 2.0V TYP.

λ<sub>D</sub> (DOMINANT WAVELENGTH) IF=20mA GREEN 565nm TYP.

ORANGE 610nm TYP.



| ORIGINATED BY | DATE     | TITLE                                      | PART NO. / DRAWING NO. | STANDARD DIM. TOL. IN INCH | [ ] METRIC DIM. AS REFERENCE                                   |
|---------------|----------|--------------------------------------------|------------------------|----------------------------|----------------------------------------------------------------|
| CHOW WANCHUNG | 08-06-08 | 1X4 gigabit MagJack®<br>(12 cores, Tab Up) | 08261B4T23-F           | .X<br>.XX<br>.XXX          | UNIT : INCH [mm] REV. : B<br>SCALE : N/A SIZE : A4<br>PAGE : 2 |
| DRAWN BY      | DATE     |                                            | FILE NAME              |                            |                                                                |
| WEIDE LEE     | 08-06-08 |                                            | 08261B4T23-F_B.DWG     |                            |                                                                |



DC002(2)032305

This document is electronically generated. This is a controlled copy if used internally

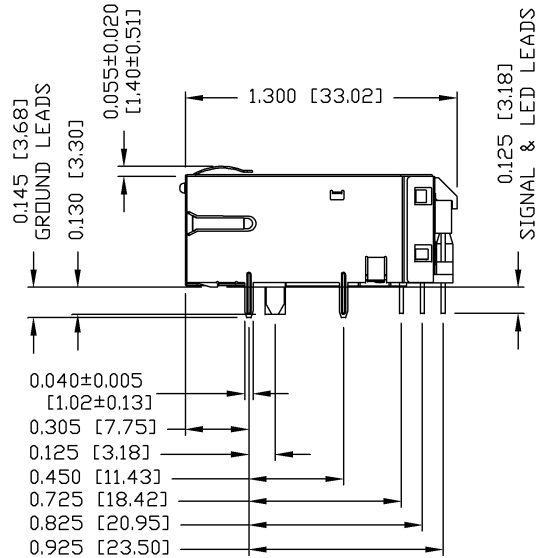
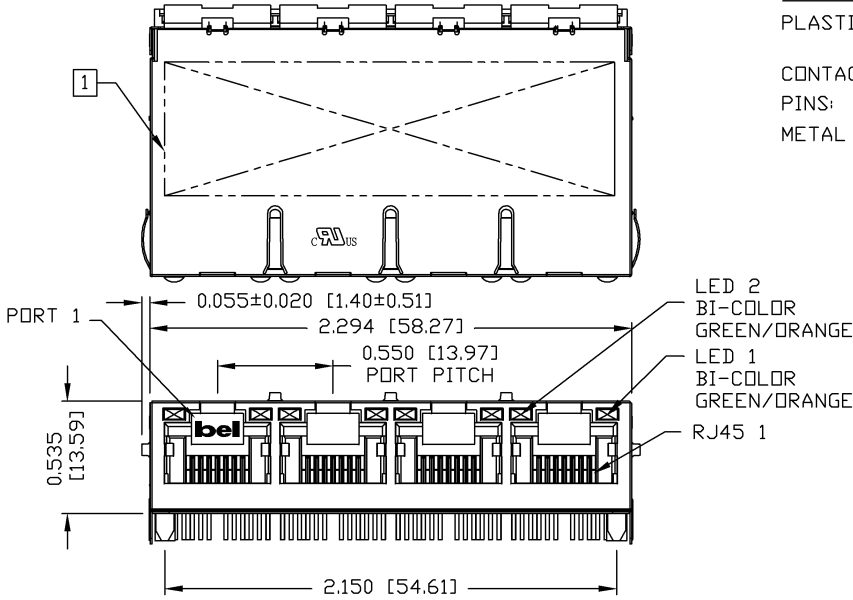
THE INFORMATION CONTAINED HEREIN IS CONSIDERED "PROPRIETARY" TO BEL FUSE INC. AND SHALL NOT BE COPIED, REPRODUCED OR DISCLOSED WITHOUT THE WRITTEN APPROVAL OF BEL FUSE INC.

RoHS  
2002/95/EC



**NOTES:**

- PLASTIC HOUSING: THERMOPLASTIC PBT  
FLAMMABILITY RATING UL 94V-0
- CONTACTS PLATING: 50 MICRO-INCH HARD GOLD PLATING
- PINS: TIN-COATED COPPER WIRE, DIA 0.018 INCH.
- METAL SHIELD: NICKEL PLATED ON COPPER ALLOY.  
(ALL GROUND LEADS ARE SOLDER DIPPED)



- 1] MARK PART WITH MFG LOGO, MFG NAME, PART NUMBER AND DATE CODE.
- 2. RoHS COMPLIANCE, PER EU DIRECTIVE 2002/95/EC.
- UL RECOGNIZED - FILE #E196366 AND E169987.
- JACK CAVITY CONFORMS TO FCC RULES AND REGULATIONS.

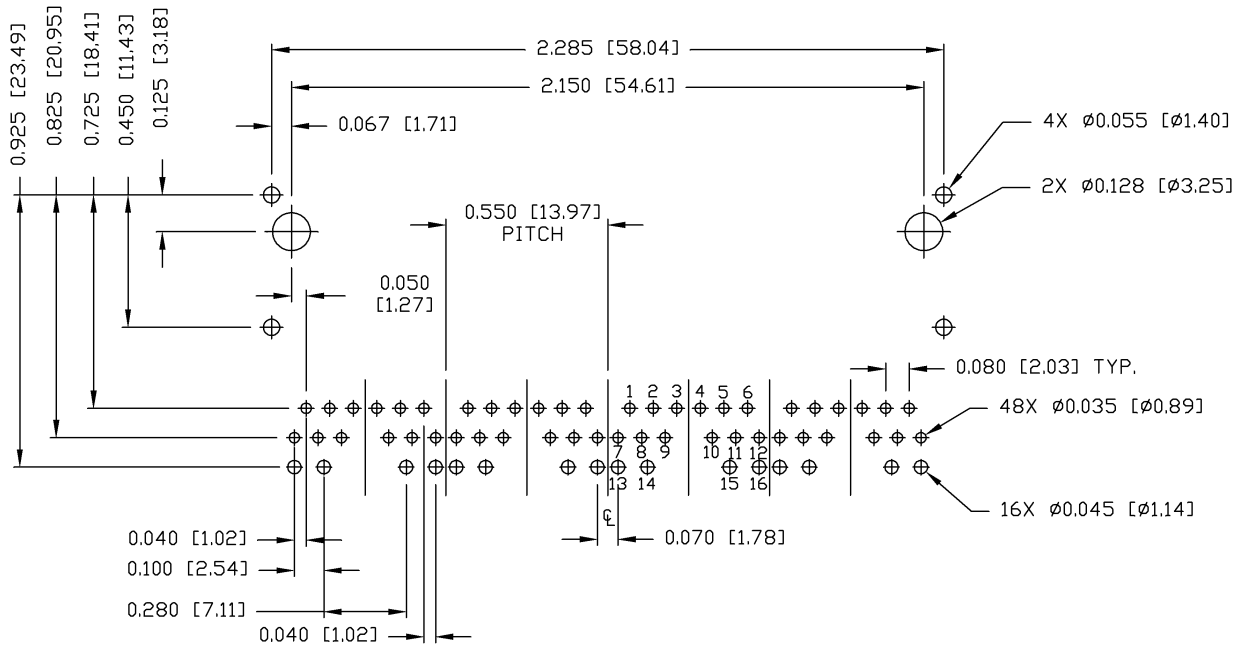
|                           |                  |                                                     |                                        |                               |                              |                                            |           |
|---------------------------|------------------|-----------------------------------------------------|----------------------------------------|-------------------------------|------------------------------|--------------------------------------------|-----------|
| ORIGINATED BY<br>ZX HUANG | DATE<br>08-06-08 | TITLE<br>1X4 gigabit MagJack®<br>(12 cores, Tab Up) | PART NO. / DRAWING NO.<br>08261B4T23-F | STANDARD DIM.<br>TOL. IN INCH | [ ] METRIC DIM. AS REFERENCE | <br>COMPONENTS ON A<br>CONNECTED<br>PLANET |           |
| DRAWN BY<br>BL CHEN       | DATE<br>08-06-08 | FILE NAME<br>0826-1B4T-23-F                         | 08261B4T23-F_B.DWG                     | .X                            | UNIT : INCH [mm]             |                                            | REV. : B  |
|                           |                  |                                                     |                                        | .XX                           | SCALE : N/A                  |                                            | SIZE : A4 |
|                           |                  |                                                     |                                        | .XXX ±0.010                   |                              |                                            | PAGE : 3  |

DC002(2)092805

This document is electronically generated. This is a controlled copy if used internally

THE INFORMATION CONTAINED HEREIN IS CONSIDERED "PROPRIETARY" TO BEL FUSE INC. AND SHALL NOT BE COPIED, REPRODUCED OR DISCLOSED WITHOUT THE WRITTEN APPROVAL OF BEL FUSE INC.

RoHS  
2002/95/EC



RECOMMENDED PCB FOOTPRINT  
COMPONENT SIDE VIEW

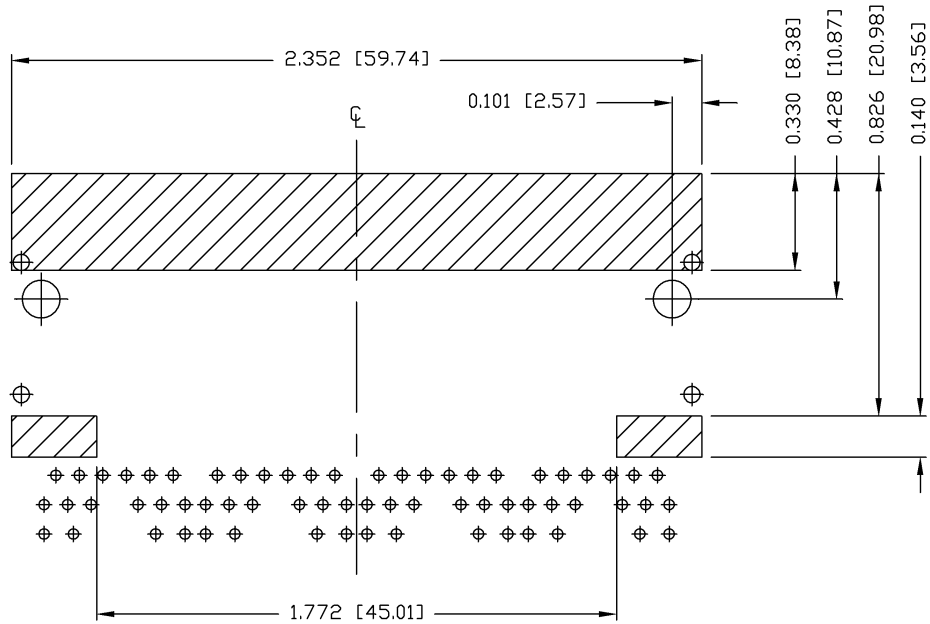
|                           |                  |                                                                       |                                        |                               |                                             |
|---------------------------|------------------|-----------------------------------------------------------------------|----------------------------------------|-------------------------------|---------------------------------------------|
| ORIGINATED BY<br>ZX HUANG | DATE<br>08-06-08 | TITLE<br>1X4 gigabit MagJack®<br>(12 cores, Tab Up)<br>0826-1B4T-23-F | PART NO. / DRAWING NO.<br>08261B4T23-F | STANDARD DIM.<br>TOL. IN INCH | [ ] METRIC DIM. AS REFERENCE                |
| DRAWN BY<br>BL CHEN       | DATE<br>08-06-08 |                                                                       | FILE NAME<br>08261B4T23-F_B.DWG        | .X<br>.XX<br>.XXX ±0.004      | UNIT : INCH [mm]<br>SCALE : N/A<br>REV. : B |
|                           |                  |                                                                       |                                        |                               | SIZE : A4<br>PAGE : 4                       |



DC002(2)092905

This document is electronically generated. This is a controlled copy if used internally

THE INFORMATION CONTAINED HEREIN IS CONSIDERED "PROPRIETARY" TO BEL FUSE INC. AND SHALL NOT BE COPIED, REPRODUCED OR DISCLOSED WITHOUT THE WRITTEN APPROVAL OF BEL FUSE INC.



**NOTES:**

THE SHADED AREA ON THE CUSTOMER BOARD ARE RECOMMENDED TO BE CLEAR OFF ANY VIA HOLE OR COMPONENT PAD.

|                                  |                         |                                                                             |                                               |                                      |                                     |                                                        |                                       |
|----------------------------------|-------------------------|-----------------------------------------------------------------------------|-----------------------------------------------|--------------------------------------|-------------------------------------|--------------------------------------------------------|---------------------------------------|
| <b>ORIGINATED BY</b><br>ZX HUANG | <b>DATE</b><br>08-06-08 | <b>TITLE</b><br>1X4 gigabit MagJack®<br>(12 cores,Tab Up)<br>0826-1B4T-23-F | <b>PART NO. / DRAWING NO.</b><br>08261B4T23-F | <b>STANDARD DIM.</b><br>TOL. IN INCH | <b>[ ] METRIC DIM. AS REFERENCE</b> | <b>REV. :</b> B<br><b>SIZE :</b> A4<br><b>PAGE :</b> 5 | <br>COMPONENTS FOR A CONNECTED PLANET |
| <b>DRAWN BY</b><br>BL CHEN       | <b>DATE</b><br>08-06-08 |                                                                             | <b>FILE NAME</b><br>08261B4T23-F_B.DWG        | .X<br>.XX<br>.XXX ±0.004             | UNIT : INCH [mm]<br>SCALE : N/A     |                                                        |                                       |

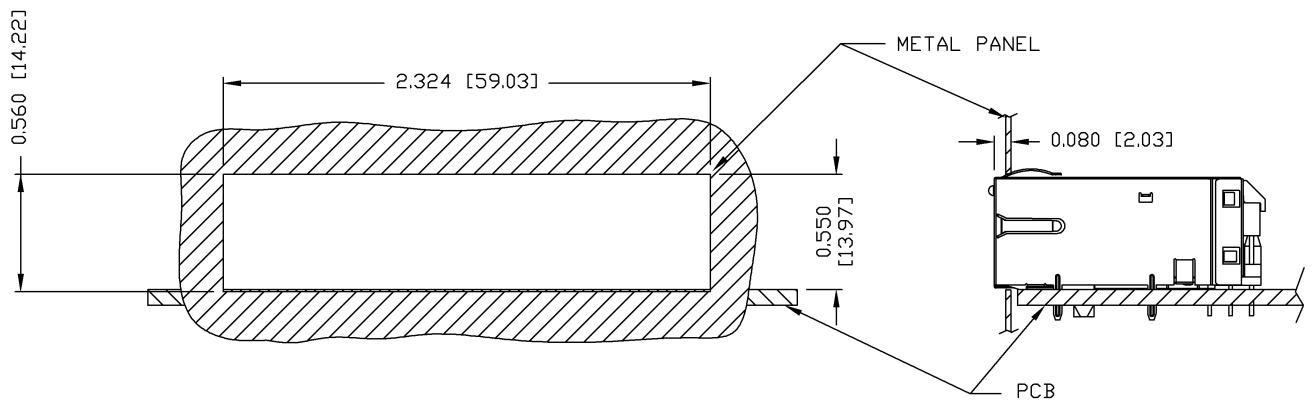
DC002(2)032305

This document is electronically generated. This is a controlled copy if used internally

THE INFORMATION CONTAINED HEREIN IS CONSIDERED "PROPRIETARY" TO BEL FUSE INC. AND SHALL NOT BE COPIED, REPRODUCED OR DISCLOSED WITHOUT THE WRITTEN APPROVAL OF BEL FUSE INC.



SUGGESTED PANEL OPENING



NOTES:

THE DISTANCE OF PANEL INSIDE SURFACE RELATIVE TO FRONT SURFACE OF PART IS ONLY A SUGGESTION. IN CASE THIS DISTANCE IS DIFFERENT, THE REQUIRED PANEL OPENING DIMENSIONS CHANGE ACCORDINGLY.

PACKING INFORMATION

PACKING TRAY : 0200-9999-B4 (TOP)  
0200-9999-B5 (BOTTOM)

PACKING QUANTITY : 24 PCS FINISHED GOODS PER TRAY  
10 TRAYS (240 PCS FINISHED GOODS) PER CARTON BOX

NOTE : CARDBOARDS ARE PLACED BETWEEN LAYERS OF PACKING TRAY INSIDE CARTON BOX  
(INCLUDE THE UPPERMOST AND LOWERMOST TRAY)

|                                  |                         |                                                            |                                               |                                      |                                     |                                   |                                                       |
|----------------------------------|-------------------------|------------------------------------------------------------|-----------------------------------------------|--------------------------------------|-------------------------------------|-----------------------------------|-------------------------------------------------------|
| <b>ORIGINATED BY</b><br>ZX HUANG | <b>DATE</b><br>08-06-08 | <b>TITLE</b><br>1X4 gigabit MagJack®<br>(12 cores, Tab Up) | <b>PART NO. / DRAWING NO.</b><br>08261B4T23-F | <b>STANDARD DIM.</b><br>TOL. IN INCH | <b>[ ] METRIC DIM. AS REFERENCE</b> |                                   | <b>bel</b><br>COMPONENTS FOR A<br>CONNECTED<br>PLANET |
| <b>DRAWN BY</b><br>BL CHEN       | <b>DATE</b><br>08-06-08 |                                                            | <b>FILE NAME</b><br>08261B4T23-F_B.DWG        | .X<br>.XX<br>.XXX ±0.004             | UNIT : INCH [mm]<br>SCALE : N/A     | REV. : B<br>SIZE : A4<br>PAGE : 6 |                                                       |

DC002(2)032305

This document is electronically generated. This is a controlled copy if used internally