

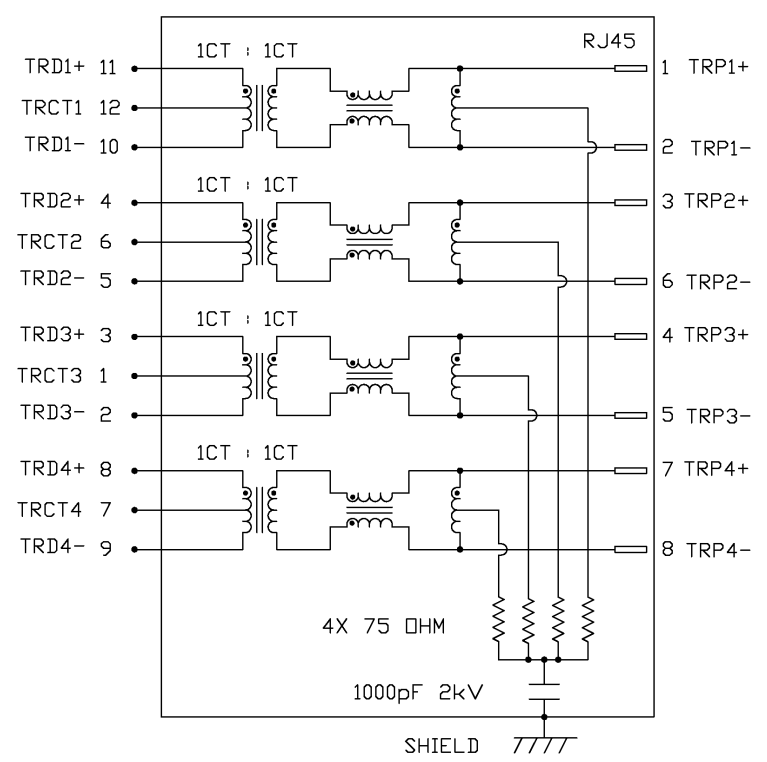
THE INFORMATION CONTAINED HEREIN IS CONSIDERED 'PROPRIETARY' TO BEL FUSE INC. AND SHALL NOT BE COPIED, REPRODUCED OR DISCLOSED WITHOUT THE WRITTEN APPROVAL OF BEL FUSE INC.



ELECTRICAL CHARACTERISTICS @ 25°C

TURNS RATIO	
TP1	1CT : 1CT ±2%
TP2	1CT : 1CT ±2%
TP3	1CT : 1CT ±2%
TP4	1CT : 1CT ±2%
□CL @ 100kHz/100mVRMS	
8mA DC BIAS	350µH MIN.
INS. LOSS	
0.1MHz TO 1MHz	-1.1 dB MAX
1MHz TO 65MHz	-0.5 dB MAX
65MHz TO 100MHz	-0.8 dB MAX
100MHz TO 125MHz	-1.2 dB MAX
RET. LOSS (MIN)	
0.5MHz-40MHz	-18 dB
40MHz-100MHz	-12+20LOG(f/80MHz) dB
CM TO CM REJ	
100kHz - 100MHz	-30 dB MIN
CM TO DM REJ	
100kHz - 100MHz	-35 dB MIN
HIPDT (Isolation Voltage):	1500 Vrms

SCHEMATIC

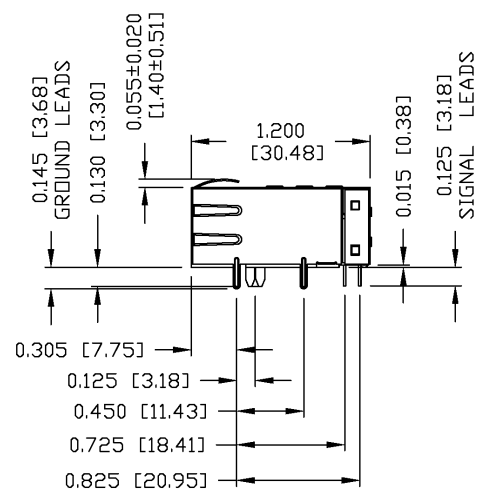
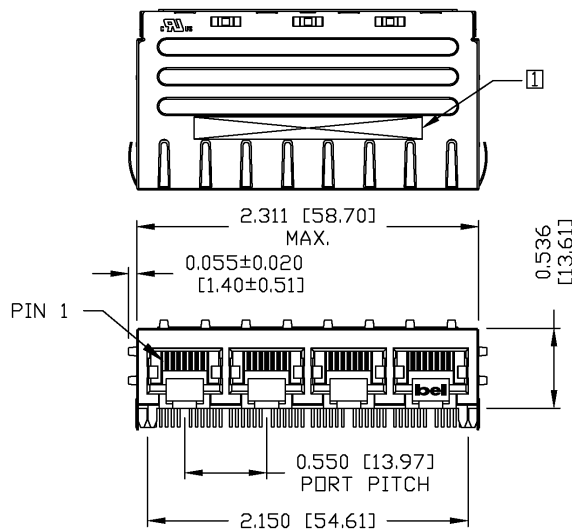


ORIGINATED BY CHUNG	DATE 06-25-05	TITLE glgabit MagJack® 1X4	PART NO. / DRAWING NO. 08131X4T23-F	STANDARD DIM. TOL. IN INCH	<input type="checkbox"/> METRIC DIM. AS REFERENCE
DRAWN BY DE	DATE 06-25-05		FILE NAME 08131X4T23-FA.DWG	.X .XX .XXX	UNIT : INCH [mm] SCALE : N/A REV. : A
					SIZE : A4 PAGE : 2



This document is electronically generated. This is a controlled copy if used internally

THE INFORMATION CONTAINED HEREIN IS CONSIDERED "PROPRIETARY" TO BEL FUSE INC. AND SHALL NOT BE COPIED, REPRODUCED OR DISCLOSED WITHOUT THE WRITTEN APPROVAL OF BEL FUSE INC.



- NOTES:**
 PLASTIC HOUSING: THERMOPLASTIC PBT
 FLAMMABILITY RATING UL 94V-0
 CONTACTS PLATING: 50 MICRO-INCH HARD GOLD PLATING
 PINS: TIN-COATED COPPER WIRE, DIA 0.018 INCH.
 METAL SHIELD: NICKEL OR TIN PLATED BRASS.
 (ALL NICKEL PLATED GROUND LEADS ARE SOLDER DIPPING)

□ MARK PART WITH MFG. LOGO; MFG. NAME; PART NUMBER; DATE CODE.

UL UL RECOGNIZED - FILE #E196366 AND E169987.
 RoHS COMPLIANCE, PER EU DIRECTIVE 2002/95/EC.

ORIGINATED BY BILL	DATE 06-25-05	TITLE gigabit MagJack® 1X4	PART NO. / DRAWING NO. 08131X4T23-F	STANDARD DIM. TOL. IN INCH	[] METRIC DIM. AS REFERENCE	REV. : A	bel COMPONENTS FOR A CONNECTED PLANET
DRAWN BY MEI	DATE 06-25-05		FILE NAME 08131X4T23-FA.DWG	.X .XX .XXX ±0.010	UNIT : INCH [mm] SCALE : N/A		

DC002(2)032305 This document is electronically generated. This is a controlled copy if used internally

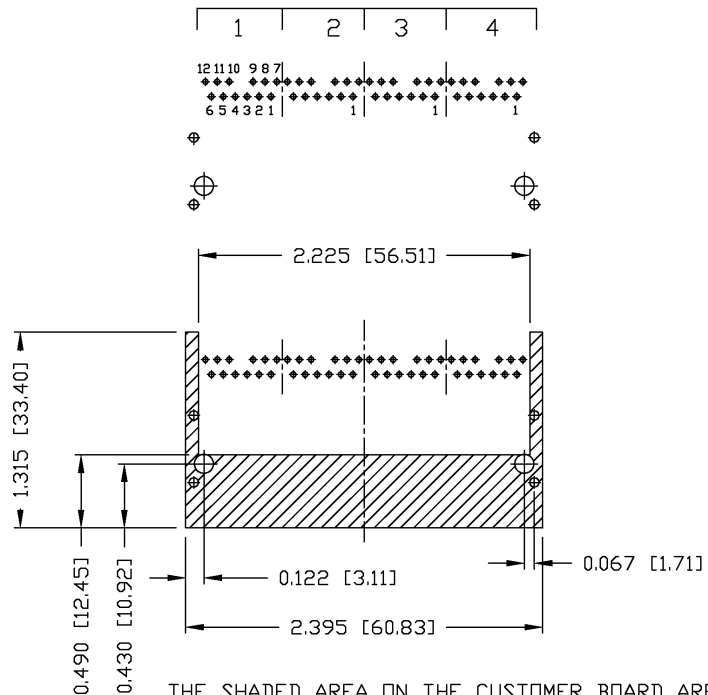
THE INFORMATION CONTAINED HEREIN IS CONSIDERED "PROPRIETARY" TO BEL FUSE INC. AND SHALL NOT BE COPIED, REPRODUCED OR DISCLOSED WITHOUT THE WRITTEN APPROVAL OF BEL FUSE INC.



PIN-OUT INFORMATION
(COMPONENT SIDE VIEW)

12	TRCT1
11	TRD1+
10	TRD1-
9	TRD4-
8	TRD4+
7	TRCT4
6	TRCT2
5	TRD2-
4	TRD2+
3	TRD3+
2	TRD3-
1	TRCT3

PIN AND PORT ASSIGNMENT
(COMPONENT SIDE VIEW)



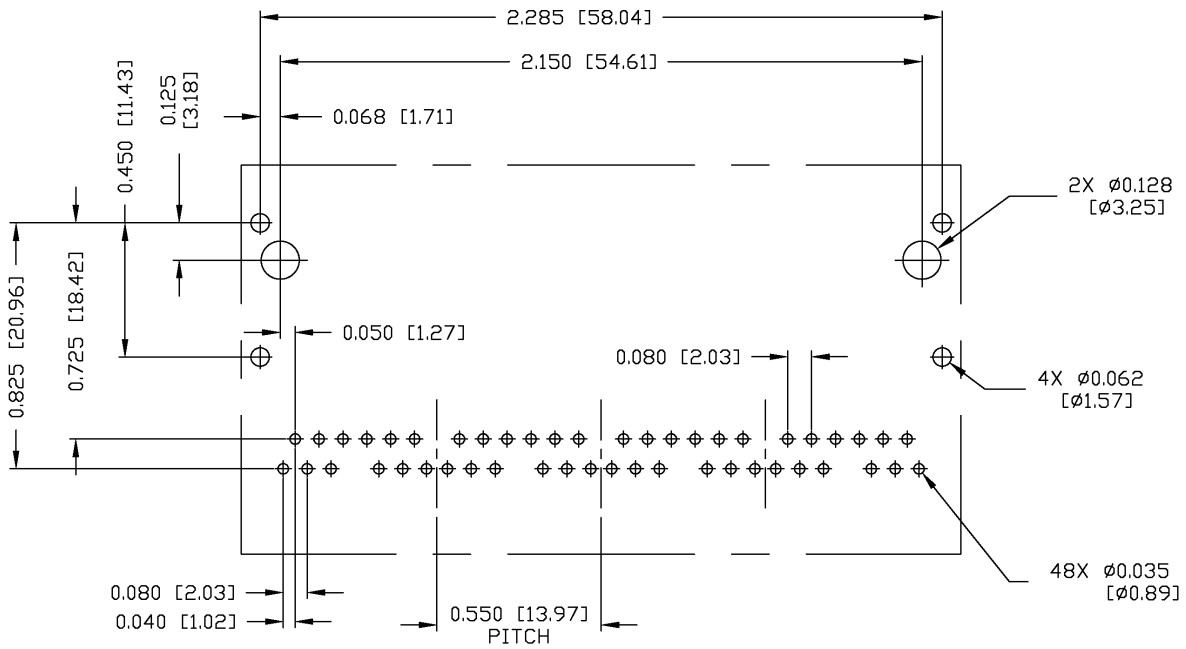
THE SHADED AREA ON THE CUSTOMER BOARD ARE RECOMMENDED TO BE CLEAR OFF ANY VIA HOLE OR COMPONENT PAD.

ORIGINATED BY BILL	DATE 06-25-05	TITLE gigabit MagJack® 1X4 0813-1X4T-23-F	PART NO. / DRAWING NO. 08131X4T23-F	STANDARD DIM.	[] METRIC DIM. AS REFERENCE
DRAWN BY MEI	DATE 06-25-05		FILE NAME 08131X4T23-FA.DWG	TOL. IN INCH .X .XX .XXX ±0.010	UNIT : INCH [mm] SCALE : N/A



DC002(2)032305 This document is electronically generated. This is a controlled copy if used internally

THE INFORMATION CONTAINED HEREIN IS CONSIDERED "PROPRIETARY" TO BEL FUSE INC. AND SHALL NOT BE COPIED, REPRODUCED OR DISCLOSED WITHOUT THE WRITTEN APPROVAL OF BEL FUSE INC.



RECOMMENDED PCB FOOTPRINT
(COMPONENT SIDE VIEW)

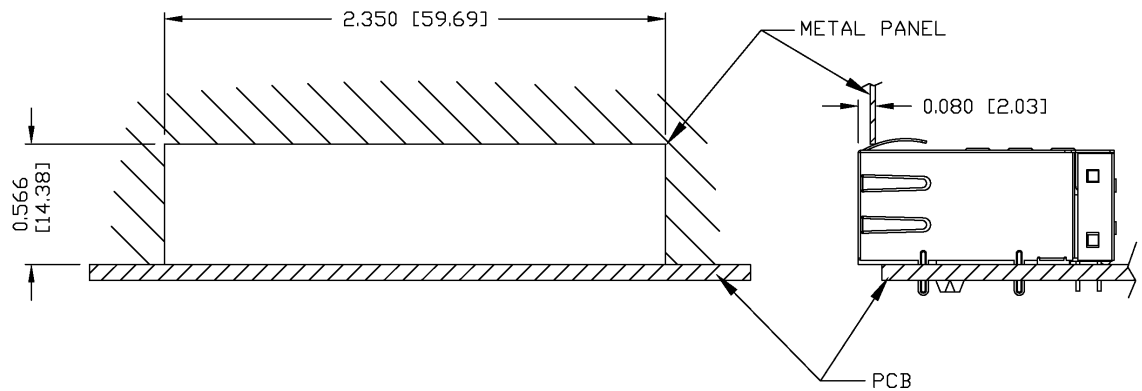
ORIGINATED BY BILL	DATE 06-25-05	TITLE gigabit MagJack® 1X4 0813-1X4T-23-F	PART NO. / DRAWING NO. 08131X4T23-F	STANDARD DIM. TOL. IN INCH	[] METRIC DIM. AS REFERENCE	bel COMPONENTS ON A CONNECTED PLANET
DRAWN BY MEI	DATE 06-25-05		FILE NAME 08131X4T23-FA.DWG	.X .XX .XXX ±0.010	UNIT : INCH [mm] SCALE : N/A	

DC002(2)082305 This document is electronically generated. This is a controlled copy if used internally

THE INFORMATION CONTAINED HEREIN IS CONSIDERED "PROPRIETARY" TO BEL FUSE INC. AND SHALL NOT BE COPIED, REPRODUCED OR DISCLOSED WITHOUT THE WRITTEN APPROVAL OF BEL FUSE INC.



SUGGESTED PANEL OPENING



PACKING INFORMATION

PACKING TRAY: 0200-0148-37 (TOP)
 0200-0148-38 (BOTTOM)
 PACKING QUANTITY: 20 PCS FINISHED GOODS PER TRAY
 8 TRAYS (160 PCS FINISHED GOODS) PER CARTON BOX
 NOTE: CARDBOARDS ARE PLACED BETWEEN LAYERS OF PACKING TRAY INSIDE CARTON BOX
 (INCLUDE THE UPPERMOST AND LOWERMOST TRAY)

ORIGINATED BY	DATE	TITLE	PART NO. / DRAWING NO.	STANDARD DIM.	[] METRIC DIM. AS REFERENCE	
BILL	06-25-05	gigabit MagJack® 1X4 0813-1X4T-23-F	08131X4T23-F	TOL. IN INCH	UNIT : INCH [mm]	REV. : A
DRAWN BY	DATE		FILE NAME	.X	SCALE : N/A	SIZE : A4
MEI	06-25-05		08131X4T23-FA.DWG	.XX	±0.005	PAGE : 6



DC002(2)082305 This document is electronically generated. This is a controlled copy if used internally