

THE INFORMATION CONTAINED HEREIN IS CONSIDERED "PROPRIETARY" TO BEL FUSE INC. AND SHALL NOT BE COPIED, REPRODUCED OR DISCLOSED WITHOUT THE WRITTEN APPROVAL OF BEL FUSE INC.

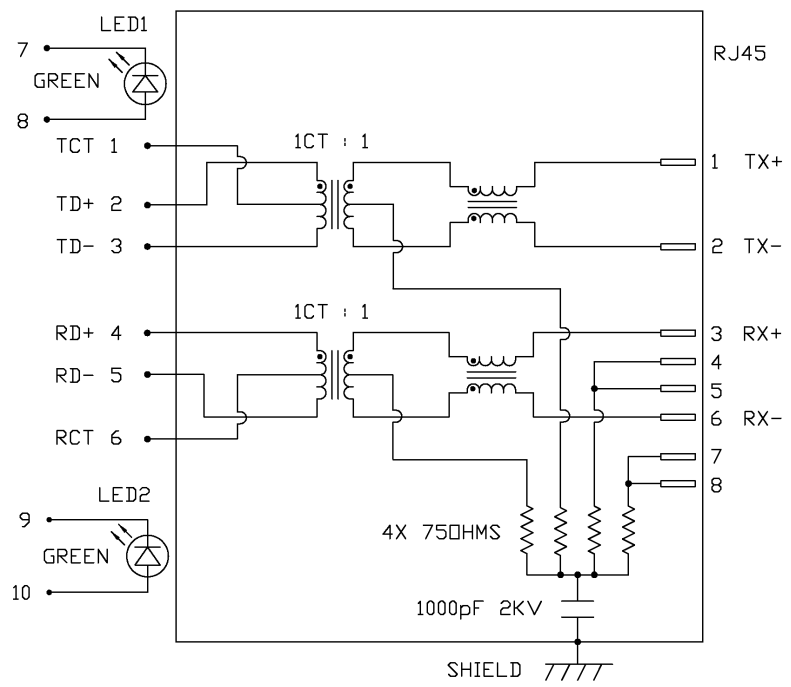


| LED1 POLARITY | | | LED2 POLARITY | | |
|---------------|-------|-------|---------------|--------|-------|
| PIN 7 | PIN 8 | COLOR | PIN 9 | PIN 10 | COLOR |
| - | + | GREEN | - | + | GREEN |

ELECTRICAL CHARACTERISTICS @ 25°C

| | | | |
|----------------------------|-----------------------|-------|------------|
| URNS RATIO | | | |
| TX | 1CT : 1 | | |
| RX | 1CT : 1 | | |
| QCL @ 100kHz/100mVRMS | | | |
| 8mA DC BIAS | 350µH MIN. | | |
| INS. LOSS | | | |
| 1MHz TO 100MHz | -1.0 dB MAX | | |
| RET. LOSS (MIN) | | | |
| 1MHz-30MHz | -18 dB | | |
| 30MHz-60MHz | -18+20LOG(F/30MHz) dB | | |
| 60MHz-80MHz | -12 dB | | |
| CROSS TALK (TX - RX) | | | |
| 500kHz-1MHz | -70 dB MIN | | |
| 10 MHz | -50 dB MIN | | |
| 30 MHz | -45 dB MIN | | |
| 50 MHz | -40 dB MIN | | |
| 100 MHz | -35 dB MIN | | |
| CM TO CM REJ | | | |
| 100kHz-1MHz | -70 dB MIN | | |
| 10 MHz | -47 dB MIN | | |
| 30 MHz | -42 dB MIN | | |
| 60 MHz | -37 dB MIN | | |
| 100 MHz | -30 dB MIN | | |
| CM TO DM REJ | | | |
| 100kHz-1MHz | -70 dB MIN | | |
| 10 MHz | -60 dB MIN | | |
| 30 MHz | -50 dB MIN | | |
| 60 MHz | -45 dB MIN | | |
| 100 MHz | -40 dB MIN | | |
| HIPDT (Isolation Voltage): | 1500 Vrms or 2250VDC | | |
| LED 1 & LED 2 | | | |
| VF (FORWARD VOLTAGE) | IF=20mA | GREEN | 2.2V TYP. |
| λD (DOMINANT WAVELENGTH) | IF=20mA | GREEN | 565nm TYP. |

SCHEMATIC

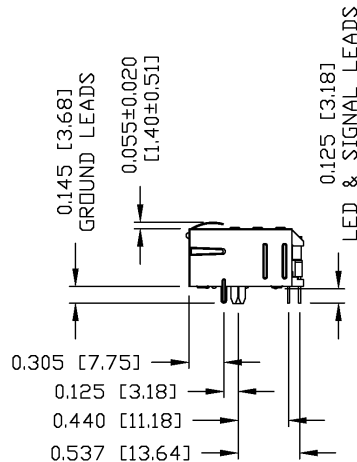
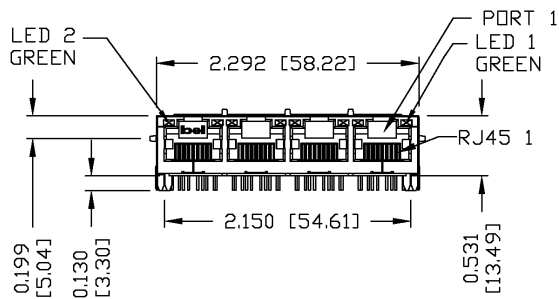
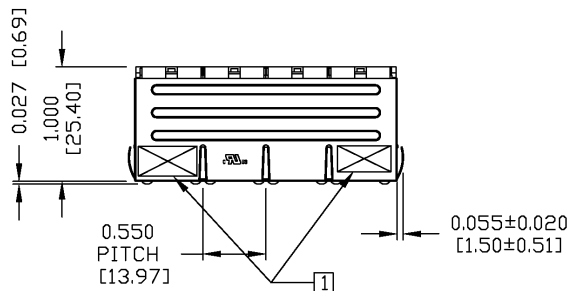


| | | | | | |
|----------------------|-------------|---------------------------------|-------------------------------|-----------------------------------|-------------------------------------|
| ORIGINATED BY | DATE | TITLE | PART NO. / DRAWING NO. | STANDARD DIM. TOL. IN INCH | [] METRIC DIM. AS REFERENCE |
| CHUNG | 06-16-06 | MagJack® | 08B01G4T36-F | .X | UNIT : INCH [mm] REV. : A |
| DRAWN BY | DATE | (4 Cores, MDIX, CM Termination) | FILE NAME | .XX | SCALE : N/A SIZE : A4 |
| DE | 06-16-06 | 08B0-1G4T-36-F | 08B01G4T36-FA.DWG | .XXX | PAGE : 2 |

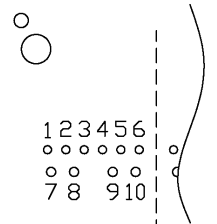


This document is electronically generated. This is a controlled copy if used internally

THE INFORMATION CONTAINED HEREIN IS CONSIDERED "PROPRIETARY" TO BEL FUSE INC. AND SHALL NOT BE COPIED, REPRODUCED OR DISCLOSED WITHOUT THE WRITTEN APPROVAL OF BEL FUSE INC.



PIN ASSIGNMENT - EACH PORT
COMPONENT SIDE VIEW



SCALE 2:1

NOTES:

- PLASTIC HOUSING: THERMOPLASTIC PBT
FLAMMABILITY RATING UL 94V-0
- CONTACTS PLATING: 15 MICRO-INCH HARD GOLD PLATING
- PINS: TIN-COATED COPPER WIRE, DIA 0.018 INCH.
- METAL SHIELD: NICKEL PLATED ON COPPER ALLOY.
(ALL GROUND LEADS ARE SOLDER DIPPED)

☐ MARK PART WITH MFG LOGO, MFG NAME, PART NUMBER, AND DATE CODE.

UL US UL RECOGNIZED - FILE #E196366 AND E169987.
RoHS COMPLIANT, PER EU DIRECTIVE 2002/95/EC
JACK CAVITY CONFORMS TO FCC RULES AND REGULATIONS.

| | | | | | |
|---------------------------|------------------|--|--|-------------------------------|--|
| ORIGINATED BY QIN/BILL | DATE 06-16-06 | TITLE MagJack® (4 Cores, MDIX, CM Termination) | PART NO. / DRAWING NO. 08B01G4T36-F | STANDARD DIM. TOL. IN INCH | [] METRIC DIM. AS REFERENCE |
| DRAWN BY TING | DATE 06-16-06 | FILE NAME 08B01G4T36-FA.DWG | | .X .XX .XXX ±0.010 | UNIT : INCH [mm] SCALE : N/A REV. : A SIZE : A4 PAGE : 3 |

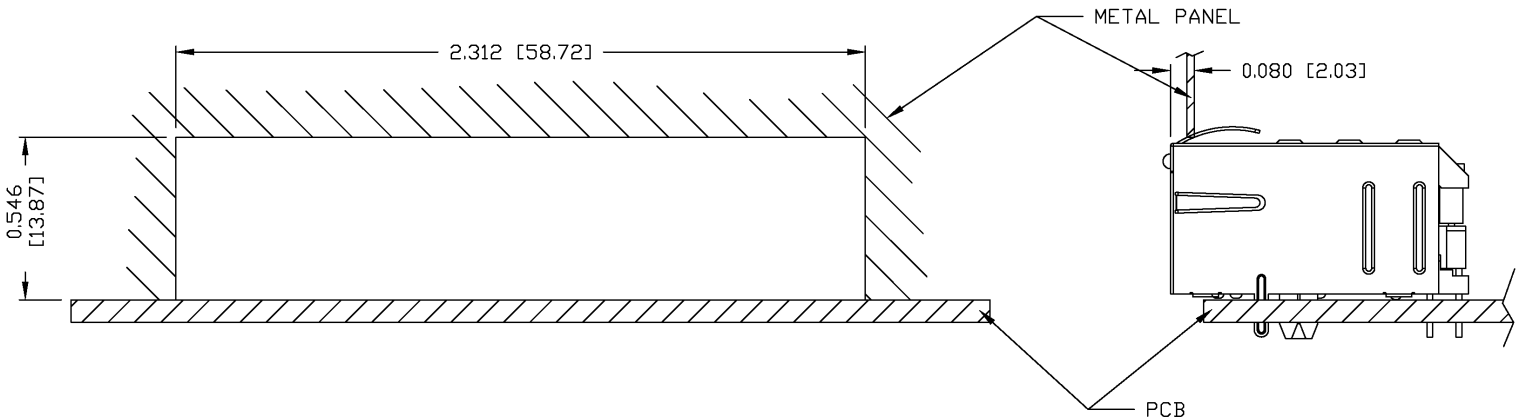


DC002(2)032305 This document is electronically generated. This is a controlled copy if used internally

THE INFORMATION CONTAINED HEREIN IS CONSIDERED "PROPRIETARY" TO BEL FUSE INC. AND SHALL NOT BE COPIED, REPRODUCED OR DISCLOSED WITHOUT THE WRITTEN APPROVAL OF BEL FUSE INC.



SUGGESTED PANEL OPENING



NOTES:

THE DISTANCE OF PANEL INSIDE SURFACE RELATIVE TO FRONT SURFACE OF PART IS ONLY A SUGGESTION. IN CASE THIS DISTANCE IS DIFFERENT, THE REQUIRED PANEL OPENING DIMENSIONS CHANGE ACCORDINGLY.

PACKING INFORMATION

PACKING TRAY : 0200-0148-17

PACKING QUANTITY : 30 PCS FINISHED GOODS PER TRAY.

10 TRAYS (300 PCS FINISHED GOODS) PER CARTON BOX.

NOTE : CARDBOARDS ARE PLACED BETWEEN LAYERS OF PACKING TRAY INSIDE CARTON BOX.

(INCLUDE THE UPPERMOST AND LOWERMOST TRAY)

| | | | | | | |
|----------------------------------|-------------------------|---|---|---|-------------------------------------|------------------|
| ORIGINATED BY QIN/BILL | DATE 06-16-06 | TITLE MagJack® (4 Cores, MDIX, CM Termination) | PART NO. / DRAWING NO. 08B01G4T36-F | STANDARD DIM. TOL. IN INCH .X .XX .XXX ±0.004 | [] METRIC DIM. AS REFERENCE | |
| DRAWN BY TING | DATE 06-16-06 | | FILE NAME 08B01G4T36-FA.DWG | | UNIT : INCH [mm] | REV. : A |
| | | | | | SCALE : N/A | SIZE : A4 |
| | | | | | | PAGE : 5 |



This document is electronically generated. This is a controlled copy if used internally

DC002(2)032305