

THE INFORMATION CONTAINED HEREIN IS CONSIDERED "PROPRIETARY" TO BEL FUSE INC. AND SHALL NOT BE COPIED, REPRODUCED OR DISCLOSED WITHOUT THE WRITTEN APPROVAL OF BEL FUSE INC.



LED2 POLARITY			LED1 POLARITY		
PIN 11	PIN 12	COLOR	PIN 13	PIN 14	COLOR
+	-	GREEN	+	-	GREEN

**ELECTRICAL CHARACTERISTICS @ 25°C**

**URNS RATIO**

TP1	1CT : 1CT ±2%
TP2	1CT : 1CT ±2%
TP3	1CT : 1CT ±2%
TP4	1CT : 1CT ±2%

**DCL @ 100kHz/100mVRMS**

8mA DC BIAS (0°C - 70°C) 350mH MIN.

**INS. LOSS**

100kHz TO 125MHz -1.2 dB MAX

**RET. LOSS (MIN) @ 100ΩHMS ±15%**

0.5MHz-40MHz -18 dB  
40MHz-100MHz -12+20LOG(f/80MHz) dB

**CM TO CM REJ**

100kHz - 100MHz -30 dB MIN

**CM TO DM REJ**

100kHz - 100MHz -35 dB MIN

**CROSS TALK**

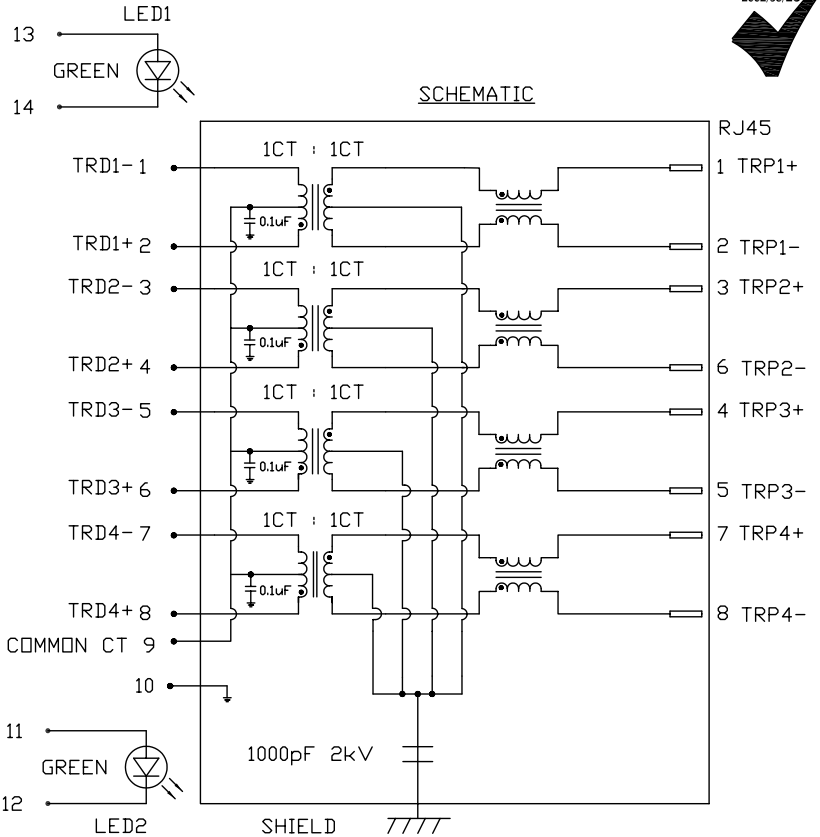
1MHz-100MHz -35 dB MIN

**HIPDT (Isolation Voltage): 1500 Vrms or 2250 VDC**

100% OF PRODUCT TESTED IN PRODUCTION

**LED 1 & 2**

V<sub>F</sub> (FORWARD VOLTAGE) IF=20mA GREEN 2.2V TYP.  
λ<sub>D</sub> (DOMINANT WAVELENGTH) IF=20mA GREEN 565nm TYP.

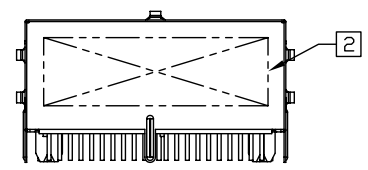
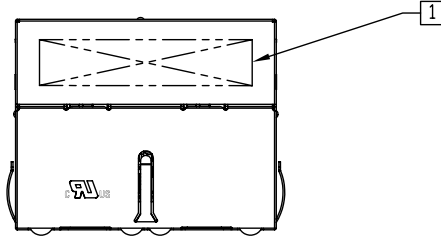


ORIGINATED BY	DATE	TITLE	PART NO. / DRAWING NO.	STANDARD DIM. TOL. IN INCH	[ ] METRIC DIM. AS REFERENCE
CHUNG	10-10-06	1X2 gigabit MagJack® (WITH LED)	0875-1G2T-E3	.X	UNIT : INCH [mm] REV. : A
DRAWN BY	DATE		FILE NAME	.XX	SCALE : N/A SIZE : A4
DE	10-10-06		08751G2TE3A.DWG	.XXX	PAGE : 2

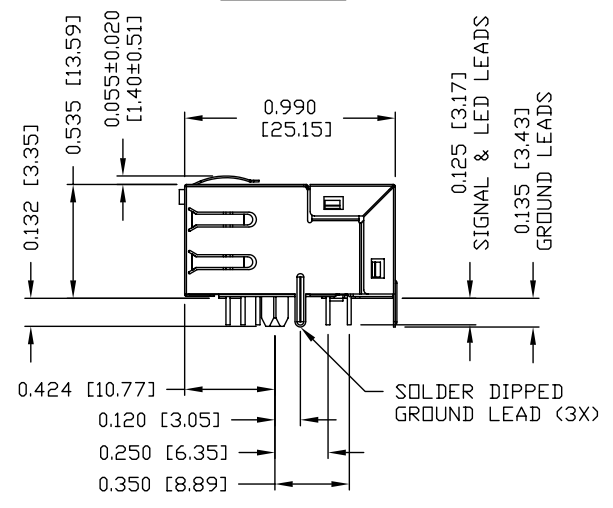
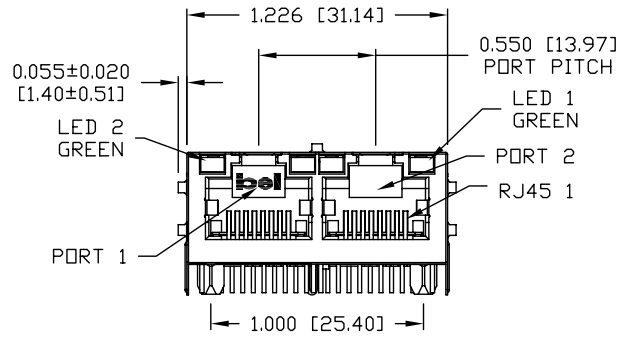


DC002(2)032305 This document is electronically generated. This is a controlled copy if used internally

THE INFORMATION CONTAINED HEREIN IS CONSIDERED "PROPRIETARY" TO BEL FUSE INC. AND SHALL NOT BE COPIED, REPRODUCED OR DISCLOSED WITHOUT THE WRITTEN APPROVAL OF BEL FUSE INC.



BACK VIEW



NOTES:

- PLASTIC HOUSING: THERMOPLASTIC PBT  
FLAMMABILITY RATING UL 94V-0
- CONTACTS PLATING: 30 MICRO-INCH HARD GOLD PLATING
- PINS: TIN-COATED COPPER WIRE, DIA 0.018 INCH.
- METAL SHIELD: NICKEL PLATED ON COPPER ALLOY.  
(ALL GROUND LEADS ARE SOLDER DIPPED)

- 1 MARK PART WITH MFG LOGO AND MFG NAME.
- 2 MARK PART WITH PART NUMBER AND DATE CODE.
- JACK CAVITY CONFORMS TO FCC RULES AND REGULATIONS.
- RoHS COMPLIANCE, PER EU DIRECTIVE 2002/95/EC.
- UL RECOGNIZED - FILE #E196366 AND E169987.

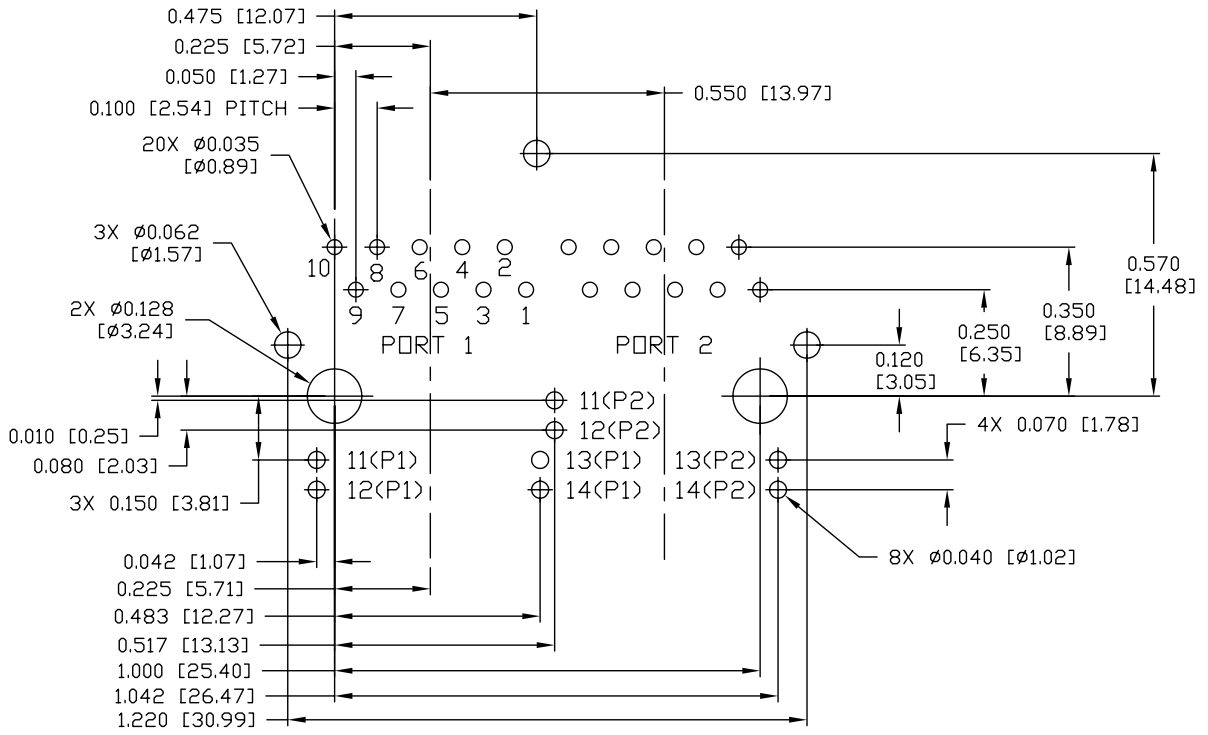
ORIGINATED BY	DATE	TITLE	PART NO. / DRAWING NO.	STANDARD DIM. TOL. IN INCH	[ ] METRIC DIM. AS REFERENCE
BILL	10-10-06	1X2 gigabit MagJack® (WITH LED)	0875-1G2T-E3	.X	UNIT : INCH [mm] REV. : A
DRAWN BY	DATE		FILE NAME	.XX	SCALE : N/A SIZE : A4
QIN	10-10-06		08751G2TE3A.DWG	.XXX ±0.010	PAGE : 3



DC002(2)032305

This document is electronically generated. This is a controlled copy if used internally

THE INFORMATION CONTAINED HEREIN IS CONSIDERED "PROPRIETARY" TO BEL FUSE INC. AND SHALL NOT BE COPIED, REPRODUCED OR DISCLOSED WITHOUT THE WRITTEN APPROVAL OF BEL FUSE INC.



RECOMMENDED PCB FOOTPRINT  
COMPONENT SIDE VIEW

<b>ORIGINATED BY</b> BILL	<b>DATE</b> 10-10-06	<b>TITLE</b> 1X2 gigabit MagJack® (WITH LED)	<b>PART NO. / DRAWING NO.</b> 0875-1G2T-E3	<b>STANDARD DIM. TOL. IN INCH</b>	<input type="checkbox"/> METRIC DIM. AS REFERENCE
<b>DRAWN BY</b> QIN	<b>DATE</b> 10-10-06		<b>FILE NAME</b> 08751G2TE3A.DWG	.X .XX .XXX ±0.004	UNIT : INCH [mm] SCALE : N/A 
					REV. : A SIZE : A4 PAGE : 4

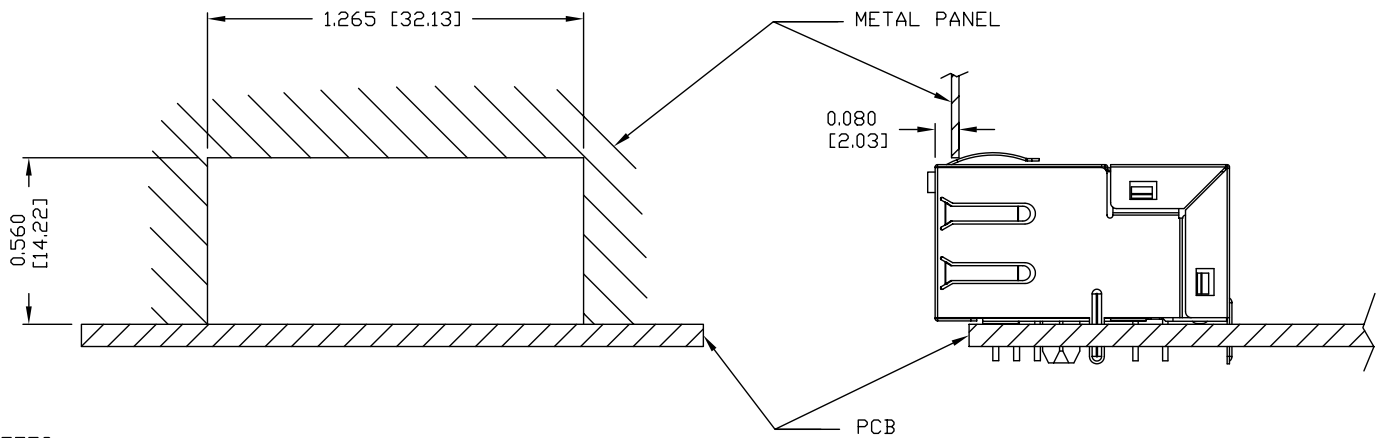


DC002(2)032305 This document is electronically generated. This is a controlled copy if used internally

THE INFORMATION CONTAINED HEREIN IS CONSIDERED "PROPRIETARY" TO BEL FUSE INC. AND SHALL NOT BE COPIED, REPRODUCED OR DISCLOSED WITHOUT THE WRITTEN APPROVAL OF BEL FUSE INC.



SUGGESTED PANEL OPENING



NOTES:

THE DISTANCE OF PANEL INSIDE SURFACE RELATIVE TO FRONT SURFACE OF PART IS ONLY A SUGGESTION. IN CASE THIS DISTANCE IS DIFFERENT, THE REQUIRED PANEL OPENING DIMENSIONS CHANGE ACCORDINGLY.

PACKING INFORMATION

PACKING TRAY : 0200-9999-G4 (TOP)  
0200-9999-G5 (BOTTOM)

PACKING QUANTITY : 49 PCS FINISHED GOODS PER TRAY  
8 TRAYS (392 PCS FINISHED GOODS) PER CARTON BOX

NOTE : CARDBOARDS ARE PLACED BETWEEN LAYERS OF PACKING TRAY INSIDE CARTON BOX  
(INCLUDE THE UPPERMOST AND LOWERMOST TRAY)

ORIGINATED BY	DATE	TITLE	PART NO. / DRAWING NO.	STANDARD DIM. TOL. IN INCH	[ ] METRIC DIM. AS REFERENCE
BILL	10-10-06	1X2 gigabit MagJack® (WITH LED)	0875-1G2T-E3	.X	UNIT : INCH [mm] REV. : A
DRAWN BY	DATE		FILE NAME	.XX	SCALE : N/A SIZE : A4
QIN	10-10-06		08751G2TE3A.DWG	.XXX ±0.004	PAGE : 5



DC002(2)032305

This document is electronically generated. This is a controlled copy if used internally