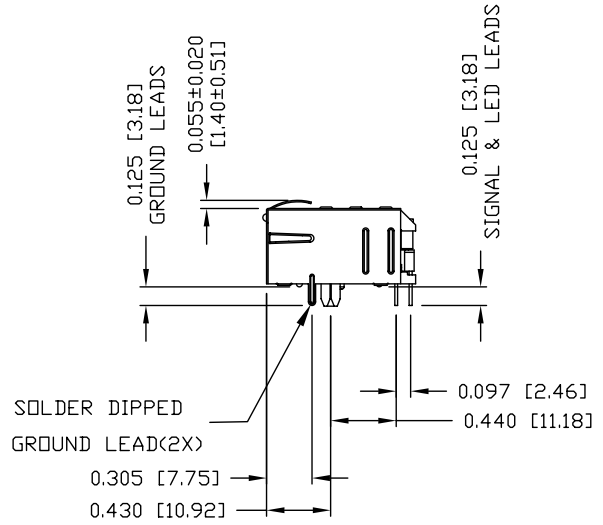
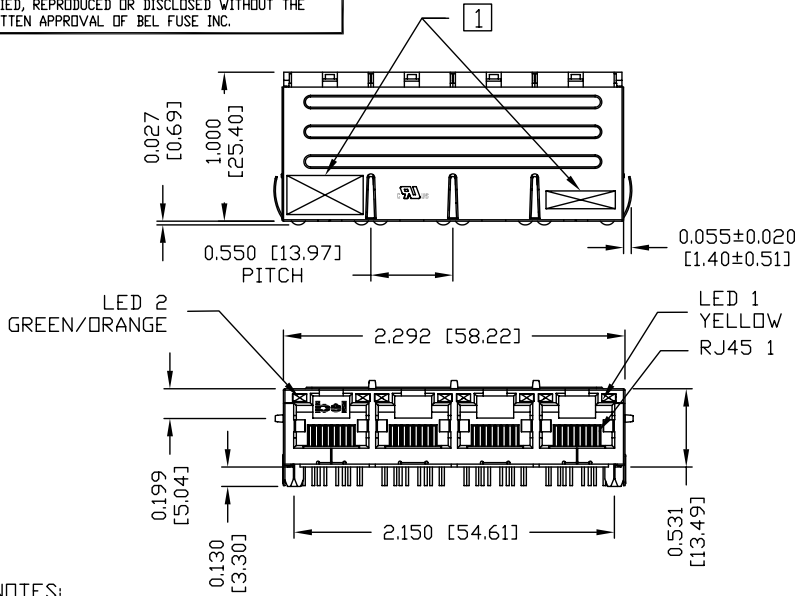


THE INFORMATION CONTAINED HEREIN IS CONSIDERED "PROPRIETARY" TO BEL FUSE INC. AND SHALL NOT BE COPIED, REPRODUCED OR DISCLOSED WITHOUT THE WRITTEN APPROVAL OF BEL FUSE INC.



NOTES:

- PLASTIC HOUSING: THERMOPLASTIC PBT
- FLAMMABILITY RATING UL 94V-0
- CONTACTS PLATING: 15 MICRO-INCH HARD GOLD PLATING
- PINS: TIN-COATED COPPER WIRE, DIA 0.018 INCH.
- METAL SHIELD: NICKEL PLATED ON COPPER ALLOY.
- (ALL GROUND LEADS ARE SOLDER DIPPED)

1 MARK PART WITH MFG LOGO, MFG NAME, PART NUMBER, AND DATE CODE.

UL RECOGNIZED - FILE #E196366 AND E169987.

RoHS COMPLIANT, PER EU DIRECTIVE 2002/95/EC

ORIGINATED BY	DATE	TITLE	PART NO. / DRAWING NO.	STANDARD DIM. TOL. IN INCH	[] METRIC DIM. AS REFERENCE
QIN	03-04-06	1X4 MagJack®	08B01X4T36-F	.X	UNIT : INCH [mm]
DRAWN BY	DATE	(4 Cores, MDIX, CM Termination)	FILE NAME	.XX	SCALE : N/A
TING	03-04-06	08B0-1X4T-36-F	08B01X4T36-FA.DWG	.XXX	SIZE : A4
				±0.010	PAGE : 3

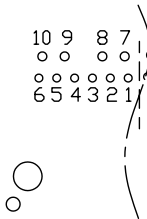


This document is electronically generated. This is a controlled copy if used internally

THE INFORMATION CONTAINED HEREIN IS CONSIDERED "PROPRIETARY" TO BEL FUSE INC. AND SHALL NOT BE COPIED, REPRODUCED OR DISCLOSED WITHOUT THE WRITTEN APPROVAL OF BEL FUSE INC.

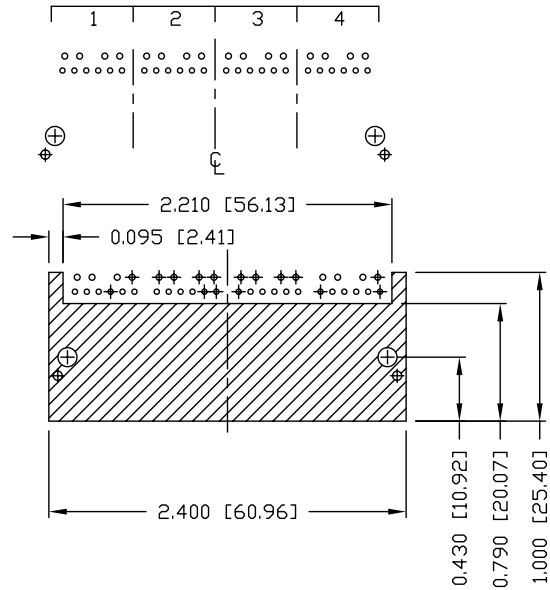


PIN ASSIGNMENT - EACH PORT
COMPONENT SIDE VIEW



6	RCT
5	RD -
4	RD +
3	TD -
2	TD +
1	TCT

RECOMMENDED PCB FOOTPRINT
COMPONENT SIDE VIEW



THE SHADED AREA ON THE CUSTOMER BOARD ARE RECOMMENDED TO BE CLEAR OFF ANY VIA HOLE OR COMPONENT PAD.

ORIGINATED BY	DATE	TITLE	PART NO. / DRAWING NO.	STANDARD DIM. TOL. IN INCH	[] METRIC DIM. AS REFERENCE	 COMPONENTS ARE MANUFACTURED IN THE USA
QIN	03-04-06	1X4 MagJack®	08B01X4T36-F	.X	UNIT : INCH [mm]	
DRAWN BY	DATE	(4 Cores, MDIX, CM Termination)	FILE NAME	.XX	SCALE : N/A	
TING	03-04-06	08B0-1X4T-36-F	08B01X4T36-FA.DWG	.XXX ±0.004	SIZE : A4	
					 PAGE : 4	

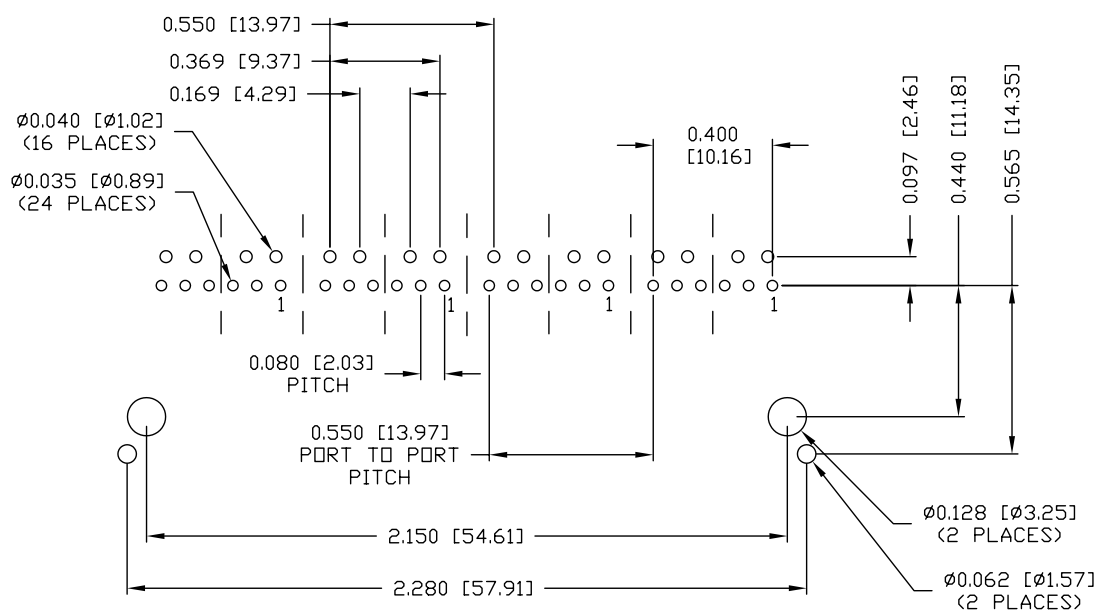
DC002(2)032305

This document is electronically generated. This is a controlled copy if used internally

THE INFORMATION CONTAINED HEREIN IS CONSIDERED 'PROPRIETARY' TO BEL FUSE, INC. AND SHALL NOT BE COPIED, REPRODUCED OR DISCLOSED WITHOUT THE WRITTEN APPROVAL OF BEL FUSE, INC.



RECOMMENDED PCB FOOTPRINT
COMPONENT SIDE VIEW



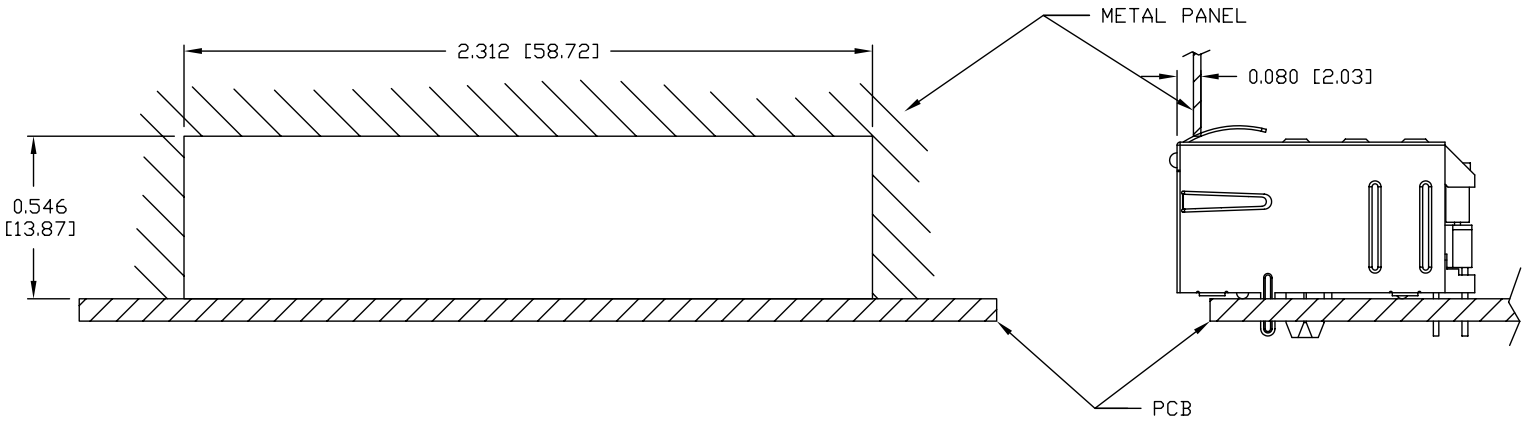
ORIGINATED BY QIN	DATE 03-04-06	TITLE 1X4 MagJack® (4 Cores, MDIX, CM Termination)	PART NO. / DRAWING NO. 08B01X4T36-F	STANDARD DIM. TOL. IN INCH	[] METRIC DIM. AS REFERENCE	 COMPONENTS OF A CONNECTED PLANT	
DRAWN BY TING	DATE 03-04-06	FILE NAME 08B01X4T36-FA.DWG		.X	UNIT : INCH [mm]		REV. : A
				.XX .XXX ±0.004	SCALE : N/A		SIZE : A4 PAGE : 5

DC002(2)032305 This document is electronically generated. This is a controlled copy if used internally

THE INFORMATION CONTAINED HEREIN IS CONSIDERED "PROPRIETARY" TO BEL FUSE INC. AND SHALL NOT BE COPIED, REPRODUCED OR DISCLOSED WITHOUT THE WRITTEN APPROVAL OF BEL FUSE INC.



SUGGESTED PANEL OPENING



NOTES:

THE DISTANCE OF PANEL INSIDE SURFACE RELATIVE TO FRONT SURFACE OF PART IS ONLY A SUGGESTION. IN CASE THIS DISTANCE IS DIFFERENT, THE REQUIRED PANEL OPENING DIMENSIONS CHANGE ACCORDINGLY.

PACKING INFORMATION

PACKING TRAY : 0200-0148-17

PACKING QUANTITY : 30 PCS FINISHED GOODS PER TRAY.

10 TRAYS (300 PCS FINISHED GOODS) PER CARTON BOX.

NOTE : CARDBOARDS ARE PLACED BETWEEN LAYERS OF PACKING TRAY INSIDE CARTON BOX.

(INCLUDE THE UPPERMOST AND LOWERMOST TRAY)

ORIGINATED BY QIN	DATE 03-04-06	TITLE 1X4 MagJack® (4 Cores, MDIX, CM Termination)	PART NO. / DRAWING NO. 08B01X4T36-F	STANDARD DIM. TOL. IN INCH	<input type="checkbox"/> METRIC DIM. AS REFERENCE	bel COMPONENTS CONSTRUCTED PLANET
DRAWN BY TING	DATE 03-04-06		FILE NAME 08B01X4T36-FA.DWG	.X .XX .XXX	UNIT : INCH [mm] SCALE : N/A	
				±0.004		

DC002(2)032305

This document is electronically generated. This is a controlled copy if used internally