

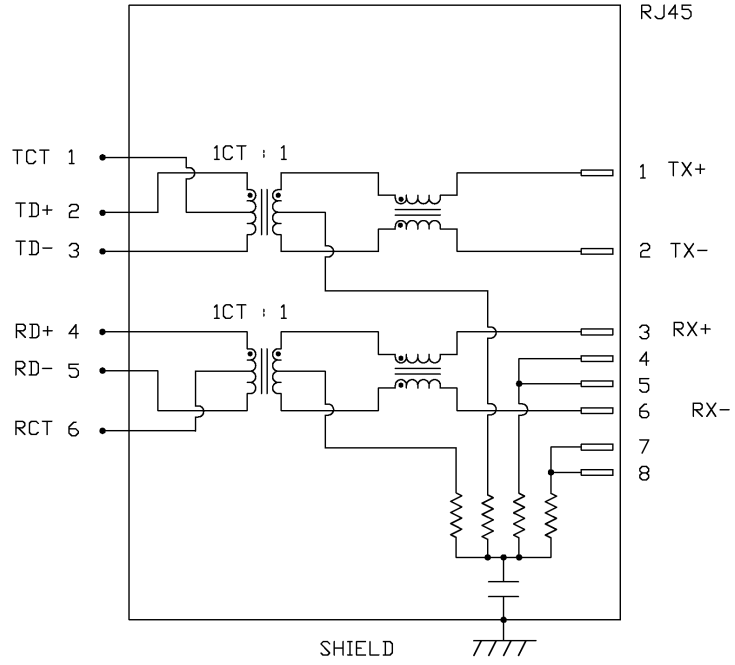
THE INFORMATION CONTAINED HEREIN IS CONSIDERED 'PROPRIETARY' TO BEL FUSE INC. AND SHALL NOT BE COPIED, REPRODUCED OR DISCLOSED WITHOUT THE WRITTEN APPROVAL OF BEL FUSE INC.



ELECTRICAL CHARACTERISTICS @ 25°C

<p> URNS RATIO TX 1CT : 1 RX 1CT : 1 OCL @ 100kHz/100mVRMS 8mA DC BIAS 350µH MIN. INS. LOSS 1MHz TO 100MHz -1.0 dB MAX RET. LOSS (MIN) 1MHz-30MHz -18 dB 30MHz-60MHz $-18+20\text{LOG}(F/30\text{MHz})$ dB 60MHz-80MHz -12 dB CROSS TALK (TX - RX) 500kHz-1MHz -70 dB MIN 10 MHz -50 dB MIN 30 MHz -45 dB MIN 50 MHz -40 dB MIN 100 MHz -35 dB MIN CM TO CM REJ 100kHz-1MHz -70 dB MIN 10 MHz -47 dB MIN 30 MHz -42 dB MIN 60 MHz -37 dB MIN 100 MHz -30 dB MIN CM TO DM REJ 100kHz-1MHz -70 dB MIN 10 MHz -60 dB MIN 30 MHz -50 dB MIN 60 MHz -45 dB MIN 100 MHz -40 dB MIN HIPDT (Isolation Voltage): 1500 Vrms </p>
--

SCHEMATIC

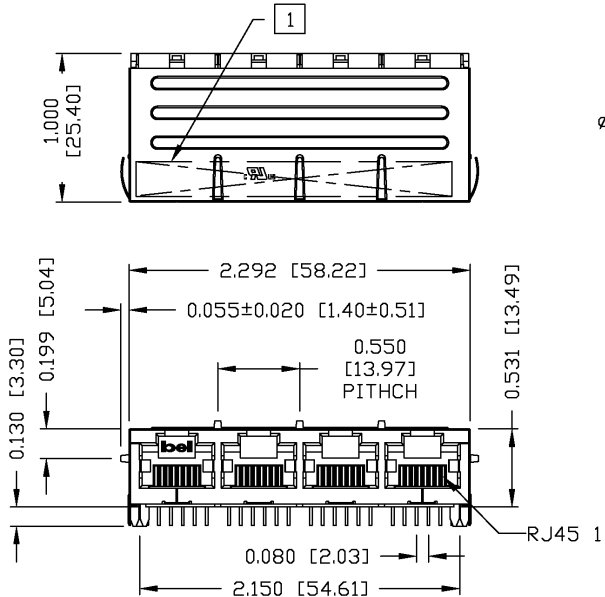


ORIGINATED BY CHUNG	DATE 03-15-06	TITLE 1X4 MagJack® FOR MDIX 08B1-1X4T-06-F	PART NO. / DRAWING NO. 08B11X4T06-F	STANDARD DIM. TOL. IN INCH .X .XX .XXX	<input type="checkbox"/> METRIC DIM. AS REFERENCE UNIT : INCH [mm] SCALE : N/A	REV. : A SIZE : A4 PAGE : 2	 COMPONENTS FOR A CONNECTED PLANET
DRAWN BY DE	DATE 03-15-06		FILE NAME 08B11X4T06-FA.DWG	<input checked="" type="checkbox"/> METRIC DIM. AS REFERENCE			

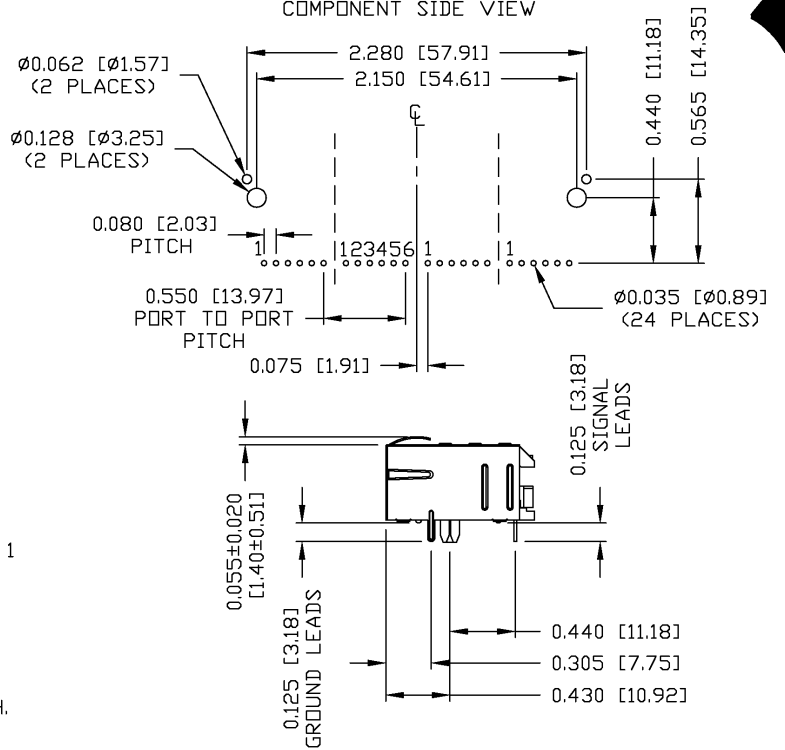
DC002(2)032305

This document is electronically generated. This is a controlled copy if used internally

THE INFORMATION CONTAINED HEREIN IS CONSIDERED "PROPRIETARY" TO BEL FUSE INC. AND SHALL NOT BE COPIED, REPRODUCED OR DISCLOSED WITHOUT THE WRITTEN APPROVAL OF BEL FUSE INC.



RECOMMENDED PCB FOOTPRINT
COMPONENT SIDE VIEW



- NOTES:**
- PLASTIC HOUSING: THERMOPLASTIC PBT
FLAMMABILITY RATING UL 94V-0
 - CONTACTS PLATING: 15 MICRO-INCH HARD GOLD PLATING
 - PINS: TIN-COATED COPPER WIRE, DIA 0.018 INCH.
 - METAL SHIELD: NICKEL PLATED ON COPPER ALLOY.
(ALL GROUND LEADS ARE SOLDER DIPPED)
 - ☐ MARK PART WITH MFG LOGO, MFG NAME, PART NUMBER, AND DATE CODE.
 - UL US UL RECOGNIZED - FILE #E196366 AND E169987.
 - 2. RoHS COMPLIANCE, PER EU DIRECTIVE 2002/95/EC.

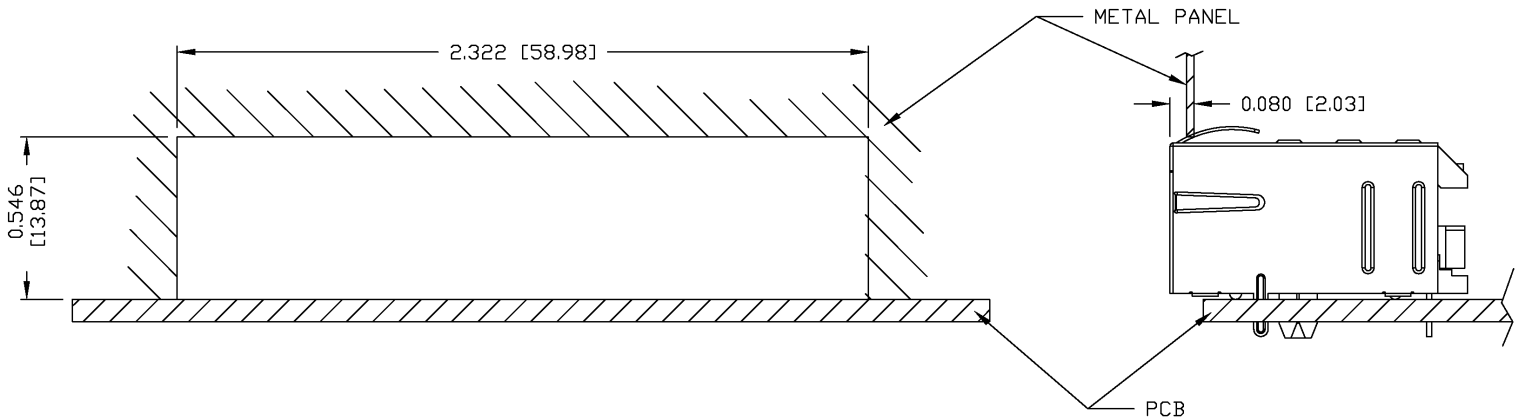
ORIGINATED BY QIN	DATE 03-15-06	TITLE 1X4 MagJack® FOR MDIX	PART NO. / DRAWING NO. 08B11X4T06-F	STANDARD DIM. TOL. IN INCH .X .XX .XXX ±0.010	[] METRIC DIM. AS REFERENCE UNIT : INCH [mm] SCALE : N/A	REV. : A SIZE : A4 PAGE : 3
DRAWN BY TING	DATE 03-15-06		FILE NAME 08B11X4T06-FA.DWG			



THE INFORMATION CONTAINED HEREIN IS CONSIDERED "PROPRIETARY" TO BEL FUSE INC. AND SHALL NOT BE COPIED, REPRODUCED OR DISCLOSED WITHOUT THE WRITTEN APPROVAL OF BEL FUSE INC.



SUGGESTED PANEL OPENING



NOTES:

THE DISTANCE OF PANEL INSIDE SURFACE RELATIVE TO FRONT SURFACE OF PART IS ONLY A SUGGESTION. IN CASE THIS DISTANCE IS DIFFERENT, THE REQUIRED PANEL OPENING DIMENSIONS CHANGE ACCORDINGLY.

PACKING INFORMATION

PACKING TRAY : 0200-0148-17

PACKING QUANTITY : 30 PCS FINISHED GOODS PER TRAY.

10 TRAYS (300 PCS FINISHED GOODS) PER CARTON BOX.

NOTE : CARDBOARDS ARE PLACED BETWEEN LAYERS OF PACKING TRAY INSIDE CARTON BOX.

(INCLUDE THE UPPERMOST AND LOWERMOST TRAY)

ORIGINATED BY QIN	DATE 03-15-06	TITLE 1X4 MagJack® FOR MDIX 08B1-1X4T-06-F	PART NO. / DRAWING NO. 08B1X4T06-F	STANDARD DIM. TOL. IN INCH	[] METRIC DIM. AS REFERENCE	bel COMPONENTS <small>See A</small> CONNECTED PLANET
DRAWN BY TING	DATE 03-15-06		FILE NAME 08B1X4T06-FA.DWG	.X .XX .XXX	UNIT : INCH [mm] SCALE : N/A ±0.004	

DC002(2)032305

This document is electronically generated. This is a controlled copy if used internally