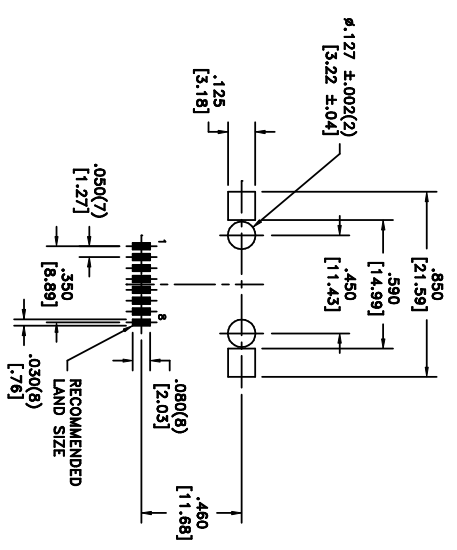
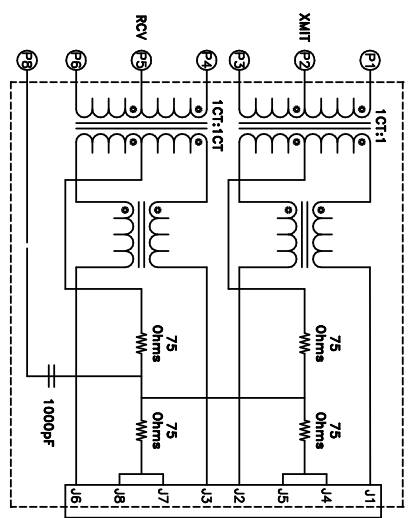
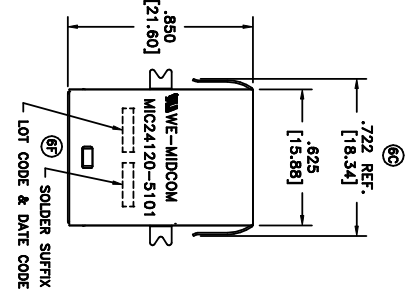
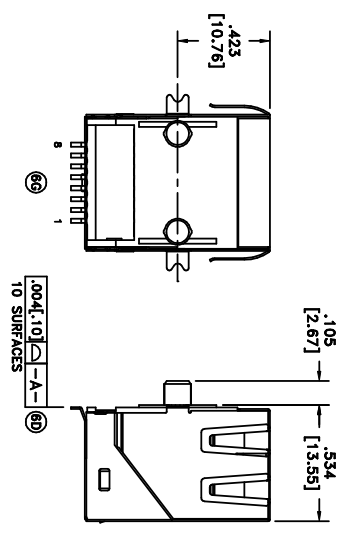
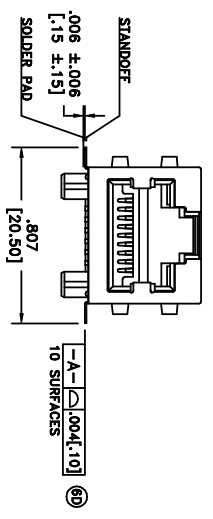


SOLDER SUFFIX	CUSTOMER TERMINAL	ROHS	LEAD(Pb)-FREE
LF3	Sn100K	Yes	Yes



⑥ P.C. PATTERN, COMPONENT SIDE

ELECTRICAL SPECIFICATIONS @ 25°C unless otherwise noted:

INDUCTANCE: 350uH min., 100kHz, 100mV, 8mADC, J1-J2, J3-J6, Ip.

DIELECTRIC RATING: 1500Vrms for 1 minute between P1-J1 (tie P1+P4).

TURNS RATIO/POLARITY: (P1-P3):(J1-J2) = 1:1, ±2%, (P4-P6):(J3-J6) = 1:1, ±2%.

INSERTION LOSS: -1.0dB max., 1MHz - 100MHz.

RETURN LOSS: -18dB min., 1M - 30MHz, -16dB min., 30M - 45MHz, -14dB min., 45M - 60MHz, -12dB min., 60M - 80MHz.

CROSSTALK: -35dB min., 1MHz - 100MHz.

COMMON MODE REJECTION: -35dB min., 1MHz - 100MHz.

OPERATING TEMPERATURE RANGE: 0°C to +70°C.

Midcom p/n MIC24120-5101R-LF3 is eISos p/n: 7498011002R.
 Midcom p/n MIC24120-5101W-LF3 is eISos p/n: 7498011002.

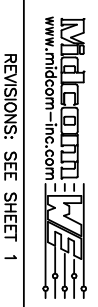
REV.	DATE
6F	7/08
6G	6/07

Packaging Specifications
 Method: Tape & Reel or Tray
 PKG-0563 or PKG-0547
 www.midcom-inc.com

Unless otherwise specified:
 Tolerances: Angles: ±1°
 Fractions: ±1/64
 Decimals: ±.010 [25]
 This drawing is dual dimensioned. Dimensions in brackets are in millimeters.

DRAWING TITLE
TRANSFORMER
 10/100Mbs

eISos p/n:



REVISIONS: SEE SHEET 1

PACKAGING TABLE		
X	PACKAGE	⑥
R	TAPE & REEL	
W	TRAY	

DRAWING NO.	UL60950-1	E205930
AGENCY NUMBER		

MIC24120-5101X-LF3
 SCALE: --- SHEET 2 OF 7

