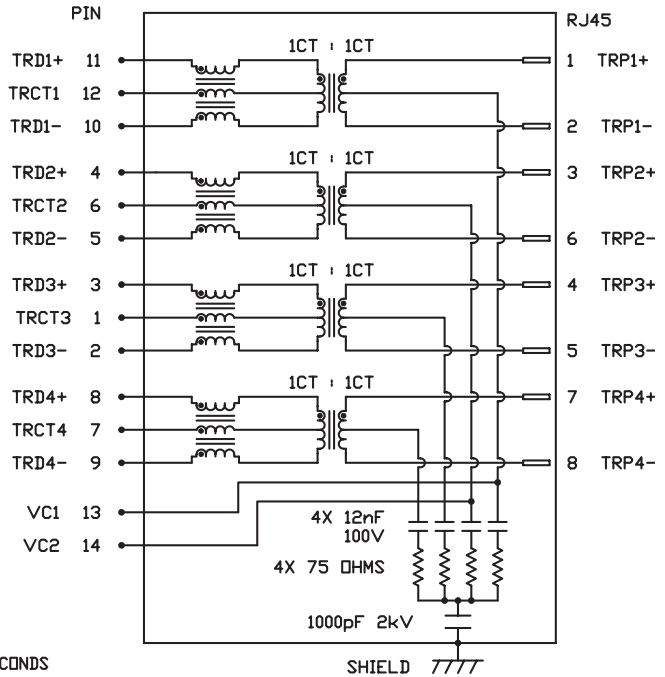


**INTEGRATED CONNECTOR MODULES**  
**0816-1X1T-80-F Gigabit Power over Ethernet Single Port MagJack®**

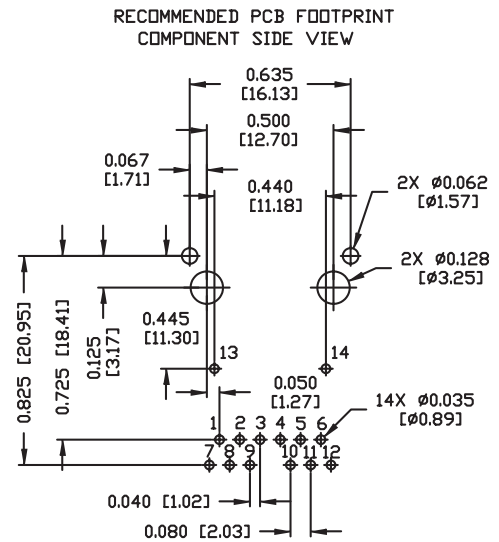
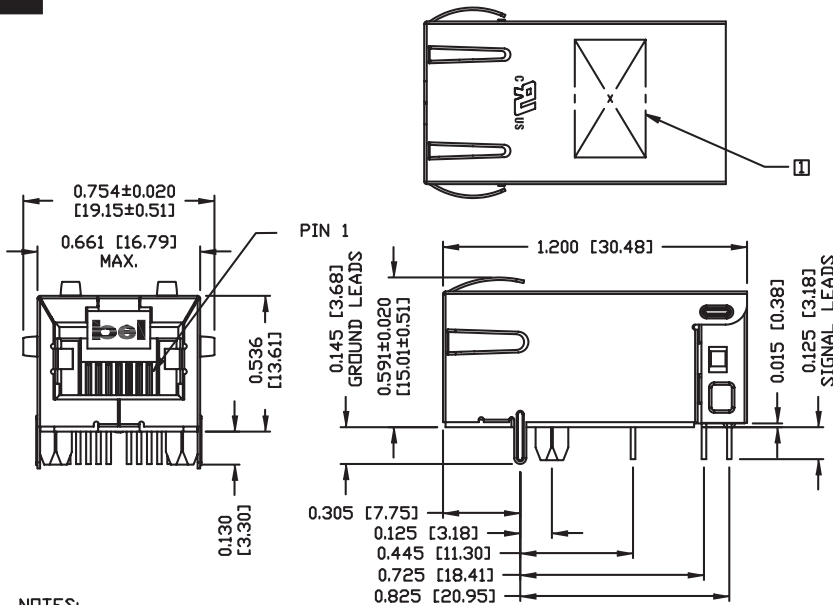


**ELECTRICAL CHARACTERISTICS @ 25°C**

<b>TURNS RATIO</b>	
TP1	1CT : 1CT ±2%
TP2	1CT : 1CT ±2%
TP3	1CT : 1CT ±2%
TP4	1CT : 1CT ±2%
<b>OCL @ 100kHz/100mVRMS</b>	
8mA DC BIAS	350µH MIN.
<b>INS. LOSS</b>	
0.1MHz TO 1MHz	-1.1 dB MAX
1MHz TO 65MHz	-0.5 dB MAX
65MHz TO 100MHz	-0.8 dB MAX
100MHz TO 125MHz	-1.2 dB MAX
<b>RET. LOSS (MIN)</b>	
0.5MHz-40MHz	-18 dB
40MHz-100MHz	-12+20LOG(f/80MHz) dB
<b>CM TO CM REJ</b>	
100kHz - 100MHz	-30 dB MIN
<b>CM TO DM REJ</b>	
100kHz - 100MHz	-35 dB MIN
<b>HIPOT (Isolation Voltage):</b>	
100% OF PRODUCT TESTED IN PRODUCTION	2250 Vrms
<b>BALANCED DC LINE CURRENT</b>	
	350 mA MAX. @ 57 VDC CONTINUOUS
	500 mA MAX. @ 57 VDC FOR 200 MILLISECONDS



**INTEGRATED CONNECTOR MODULES**  
**0816-1X1T-80-F Gigabit Power over Ethernet Single Port MagJack®**



**NOTES:**

- PLASTIC HOUSING: THERMOPLASTIC PA 4/6
- CONTACTS: FLAMMABILITY RATING UL 94V-0
- CONTACTS: 50 MICRO-INCH HARD GOLD PLATING
- OUTPUT PINS: TIN-COATED COPPER WIRE, DIA 0.016 INCH AND 0.018 INCH.
- METAL SHIELD: NICKEL OR TIN PLATED ON COPPER ALLOY. (NICKEL GROUND LEADS ARE SOLDER DIPPED)

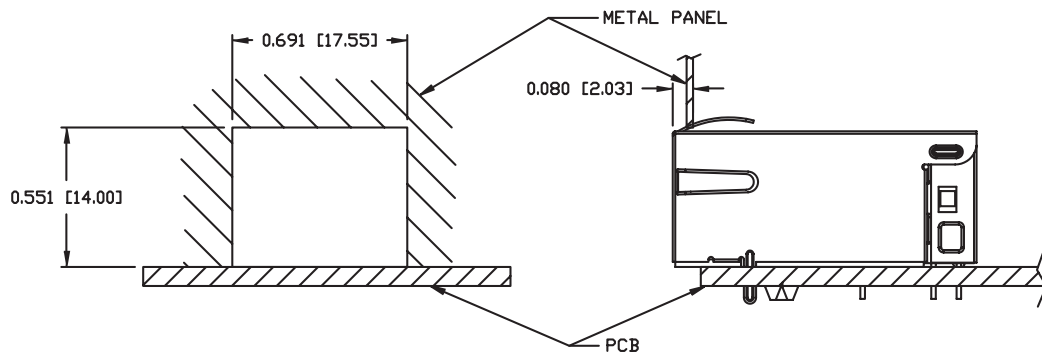
☐ MARK PART WITH MFG LOGO, MFG NAME, PART NUMBER, AND DATE CODE.

UL US UL RECOGNIZED - FILE #E196366 AND E169987.  
 RoHS COMPLIANCE, PER EU DIRECTIVE 2002/95/EC

**INTEGRATED CONNECTOR MODULES**  
**0816-1X1T-80-F Gigabit Power over Ethernet Single Port MagJack®**



SUGGESTED PANEL OPENING



NOTES:

THE DISTANCE OF PANEL INSIDE SURFACE RELATIVE TO FRONT SURFACE OF PART IS ONLY A SUGGESTION. IN CASE THIS DISTANCE IS DIFFERENT, THE REQUIRED PANEL OPENING DIMENSIONS CHANGE ACCORDINGLY.

PACKING INFORMATION

PACKING TRAY : 0200-9999-F1 (TOP)  
 0200-9999-F2 (BOTTOM)

PACKING QUANTITY : 40 PCS FINISHED GOODS PER TRAY  
 10 TRAYS (400 PCS FINISHED GOODS) PER CARTON BOX

NOTE : CARDBOARDS ARE PLACED BETWEEN LAYERS OF PACKING TRAY INSIDE CARTON BOX  
 (INCLUDE THE UPPERMOST AND LOWERMOST TRAY)