

JK0-0036NL

4


3

2


1

NOTICE: THE INFORMATION AND DESIGN CONTAINED HEREIN IS THE PROPERTY OF PULSE WHO RESERVES ALL RIGHTS THERETO.

1.

	WARNING: THIS COMPONENT IS RECOGNIZED BY ONE OR MORE SAFETY AGENCIES SUCH AS UL, VDE, CSA AND/OR TUV. ALL ENGINEERING CHANGES MUST HAVE PRIOR APPROVAL BY THE DESIGN CENTER QUALITY DEPARTMENT FOR SAFETY AGENCY COMPLIANCE.	ECN APPROVAL:
		QA APPROVAL:
		DATE:

2.

NOTICE:	THIS IS A RoHS COMPLIANT COMPONENT/PRODUCT. ALL ENGINEERING CHANGES MUST HAVE PRIOR APPROVAL BY THE DESIGN CENTER.
RoHS 	



TITLE				DATASHEET	
SIZE	CAGE CODE	DWG. NO.	JK0-0036NL		REV.
B	01961				11
SCALE	NONE	CADD FILE	M-JK0-0036NL-1	SHEET 1 OF 5	

4

3

2

1

120CF2004

D

D

C

C

B

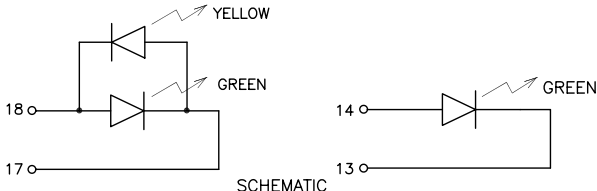
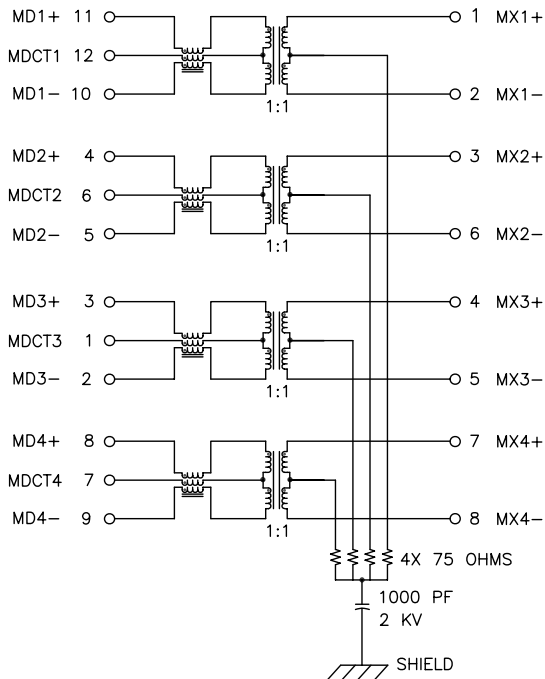
B

A

A

JK0-0036NL 4

NOTICE: THE INFORMATION AND DESIGN CONTAINED HEREIN IS THE PROPERTY OF PULSE WHO RESERVES ALL RIGHTS THERETO.



ELECTRICAL CHARACTERISTICS AT +25°C UNLESS OTHER SPECIFIED (FOR REFERENCE ONLY. USED FOR CUSTOMER INFORMATION.)

PARAMETER	SPECIFICATIONS	
	100 KHz	1-125 MHz
INSERTION LOSS	-1.2 dB MAX	-0.2-0.002*f ^{1.4} dB MAX
RETURN LOSS (Z OUT = 100 OHM ±15%)	.1-40 MHz	40-100 MHz
	-16 dB MIN	-10+20*LOG ₁₀ (f/80 MHz) dB MIN
INDUCTANCE (OCL) (MEDIA SIDE, 0°C-70°C)	350 uH MIN (MEASURED AT 100 KHz, 100 mVRMS AND WITH 8 mA DC BIAS)	
CROSSTALK, ADJACENT CHANNELS	1 MHz	10-100 MHz
	-50 dB MIN	-55+22*LOG ₁₀ (f/10) dB MIN
COMMON MODE REJECTION RATIO	2 MHz	30-200 MHz
	-50 dB MIN	-15+20*LOG ₁₀ (f/200) dB MIN
INPUT - OUTPUT ISOLATION	2250 VDC MINIMUM FOR 60 SECONDS	

NOTE: f IS FREQUENCY IN MHz.

EMMITTED COLOR	GREEN	YELLOW
WAVELENGTH (nm)	568 nM	585 nM
BRIGHTNESS (mCD)	8.5 TYP. @ 20 mA	6.0 TYP. @ 20 mA
VIEWING ANGLE	85° - 100°	85° - 100°
POWER DISSIPATION (Pd)	100 mA MAX	100 mA MAX
DC FORWARD CURRENT	150 mA MAX	150 mA MAX
REVERSE VOLTAGE (Vr)	2.2 TO 2.6 VOLTS	2.1 TO 2.6 VOLTS

NOTE: PER VENDOR'S SPECIFICATIONS

UNLESS OTHERWISE SPECIFIED, ALL DIMENSIONS ARE IN INCHES TOLERANCES ARE:
 DECIMALS .XX ±.01
 ANGLES ± 1'
 .XXX ±.005
 DO NOT SCALE DRAWING

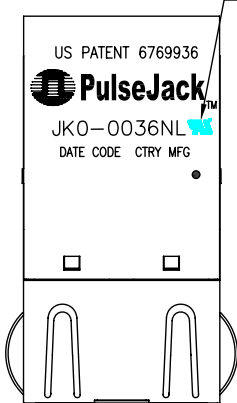
SIZE	DATE CODE	DWG. NO.	REV.
B01961		JK0-0036NL	11
SCALE	CADD FILE	M-JK0-0036NL-2	SHEET 2 OF 5
NONE			

120CT2004

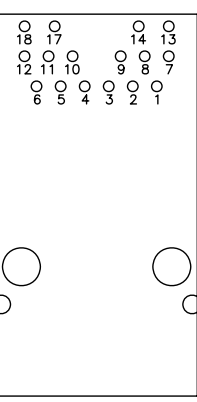
JKO-0036NL 4

NOTICE: THE INFORMATION AND DESIGN CONTAINED HEREIN IS THE PROPERTY OF PULSE WHO RESERVES ALL RIGHTS THERETO.

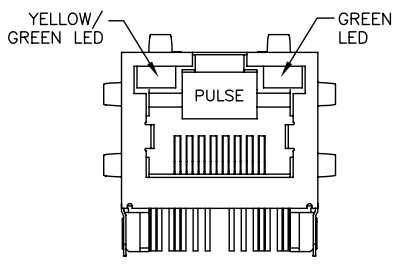
FINAL OUTLINE NOTE:
 1. CHECK DIMENSIONS PER PACKAGE SPECIFICATION ITEM 17.



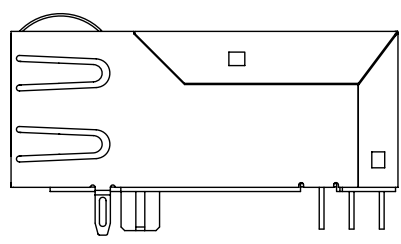
MARK PART WITH "UL MARK" PER PROCEDURE ITEM 19. MARK POSITION IS OPTIONAL PREFERRED LOCATION IS TOP OF THE PART.



FRONT OF CONNECTOR
 PCB PINOUT
 COMPONENT SIDE SHOWN



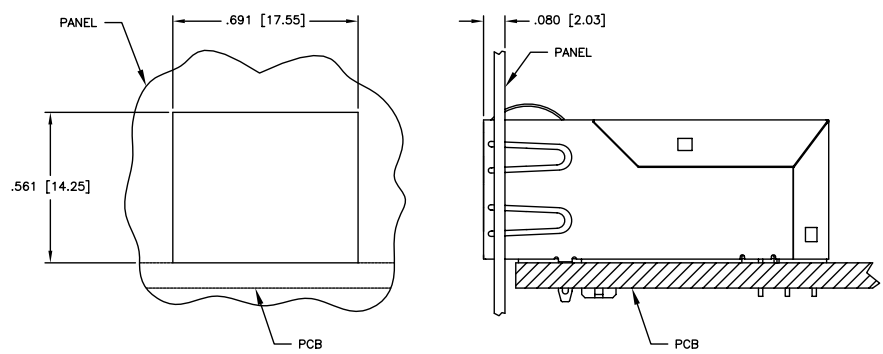
FINAL OUTLINE



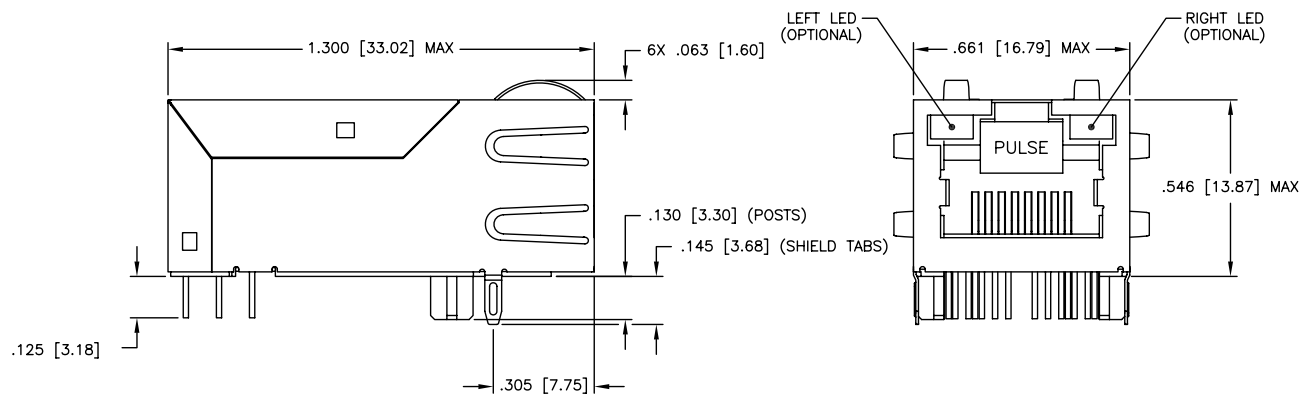
UNLESS OTHERWISE SPECIFIED, ALL DIMENSIONS ARE IN INCHES TOLERANCES ARE:		SIZE	DATE CODE	DWG. NO.	REV.
DECIMALS	ANGLES	B	01961	JKO-0036NL	11
.XX ±.01	± 1°	SCALE	NONE	CADD FILE	M-JKO-0036NL-3
.XXX ±.005					SHEET 3 OF 5
DO NOT SCALE DRAWING					

120CT2004

JKO-0036NL
 NOTICE: THE INFORMATION AND DESIGN CONTAINED HEREIN IS THE PROPERTY OF PULSE WHO RESERVES ALL RIGHTS THERETO.



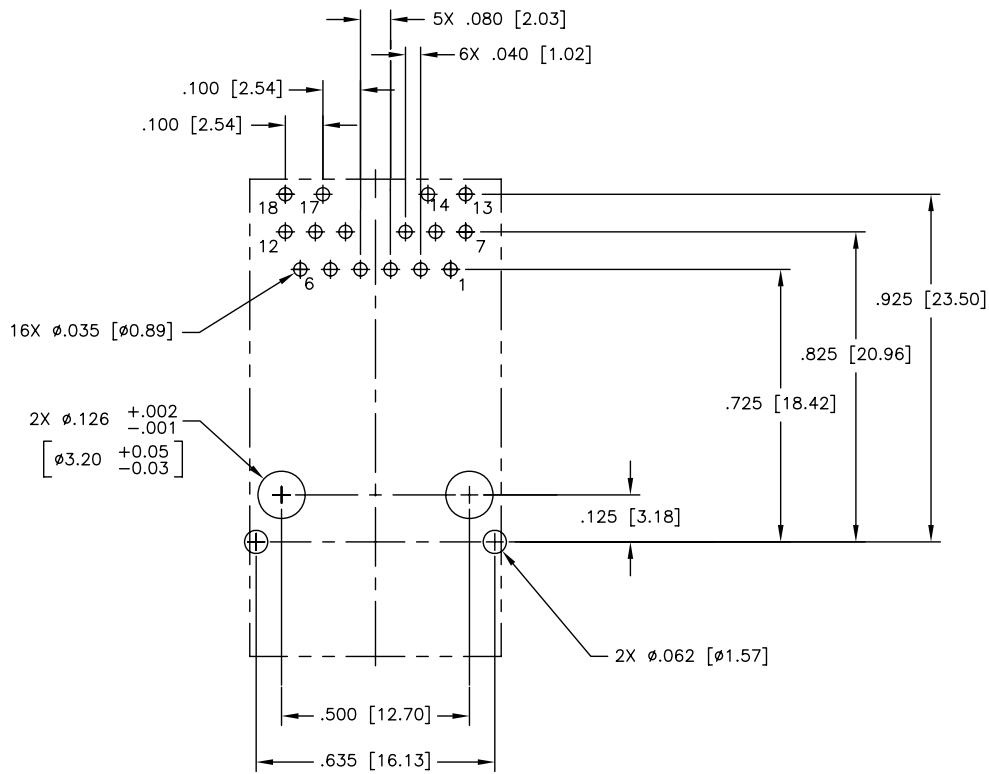
SUGGESTED PANEL CUTOUT



UNLESS OTHERWISE SPECIFIED, ALL DIMENSIONS ARE IN INCHES TOLERANCES ARE:
 DECIMALS: .XX ±.01
 .XXX ±.005
 DO NOT SCALE DRAWING

SIZE	DATE CODE	DWG. NO.	REV
B01961		JKO-0036NL	11
SCALE	DWG. FILE	SHEET	
4/1	M-JKO-0036NL-4	4 OF 5	

JKO-0036NL
 NOTICE: THE INFORMATION AND DESIGN CONTAINED HEREIN IS THE PROPERTY OF PULSE WHO RESERVES ALL RIGHTS THERETO.



FRONT OF CONNECTOR
 SUGGESTED PCB LAYOUT
 (COMPONENT SIDE SHOWN)
 DIMENSIONAL TOLERANCE:
 .XXX ±.003 [X.XX ±0.08]

UNLESS OTHERWISE SPECIFIED, ALL DIMENSIONS ARE IN INCHES TOLERANCES ARE:
 DECIMALS ±.01
 ANGLES 3.0°
 DO NOT SCALE DRAWING

SIZE	DATE CODE	DWG. NO.	REV
B01961		JKO-0036NL	11
SCALE	CADD FILE	SHEET	
4/1	M-JKO-0036NL-5	5 OF 5	