

THE INFORMATION CONTAINED HEREIN IS CONSIDERED 'PROPRIETARY' TO BEL FUSE INC. AND SHALL NOT BE COPIED, REPRODUCED OR DISCLOSED WITHOUT THE WRITTEN APPROVAL OF BEL FUSE INC.

LED 1 POLARITY			LED 2 POLARITY		
PIN 17	PIN 18	COLOR	PIN 19	PIN 20	COLOR
-	+	YELLOW	+	-	ORANGE
			-	+	GREEN

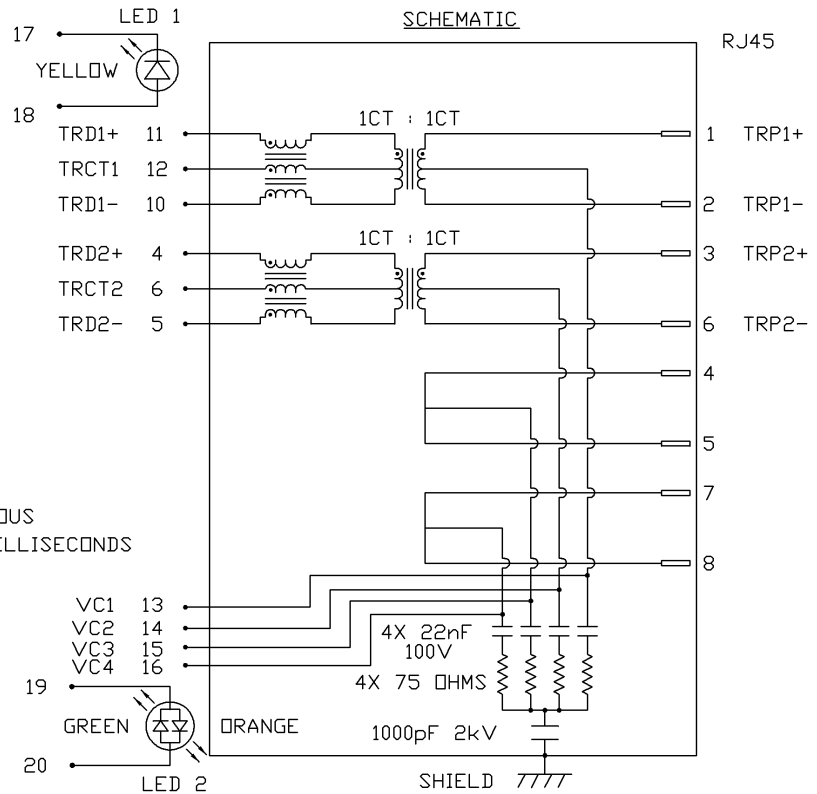
PRELIMINARY

RoHS
2002/95/EC



ELECTRICAL CHARACTERISTICS @ 25°C

TURNS RATIO
 TP1 1CT : 1CT ±2%
 TP2 1CT : 1CT ±2%
 OCL @ 100kHz/100mVRMS
 FOR CHANNEL 1 AND CHANNEL 2
 11mA DC BIAS 350µH MIN.
 Compliant to IEEE 802.3at specification
 INS. LOSS
 0.1MHz TO 1MHz -1.1 dB MAX
 1MHz TO 65MHz -0.8 dB MAX
 65MHz TO 100MHz -1.2 dB MAX
 RET. LOSS (MIN)
 0.5MHz-40MHz -18 dB
 40MHz-100MHz -12+20LOG(f/80MHz) dB
 CM TO CM REJ
 100kHz - 100MHz -30 dB MIN
 CM TO DM REJ
 100kHz - 100MHz -35 dB MIN
 HIPOT (Isolation Voltage): 2250 VDC
 100% OF PRODUCTION TESTED TO COMPLY WITH
 IEEE 802.3 ISOLATION REQUIREMENTS.
 BALANCED DC LINE CURRENT 720 mA MAX. @ 57 VDC CONTINUOUS
 1.2 A MAX. @ 57 VDC FOR 200 MILLISECONDS
 LED 1
 VF (FORWARD VOLTAGE) IF=20mA YELLOW 2.1V TYP.
 LD (DOMINANT WAVELENGTH) IF=20mA YELLOW 590nm TYP.
 LED 2
 VF (FORWARD VOLTAGE) IF=20mA GREEN 2.2V TYP.
 ORANGE 2.0V TYP.
 LD (DOMINANT WAVELENGTH) IF=20mA GREEN 565nm TYP.
 ORANGE 610nm TYP.
 OPERATING TEMPERATURE: -40°C TO 85°C



ORIGINATED BY	DATE	TITLE	PART NO. / DRAWING NO.	STANDARD DIM. TOL. IN INCH	[] METRIC DIM. AS REFERENCE
CHOW WANCHUNG	03-17-09	10/100 MagJack®	08261X1TGJ-F	.X	UNIT : INCH [mm] REV. : PA
DRAWN BY	DATE	(PoEp, Extended Temperature)	FILE NAME	.XX	SCALE : N/A SIZE : A4
ZENG DADI	03-17-09	0826-1X1T-GJ-F	08261X1TGJ-F_PA.DWG	.XXX	PAGE : 2



DC002(2)032305

This document is electronically generated. This is a controlled copy if used internally

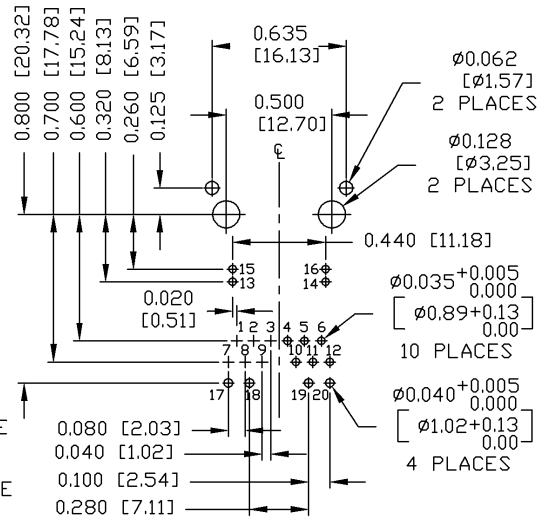
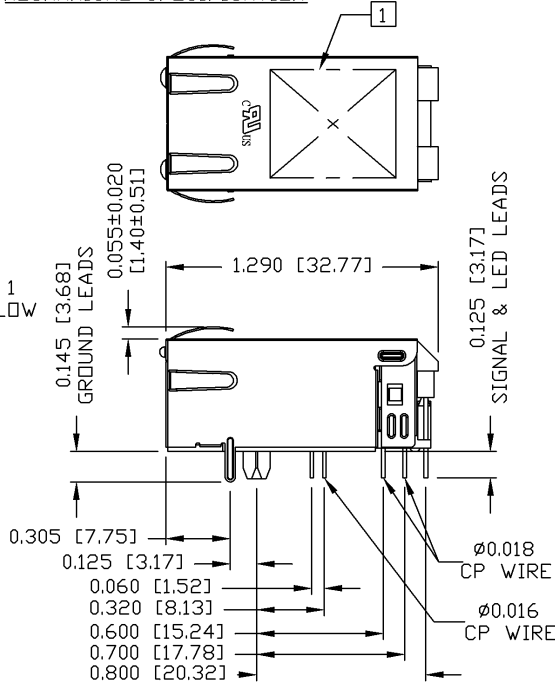
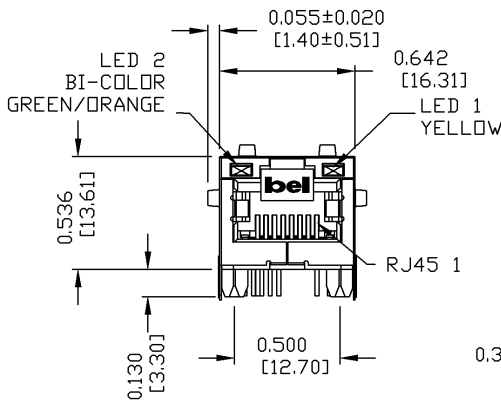
THE INFORMATION CONTAINED HEREIN IS CONSIDERED PROPRIETARY TO BEL FUSE INC. AND SHALL NOT BE COPIED, REPRODUCED OR DISCLOSED WITHOUT THE WRITTEN APPROVAL OF BEL FUSE INC.

MECHANICAL SPECIFICATION

PRELIMINARY

RECOMMENDED PCB FOOTPRINT
COMPONENT SIDE VIEW

RoHS
2002/95/EC



NOTES:

- PLASTIC HOUSING: THERMOPLASTIC PA
FLAMMABILITY RATING UL 94V-0
- CONTACTS: 50 MICRO-INCH HARD GOLD PLATING
- OUTPUT PINS: TIN-COATED COPPER WIRE, DIA 0.016 AND DIA 0.018 INCH.
- METAL SHIELD: NICKEL PLATED ON COPPER ALLOY.
- (ALL GROUND LEADS ARE SOLDER DIPPED)

UL US UL RECOGNIZED - FILE #E196366 AND E169987.
RoHS COMPLIANT, PER EU DIRECTIVE 2002/95/EC
JACK CAVITY CONFORMS TO FCC RULES AND REGULATIONS.

1. MARK PART WITH MFG LOGO, MFG NAME, PART NUMBER, AND DATE CODE.

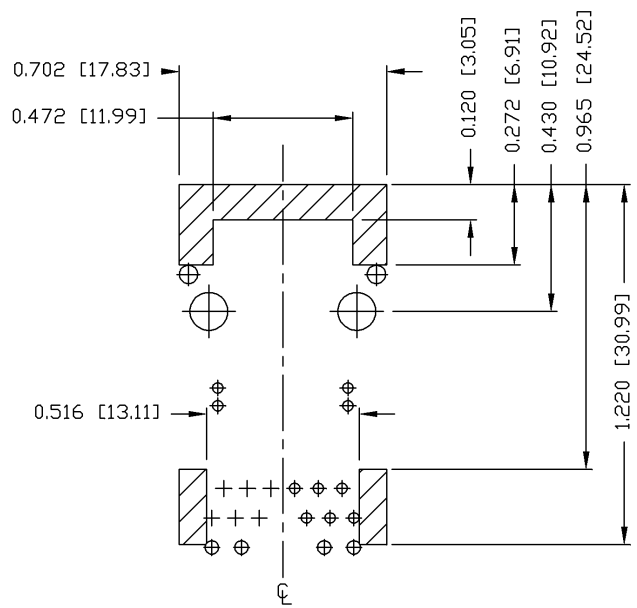
ORIGINATED BY ZX HUANG	DATE 03-17-09	TITLE 10/100 MagJack® (PoEp, Extend Temperature)	PART NO. / DRAWING NO. 08261X1TGJ-F	STANDARD DIM. TOL. IN INCH	[] METRIC DIM. AS REFERENCE	 COMPONENTS FOR A CONNECTED PLANET	
DRAWN BY BL CHEN	DATE 03-17-09	FILE NAME 08261X1TGJ-F_PA.DWG		.X	UNIT : INCH [mm]		REV. : PA
				.XX	SCALE : N/A		SIZE : A4
				.XXX ±0.010	SCALE : N/A		PAGE : 3

DC002(2)032305

This document is electronically generated. This is a controlled copy if used internally

THE INFORMATION CONTAINED HEREIN IS CONSIDERED "PROPRIETARY" TO BEL FUSE INC. AND SHALL NOT BE COPIED, REPRODUCED OR DISCLOSED WITHOUT THE WRITTEN APPROVAL OF BEL FUSE INC.

PRELIMINARY



NOTES

THE SHADED AREA ON THE CUSTOMER BOARD ARE RECOMMENDED TO BE CLEAR OFF ANY VIA HOLE OR COMPONENT PAD.

ORIGINATED BY ZX HUANG	DATE 03-17-09	TITLE 10/100 MagJack® (PoEp, Extend Temperature)	PART NO. / DRAWING NO. 08261X1TGJ-F		[] METRIC DIM. AS REFERENCE	
			FILE NAME 08261X1TGJ-F_PA.DWG		UNIT : INCH [mm]	REV. : PA
DRAWN BY BL CHEN	DATE 03-17-09	0826-1X1T-GJ-F	STANDARD DIM. TOL. IN INCH		SCALE : N/A	SIZE : A4
			.X		SCALE : N/A	PAGE : 4
			.XX		[] METRIC DIM. AS REFERENCE	
			.XXX	±0.004	[] METRIC DIM. AS REFERENCE	



DC002(2)032305

This document is electronically generated. This is a controlled copy if used internally

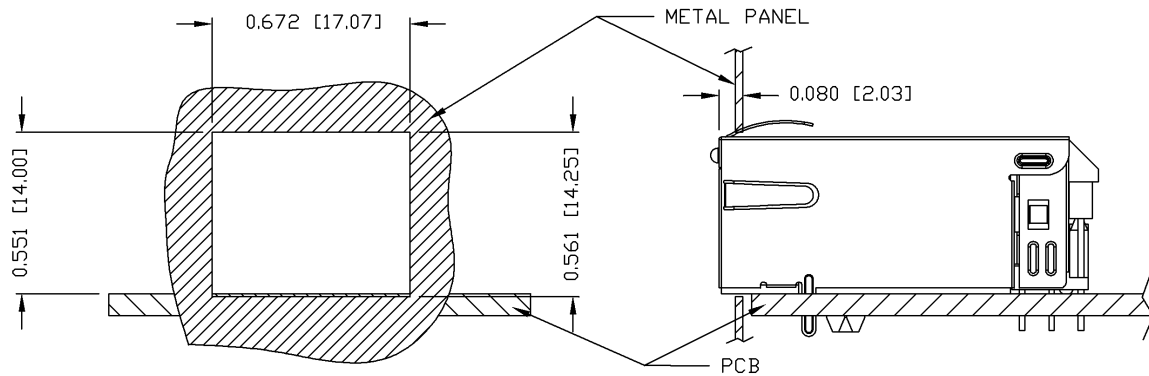
THE INFORMATION CONTAINED HEREIN IS CONSIDERED "PROPRIETARY" TO BEL FUSE INC. AND SHALL NOT BE COPIED, REPRODUCED OR DISCLOSED WITHOUT THE WRITTEN APPROVAL OF BEL FUSE INC.

RoHS
2002/95/EC



SUGGESTED PANEL OPENING

PRELIMINARY



NOTE:

THE DISTANCE OF PANEL INSIDE SURFACE RELATIVE TO FRONT SURFACE OF PART IS ONLY A SUGGESTION. IN CASE THIS DISTANCE IS DIFFERENT, THE REQUIRED PANEL OPENING DIMENSIONS CHANGE ACCORDINGLY.

PACKING INFORMATION

PACKING TRAY : 0200-9999-F6 (TOP)
0200-9999-F7 (BOTTOM)

PACKING QUANTITY : 40 PCS FINISHED GOODS PER TRAY
10 TRAYS (400 PCS FINISHED GOODS) PER CARTON BOX

NOTE : CARDBOARDS ARE PLACED BETWEEN LAYERS OF PACKING TRAY INSIDE CARTON BOX
(INCLUDE THE UPPERMOST AND LOWERMOST TRAY)

ORIGINATED BY ZX HUANG	DATE 03-17-09	TITLE 10/100 MagJack® (PoEp, Extended Temperature)	PART NO. / DRAWING NO. 08261X1TGJ-F	STANDARD DIM.		[] METRIC DIM. AS REFERENCE		bel COMPONENTS FOR A CONNECTED PLANET
				TOL. IN INCH		UNIT : INCH [mm]	REV. : PA	
DRAWN BY BL CHEN	DATE 03-17-09	FILE NAME 08261X1TGJ-F_PA.DWG		.X	/	SCALE : N/A	SIZE : A4	
				.XX				
				.XXX	±0.004	PAGE : 5		

DC002(2)032305

This document is electronically generated. This is a controlled copy if used internally