



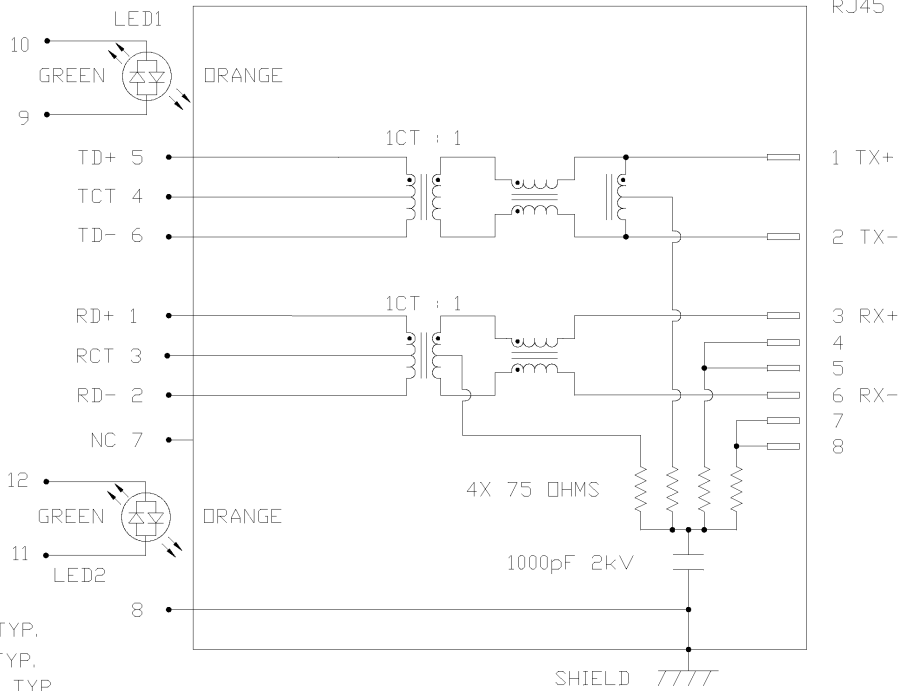
THE INFORMATION CONTAINED HEREIN IS CONSIDERED "PROPRIETARY" TO BEL FUSE INC. AND SHALL NOT BE COPIED, REPRODUCED OR DISCLOSED WITHOUT THE WRITTEN APPROVAL OF BEL FUSE INC.

LED1 POLARITY			LED2 POLARITY		
PIN 9	PIN 10	COLOR	PIN 11	PIN 12	COLOR
+	-	GREEN	+	-	GREEN
-	+	ORANGE	-	+	ORANGE

SCHEMATIC

ELECTRICAL CHARACTERISTICS @ 25°C

<p> <b>URNS RATIO</b>                  TX 1CT : 1                  RX 1CT : 1  <b>QCL @ 100kHz/100mVRMS</b>                  8mA DC BIAS (0°C - 70°C) 350µH MIN.  <b>INS. LOSS</b>                  1MHz TO 100MHz -1.1 dB MAX  <b>RET. LOSS (MIN) @ 100DHMS ±15%</b>                  1MHz-30MHz -18 dB                  30MHz-60MHz -18+20LOG(F/30MHz) dB                  60MHz-80MHz -12 dB  <b>CROSS TALK (TX - RX)</b>                  100kHz-100MHz -35 dB MIN  <b>CM TO CM REJ</b>                  100kHz-100MHz -30 dB MIN  <b>CM TO DM REJ</b>                  100kHz-100MHz -35 dB MIN  <b>HIPOT (Isolation Voltage):</b> 1500 Vrms                  100% OF PRODUCTION TESTED                  TO COMPLY WITH IEEE 802.3 ISOLATION REQUIREMENTS.  <b>LED 1 &amp; 2</b>                  VF (FORWARD VOLTAGE) IF=20mA GREEN 2.2V TYP.                  ORANGE 2.0V TYP.                  λD (DOMINANT WAVELENGTH) IF=20mA GREEN 565nm TYP.                  ORANGE 610nm TYP.             </p>
--



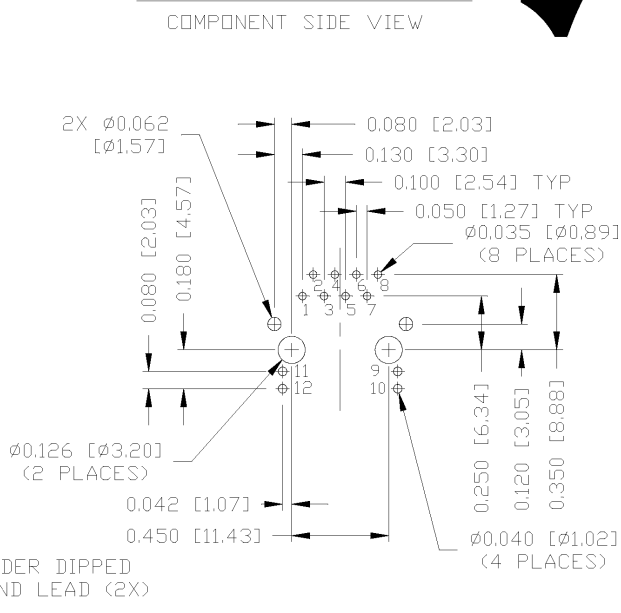
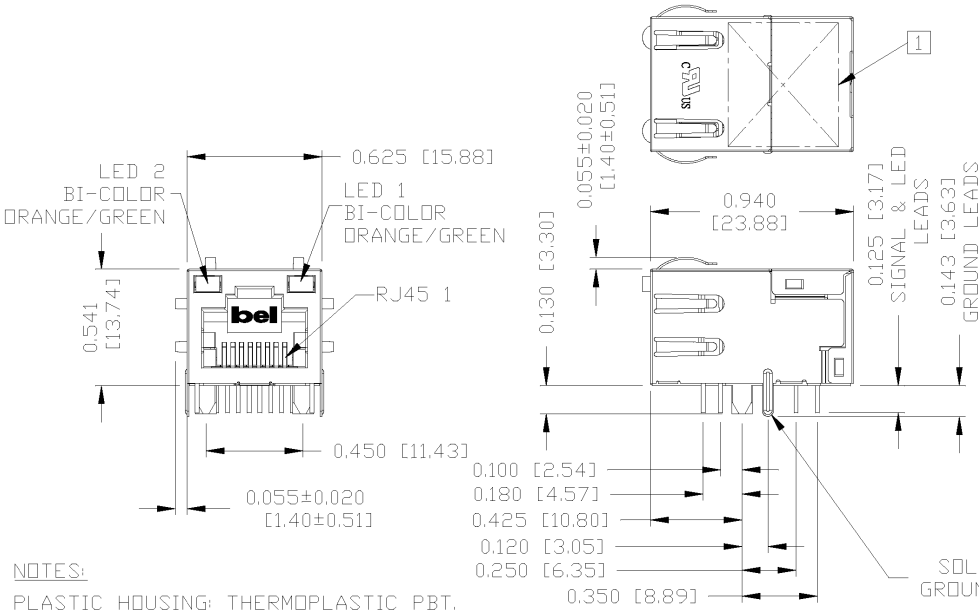
ORIGINATED BY CHUNG	DATE 04-04-07	TITLE 1X1 MagJack® WITH LEDs	PART NO. / DRAWING NO. 0875-1B1T-P1	STANDARD DIM. TOL. IN INCH .X .XX .XXX	[ ] METRIC DIM. AS REFERENCE UNIT : INCH [mm] SCALE : N/A	REV. : A SIZE : A4 PAGE : 2	<b>bel</b> COMPONENTS OF A CONNECTED PLANET
DRAWN BY DE	DATE 04-04-07		FILE NAME 08751B1TP1A.DWG				



MECHANICAL SPECIFICATION

RECOMMENDED PCB FOOTPRINT  
COMPONENT SIDE VIEW

THE INFORMATION CONTAINED HEREIN IS CONSIDERED "PROPRIETARY" TO BEL FUSE INC. AND SHALL NOT BE COPIED, REPRODUCED OR DISCLOSED WITHOUT THE WRITTEN APPROVAL OF BEL FUSE INC.



NOTES:

- PLASTIC HOUSING: THERMOPLASTIC PBT. FLAMMABILITY RATING UL 94V-0
- CONTACTS: 30 MICRO-INCH HARD GOLD PLATING
- OUTPUT PINS: LEAD FREE COPPER WIRES, DIA 0.018 INCH.
- METAL SHIELD: NICKEL PLATED ON COPPER ALLOY. (ALL GROUND LEADS ARE SOLDER DIPPED)

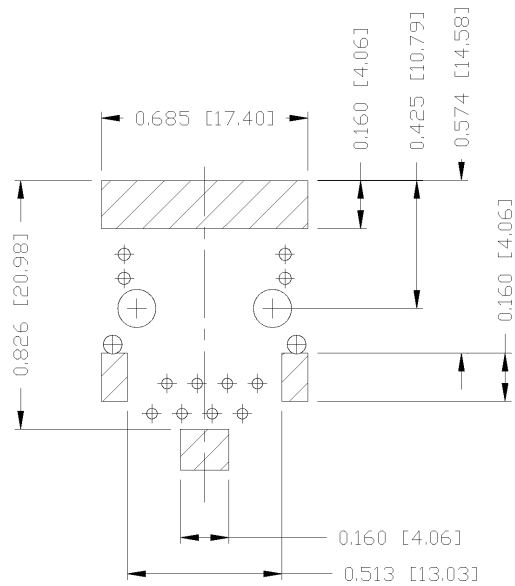
- MARK PART WITH MFG LOGO, NAME, PART NUMBER AND DATE CODE.
  - RoHS COMPLIANCE, PER EU DIRECTIVE 2002/95/EC.
- UL** UL RECOGNIZED - FILE #E196366 AND E169987.  
JACK CAVITY CONFORMS TO FCC RULES AND REGULATIONS.

ORIGINATED BY	DATE	TITLE	PART NO. / DRAWING NO.	STANDARD DIM. TOL. IN INCH	[ ] METRIC DIM. AS REFERENCE
QIN	04-04-07	1X1 MagJack® WITH LEDs	0875-1B1T-P1	.X	UNIT : INCH [mm] REV. : A
DRAWN BY	DATE		FILE NAME	.XX	SCALE : N/A SIZE : A4
TING	04-04-07		08751B1TP1A.DWG	.XXX ±0.010	PAGE : 3





THE INFORMATION CONTAINED HEREIN IS CONSIDERED "PROPRIETARY" TO BEL FUSE INC. AND SHALL NOT BE COPIED, REPRODUCED OR DISCLOSED WITHOUT THE WRITTEN APPROVAL OF BEL FUSE INC.



NOTE:

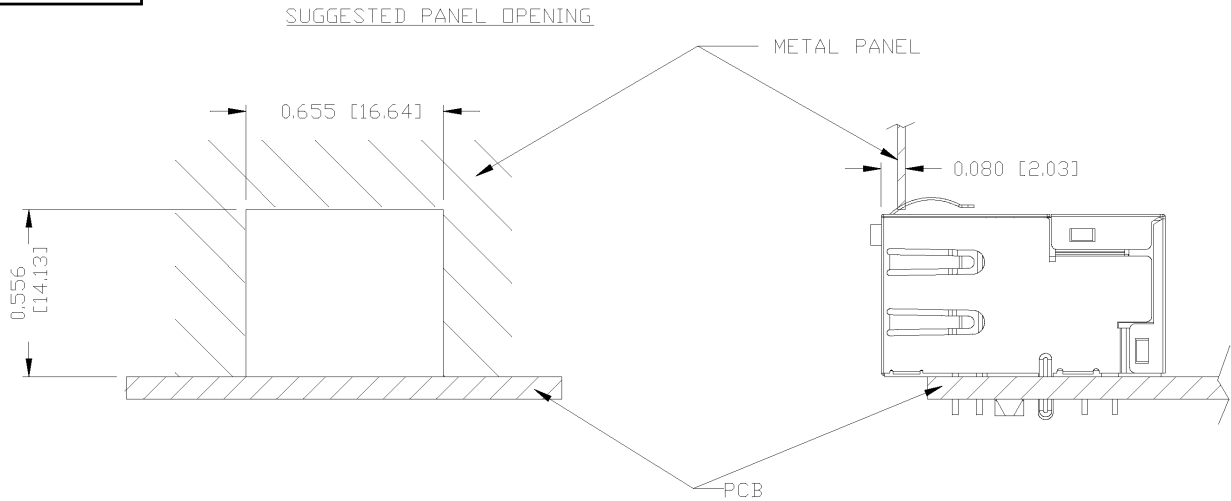
THE SHADED AREA ON THE CUSTOMER BOARD ARE RECOMMENDED TO BE CLEAR OFF ANY VIA HOLE OR COMPONENT PAD.

ORIGINATED BY QIN	DATE 04-04-07	TITLE 1X1 MagJack® WITH LEDs	PART NO. / DRAWING NO. 0875-1B1T-P1	STANDARD DIM. TOL. IN INCH	[ ] METRIC DIM. AS REFERENCE
DRAWN BY TING	DATE 04-04-07		FILE NAME 08751B1TP1A.DWG	.X /	UNIT : INCH [mm]
				.XX ±0.004	SCALE : N/A
				.XXX	SIZE : A4
					PAGE : 4





THE INFORMATION CONTAINED HEREIN IS CONSIDERED "PROPRIETARY" TO BEL FUSE INC. AND SHALL NOT BE COPIED, REPRODUCED OR DISCLOSED WITHOUT THE WRITTEN APPROVAL OF BEL FUSE INC.



**NOTE:**  
THE DISTANCE OF PANEL INSIDE SURFACE RELATIVE TO FRONT SURFACE OF PART IS ONLY A SUGGESTION. IN CASE THIS DISTANCE IS DIFFERENT, THE REQUIRED PANEL OPENING DIMENSIONS CHANGE ACCORDINGLY.

**PACKING INFORMATION**

PACKING TRAY : 0200-9999-H7 (TOP)  
0200-9999-H8 (BOTTOM)

PACKING QUANTITY : 60 PCS FINISHED GOODS PER TRAY  
10 TRAYS (600 PCS FINISHED GOODS) PER CARTON BOX

NOTE : CARDBOARDS ARE PLACED BETWEEN LAYERS OF PACKING TRAY INSIDE CARTON BOX  
(INCLUDE THE UPPERMOST AND LOWERMOST TRAY)

ORIGINATED BY	DATE	TITLE	PART NO. / DRAWING NO.	STANDARD DIM. TOL. IN INCH	[ ] METRIC DIM. AS REFERENCE
QIN	04-04-07	1X1 MagJack® WITH LEDs	0875-1B1T-P1	.X	UNIT : INCH [mm] REV. : A
DRAWN BY	DATE		FILE NAME	.XX	SCALE : N/A SIZE : A4
TING	04-04-07		08751B1TP1A.DWG	.XXX	±0.004
					⊕
					PAGE : 5

