

## INTEGRATED CONNECTOR MODULES

### L826-1X1T-43-F Gigabit Ethernet Low Profile Single Port MagJack® with LEDs



LED1 POLARITY			LED2 POLARITY		
PIN 13	PIN 14	COLOR	PIN 15	PIN 16	COLOR
-	+	YELLOW	-	+	GREEN
			+	-	ORANGE

#### ELECTRICAL CHARACTERISTICS @ 25°C

##### URNS RATIO

TP1	1CT : 1CT ±2%
TP2	1CT : 1CT ±2%
TP3	1CT : 1CT ±2%
TP4	1CT : 1CT ±2%

##### OCL @ 100kHz/100mVRMS

8mA DC BIAS 350µH MIN.

##### INS. LOSS

0.1MHz TO 1MHz	-1.1 dB MAX
1MHz TO 65MHz	-0.5 dB MAX
65MHz TO 100MHz	-0.8 dB MAX
100MHz TO 125MHz	-1.2 dB MAX

##### RET. LOSS (MIN)

0.5MHz-40MHz	-18 dB
40MHz-100MHz	-12+20LOG<f/80MHz> dB

##### CM TO CM REJ

100kHz - 100MHz -30 dB MIN

##### CM TO DM REJ

100kHz - 100MHz -35 dB MIN

##### HIPOUT (Isolation Voltage):

LED1 1500 Vrms

##### LED1

VF (FORWARD VOLTAGE) IF=20mA YELLOW 2.1V TYP.

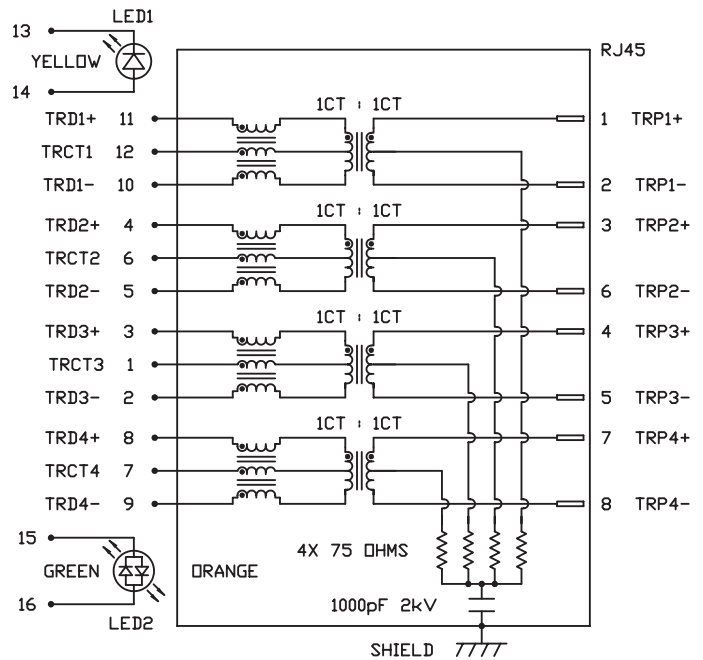
λD (DOMINANT WAVELENGTH) IF=20mA YELLOW 590nm TYP.

##### LED2

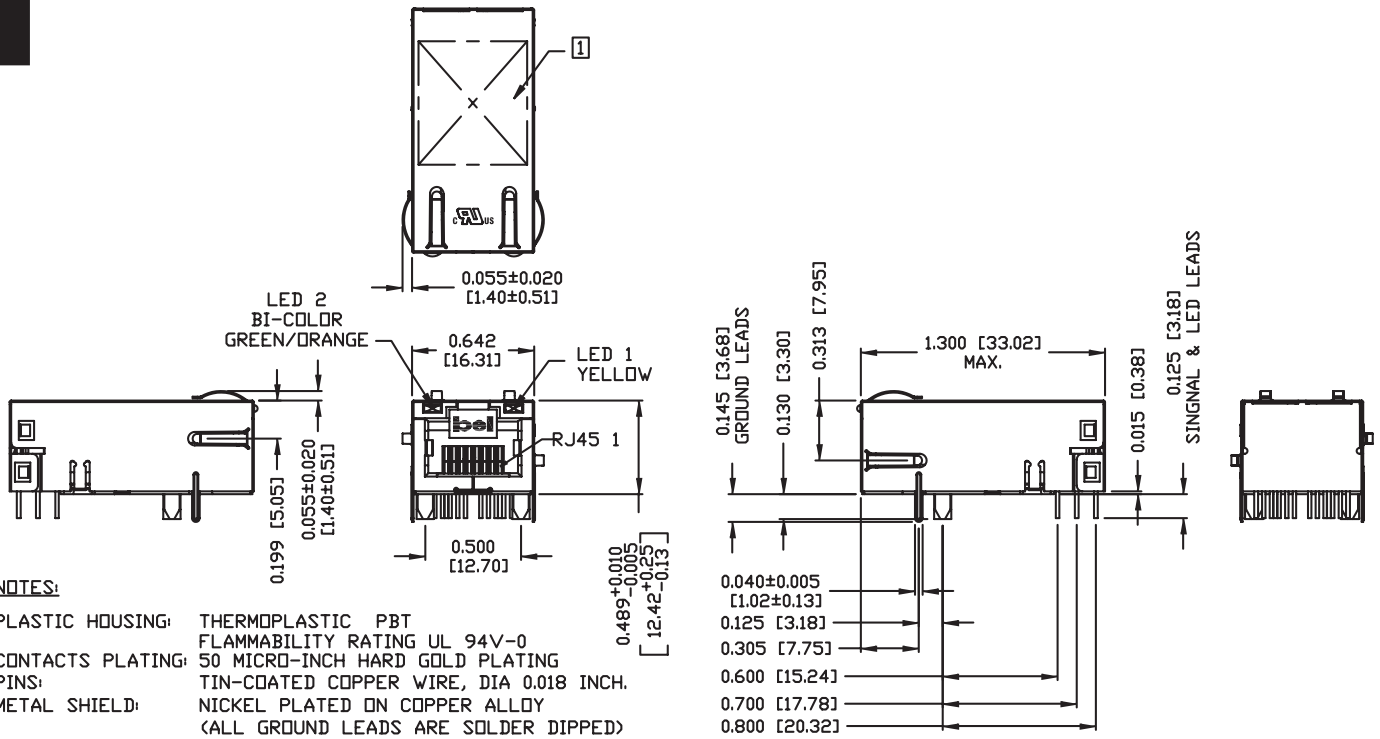
VF (FORWARD VOLTAGE) IF=20mA GREEN 2.2V TYP.

λD (DOMINANT WAVELENGTH) IF=20mA GREEN 565nm TYP.

ORANGE 2.0V TYP. 610nm TYP.



**INTEGRATED CONNECTOR MODULES**  
**L826-1X1T-43-F Gigabit Ethernet Low Profile Single Port MagJack® with LEDs**



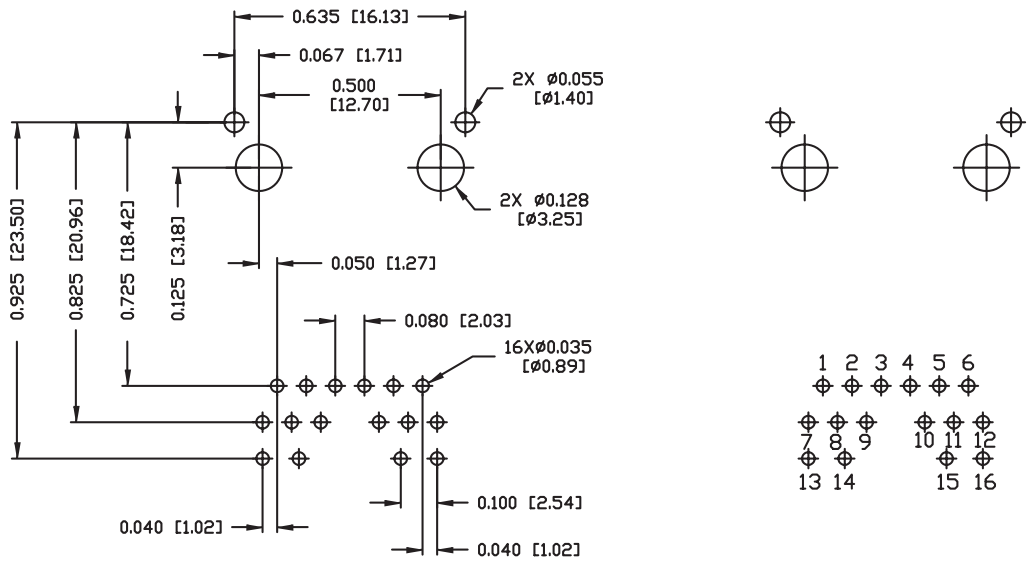
**NOTES:**

- PLASTIC HOUSING: THERMOPLASTIC PBT  
 FLAMMABILITY RATING UL 94V-0
  - CONTACTS PLATING: 50 MICRO-INCH HARD GOLD PLATING
  - PINS: TIN-COATED COPPER WIRE, DIA 0.018 INCH.
  - METAL SHIELD: NICKEL PLATED ON COPPER ALLOY  
 (ALL GROUND LEADS ARE SOLDER DIPPED)
1. MARK PART WITH MFG. LOGO; MFG. NAME; PART NUMBER; DATE CODE.  
 2. RoHS COMPLIANCE, PER EU DIRECTIVE 2002/95/EC

**INTEGRATED CONNECTOR MODULES**  
**L826-1X1T-43-F Gigabit Ethernet Low Profile Single Port MagJack® with LEDs**



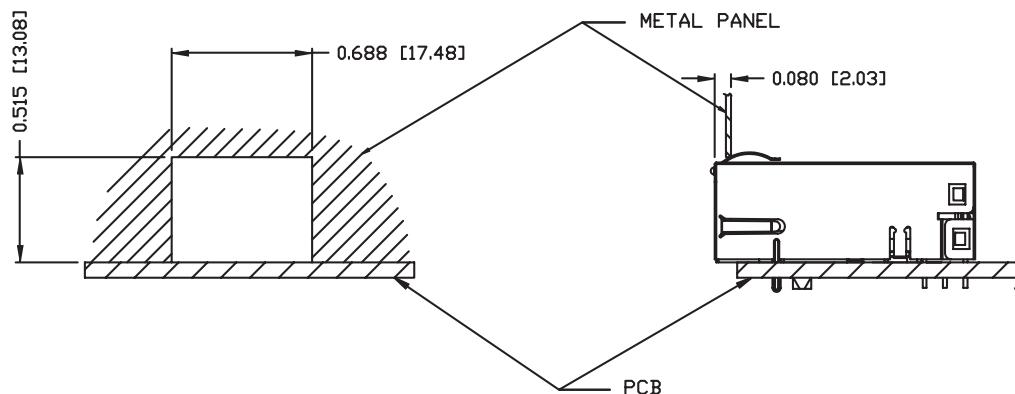
RECOMMENDED PCB FOOTPRINT  
 (COMPONENT SIDE VIEW)



**INTEGRATED CONNECTOR MODULES**  
**L826-1X1T-43-F Gigabit Ethernet Low Profile Single Port MagJack® with LEDs**



SUGGESTED PANEL OPENING



**NOTE:**

THE DISTANCE OF PANEL INSIDE SURFACE RELATIVE TO FRONT SURFACE OF PART IS ONLY A SUGGESTION. IN CASE THIS DISTANCE IS DIFFERENT, THE REQUIRED PANEL OPENING DIMENSIONS CHANGE ACCORDINGLY.

**PACKING INFORMATION**

PACKING TRAY: 0200-9999-D6 (TOP)  
 0200-9999-D7 (BOTTOM)

PACKING QUANTITY: 40 PCS FINISHED GOODS PER TRAY  
 11 TRAYS (440 PCS FINISHED GOODS) PER CARTON BOX

NOTE: CARDBOARDS ARE PLACED BETWEEN LAYERS OF PACKING TRAY INSIDE CARTON BOX  
 (INCLUDE THE UPPERMOST AND LOWERMOST TRAY)