

THE INFORMATION CONTAINED HEREIN IS CONSIDERED "PROPRIETARY" TO BEL FUSE INC. AND SHALL NOT BE COPIED, REPRODUCED OR DISCLOSED WITHOUT THE WRITTEN APPROVAL OF BEL FUSE INC.

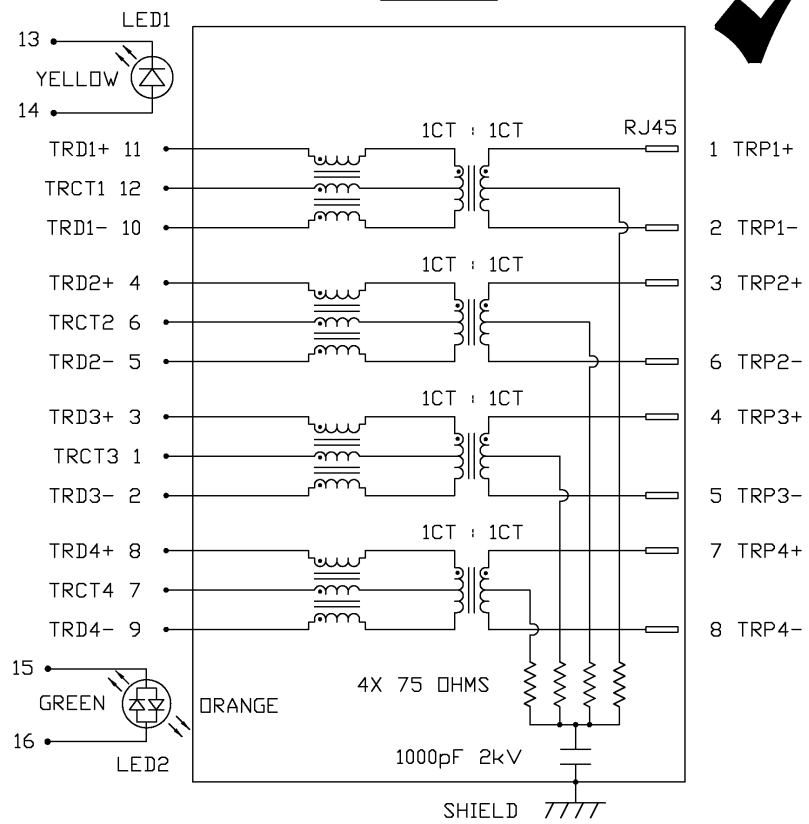


LED1 POLARITY			LED2 POLARITY		
PIN 13	PIN 14	COLOR	PIN 15	PIN 16	COLOR
-	+	YELLOW	+	-	ORANGE
/	/	/	-	+	GREEN

**ELECTRICAL CHARACTERISTICS @ 25°C**

<b>TRANSFORMER TURNS RATIO</b>	
TP1	1CT : 1CT ±2%
TP2	1CT : 1CT ±2%
TP3	1CT : 1CT ±2%
TP4	1CT : 1CT ±2%
<b>OCL @ 100kHz/100mVRMS</b>	
8mA DC BIAS	350µH MIN.
<b>INS. LOSS</b>	
0.1MHz TO 1MHz	-1.1 dB MAX
1MHz TO 65MHz	-0.5 dB MAX
65MHz TO 100MHz	-0.8 dB MAX
100MHz TO 125MHz	-1.2 dB MAX
<b>RET. LOSS (MIN)</b>	
0.5MHz-40MHz	-18 dB
40MHz-100MHz	-12+20LOG(f/80MHz) dB
<b>CM TO CM REJ</b>	
100kHz - 100MHz	-30 dB MIN
<b>CM TO DM REJ</b>	
100kHz - 100MHz	-35 dB MIN
<b>HIPOT (Isolation Voltage):</b>	1500 Vrms
<b>OPERATING TEMPERATURE:</b>	-40 TO +85°C
<b>LED 1</b>	
VF (FORWARD VOLTAGE)	IF=20mA YELLOW 2.1V TYP.
λD (DOMINANT WAVELENGTH)	IF=20mA YELLOW 590nm TYP.
<b>LED 2</b>	
VF (FORWARD VOLTAGE)	IF=20mA ORANGE 2.0V TYP.
	IF=20mA GREEN 2.2V TYP.
λD (DOMINANT WAVELENGTH)	IF=20mA ORANGE 610nm TYP.
	IF=20mA GREEN 565nm TYP.

**SCHEMATIC**



<b>ORIGINATED BY</b>	<b>DATE</b>	<b>TITLE</b>	<b>PART NO. / DRAWING NO.</b>	<b>STANDARD DIM. TOL. IN INCH</b>	<b>[ ] METRIC DIM. AS REFERENCE</b>
CHUNG	06-25-05	gigabit MagJack®	08261X1T32-F	X	UNIT : INCH [mm] REV. : A
<b>DRAWN BY</b>	<b>DATE</b>	(Ext. Temp, Tab Up)	<b>FILE NAME</b>	.XX	SCALE : N/A SIZE : A4
DE	06-25-05	0826-1X1T-32-F	08261X1T32-F.A.DWG	.XXX	PAGE : 2

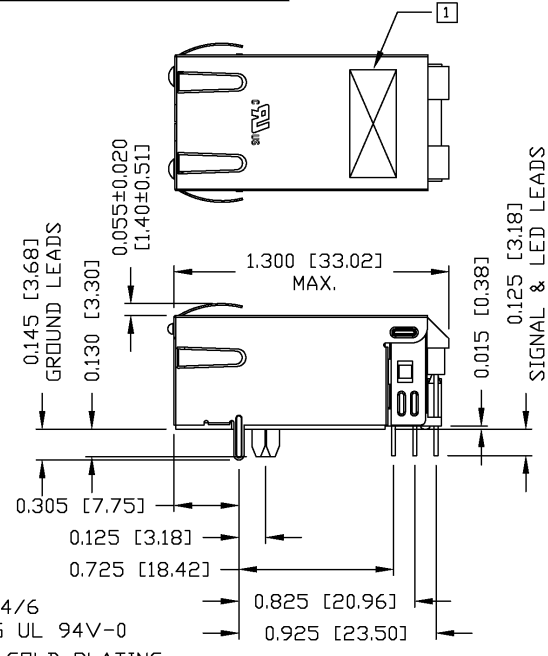
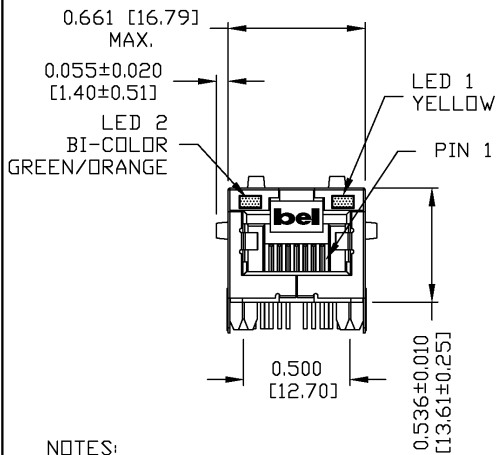


This document is electronically generated. This is a controlled copy if used internally

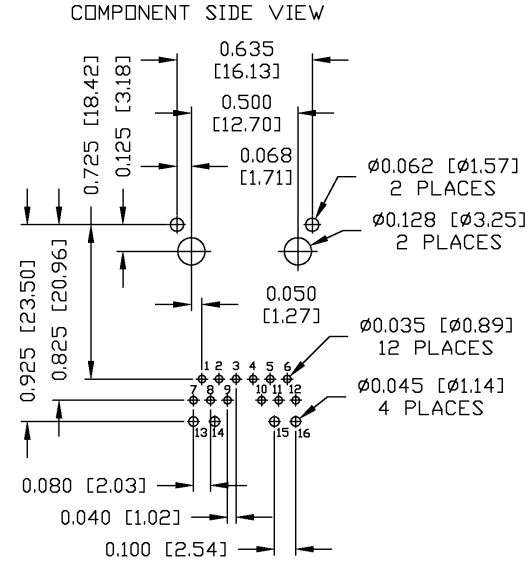
THE INFORMATION CONTAINED HEREIN IS CONSIDERED "PROPRIETARY" TO BEL FUSE INC. AND SHALL NOT BE COPIED, REPRODUCED OR DISCLOSED WITHOUT THE WRITTEN APPROVAL OF BEL FUSE INC.



MECHANICAL SPECIFICATION



RECOMMENDED PCB FOOTPRINT



- NOTES:**  
 PLASTIC HOUSING: THERMOPLASTIC PA 4/6  
 FLAMMABILITY RATING UL 94V-0  
 CONTACTS: 50 MICRO-INCH HARD GOLD PLATING  
 OUTPUT PINS: TIN-COATED COPPER WIRE, DIA 0.018 INCH.  
 METAL SHIELD: NICKEL OR TIN PLATED ON COPPER ALLOY.  
 (ALL NICKEL PLATED GROUND LEADS ARE SOLDER DIPPED)  
 [1] MARK PART WITH MFG LOGO, MFG NAME, PART NUMBER, AND DATE CODE .  
 c **UL** us UL RECOGNIZED - FILE #E196366 AND E169987.  
 RoHS COMPLIANT, PER EU DIRECTIVE 2002/95/EC

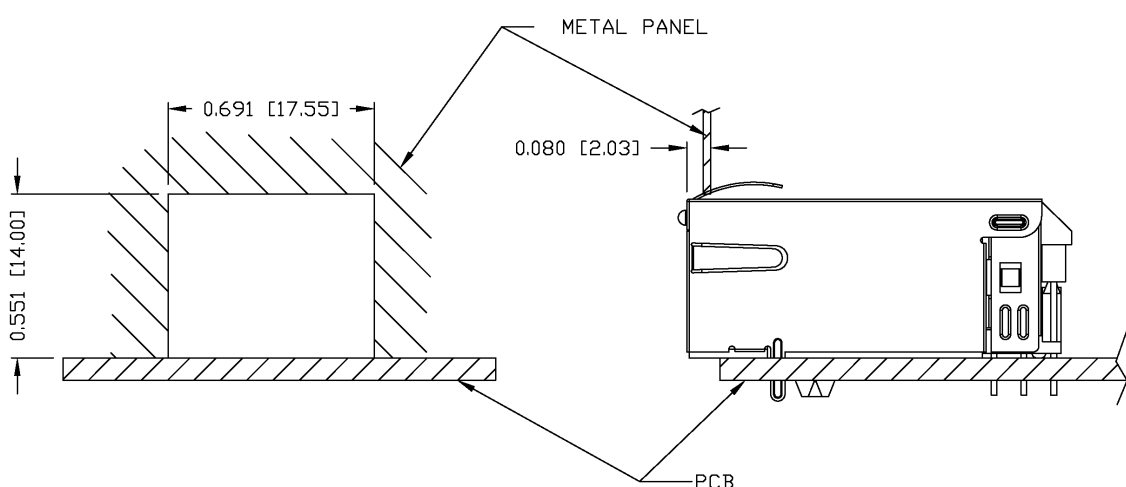
ORIGINATED BY BILL/KEUNG	DATE 06-25-05	TITLE gigabit MagJack® (Ext. Temp, Tab Up)	PART NO. / DRAWING NO. 08261X1T32-F	STANDARD DIM. TOL. IN INCH		[ ] METRIC DIM. AS REFERENCE		 COMPONENTS ARE A CONNECTED PLANET
				.X		UNIT : INCH [mm]	REV. : A	
DRAWN BY LING	DATE 06-25-05	0826-1X1T-32-F	FILE NAME 08261X1T32-F.A.DWG	.XX		SCALE : N/A	SIZE : A4	PAGE : 3
				.XXX	±0.010			

This document is electronically generated. This is a controlled copy if used internally

THE INFORMATION CONTAINED HEREIN IS CONSIDERED "PROPRIETARY" TO BEL FUSE INC. AND SHALL NOT BE COPIED, REPRODUCED OR DISCLOSED WITHOUT THE WRITTEN APPROVAL OF BEL FUSE INC.



SUGGESTED PANEL OPENING



NOTE:

THE DISTANCE OF PANEL INSIDE SURFACE RELATIVE TO FRONT SURFACE OF PART IS ONLY A SUGGESTION. IN CASE THIS DISTANCE IS DIFFERENT, THE REQUIRED PANEL OPENING DIMENSIONS CHANGE ACCORDINGLY.

PACKING INFORMATION

PACKING TRAY : 0200-9999-F6 (TOP)  
 0200-9999-F7 (BOTTOM)  
 PACKING QUANTITY : 40 PCS FINISHED GOODS PER TRAY  
 10 TRAYS (400 PCS FINISHED GOODS) PER CARTON BOX  
 NOTE : CARDBOARDS ARE PLACED BETWEEN LAYERS OF PACKING TRAY INSIDE CARTON BOX  
 (INCLUDE THE UPPERMOST AND LOWERMOST TRAY)

ORIGINATED BY BILL/KEUNG	DATE 06-25-05	TITLE gigabit MagJack® (Ext. Temp, Tab Up) 0826-1X1T-32-F	PART NO. / DRAWING NO. 08261X1T32-F	STANDARD DIM. TOL. IN INCH	[ ] METRIC DIM. AS REFERENCE
DRAWN BY LING	DATE 06-25-05		FILE NAME 08261X1T32-FA.DWG	.X .XX .XXX ±0.005	UNIT : INCH [mm] SCALE : N/A PAGE : 4



DC002(2)032305 This document is electronically generated. This is a controlled copy if used internally