

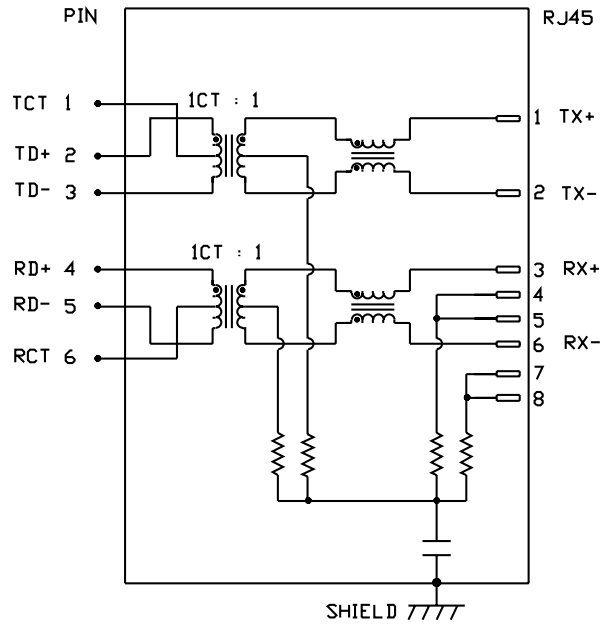
**INTEGRATED CONNECTOR MODULES**  
**L811-1X1T-06-F 10/100Base-TX Single Port Low Profile MagJack®**



**ELECTRICAL CHARACTERISTICS @ 25°C**

<b>URNS RATIO</b>	
TX	1CT : 1
RX	1CT : 1
<b>QCL @ 100kHz/100mVRMS</b>	
8mA DC BIAS	350µH MIN.
<b>INS. LOSS</b>	
1MHz TO 100MHz	-1.0 dB MAX
<b>RET. LOSS (MIN)</b>	
1MHz-30MHz	-18 dB
30MHz-60MHz	-18+20LOG(F/30MHz) dB
60MHz-80MHz	-12 dB
<b>CROSS TALK (TX - RX)</b>	
500kHz - 100 MHz	-35 dB MIN
<b>CM TO CM REJ</b>	
100kHz - 100 MHz	-30 dB MIN
<b>CM TO DM REJ</b>	
100kHz - 100 MHz	-35 dB MIN
<b>HIPOT (Isolation Voltage):</b>	1500 Vrms

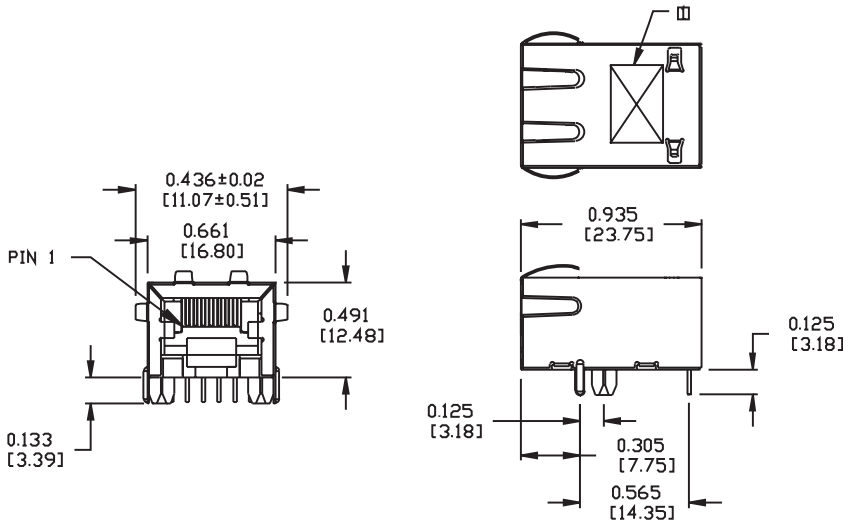
**SCHEMATIC**



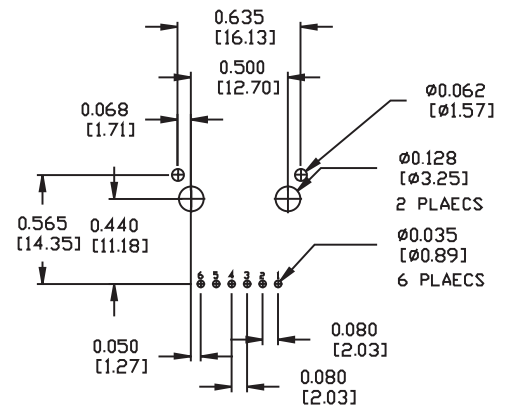
**INTEGRATED CONNECTOR MODULES**  
**L811-1X1T-06-F 10/100Base-TX Single Port Low Profile MagJack®**



MECHANICAL SPECIFICATION



RECOMMENDED PCB FOOTPRINT  
 COMPONENT SIDE VIEW

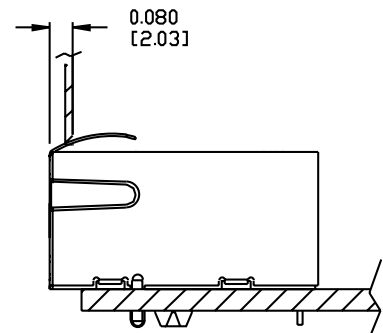
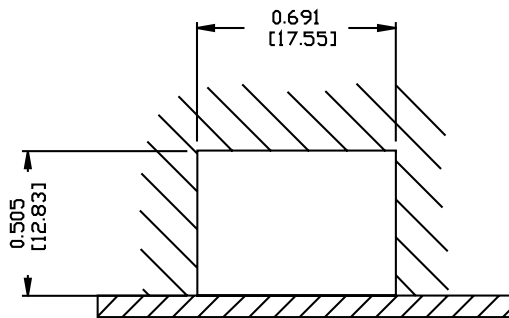


NOTES:

1. PLASTIC HOUSING: THERMOPLASTIC PBT  
FLAMMABILITY RATING UL 94V-0
  2. CONTACTS PLATING: 50 MICRO-INCH HARD GOLD PLATING
  3. PINS: TIN-COATED COPPER WIRE, DIA 0.018 INCH.
  4. SOLDERABILITY: PER MIL STD. 202, METHOD 208.
  5. METAL SHIELD: TIN/LEAD PLATED ON COPPER ALLOY.
- ☐ MARK PART WITH MFG LOGO, MFG NAME, PART NUMBER, AND DATE CODE.  
 RoHS COMPLIANCE, PER EU DIRECTIVE 2002/95/EC

**INTEGRATED CONNECTOR MODULES**  
**L811-1X1T-06-F 10/100Base-TX Single Port Low Profile MagJack®**

## SUGGESTED PANEL OPENING



## PACKING INFORMATION

PACKING TRAY : 0200-0148-06

PACKING QUANTITY : 70 PCS FINISHED GOODS PER TRAY

12 TRAY (840 PCS FINISHED GOODS) PER CARTON BOX

NOTE : CARDBOARDS ARE PLACED BETWEEN LAYERS OF PACKING TRAY INSIDE CARTON BOX  
(INCLUDE THE UPPERMOST AND LOWERMOST TRAY)