

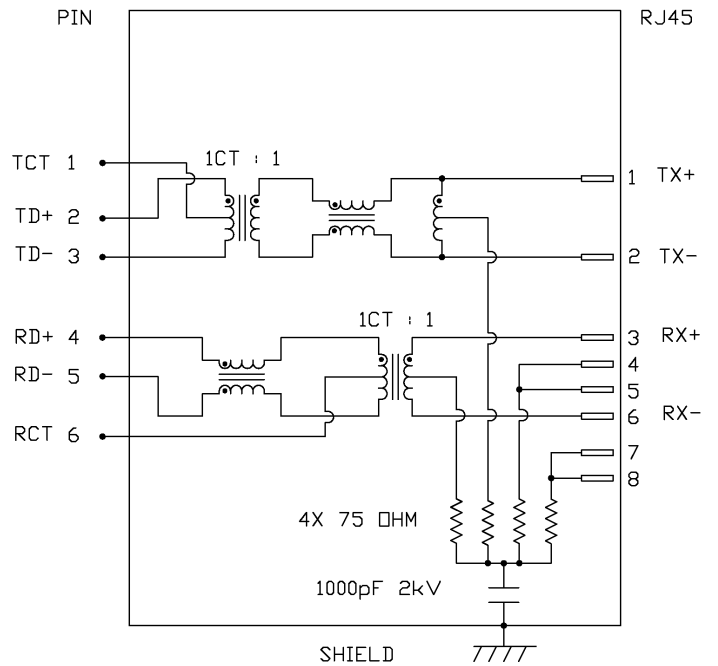
THE INFORMATION CONTAINED HEREIN IS CONSIDERED 'PROPRIETARY' TO BEL FUSE INC. AND SHALL NOT BE COPIED, REPRODUCED OR DISCLOSED WITHOUT THE WRITTEN APPROVAL OF BEL FUSE INC.



ELECTRICAL CHARACTERISTICS @ 25°C

<p> URNS RATIO TX 1CT : 1 RX 1CT : 1 OCL @ 100kHz/100mVRMS 8mA DC BIAS 350μH MIN. INS. LOSS 1MHz TO 100MHz -1.0 dB MAX RET. LOSS (MIN) 1MHz-30MHz -18 dB 30MHz-60MHz -18+20LOG(F/30MHz) dB 60MHz-80MHz -12 dB CROSS TALK (TX - RX) 500kHz-1MHz -70 dB MIN 10 MHz -50 dB MIN 30 MHz -45 dB MIN 50 MHz -40 dB MIN 100 MHz -35 dB MIN CM TO CM REJ 100kHz-1MHz -70 dB MIN 10 MHz -47 dB MIN 30 MHz -42 dB MIN 60 MHz -37 dB MIN 100 MHz -30 dB MIN CM TO DM REJ 100kHz-1MHz -70 dB MIN 10 MHz -60 dB MIN 30 MHz -50 dB MIN 60 MHz -45 dB MIN 100 MHz -40 dB MIN HIPDT (Isolation Voltage): 1500 Vrms </p>	
---	--

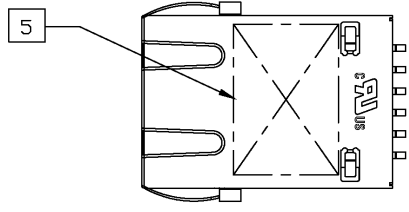
SCHEMATIC



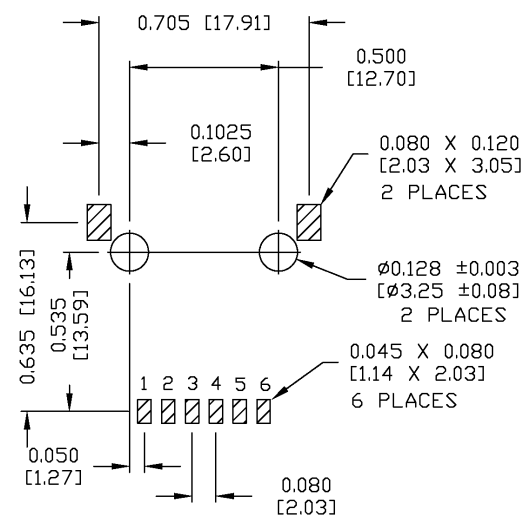
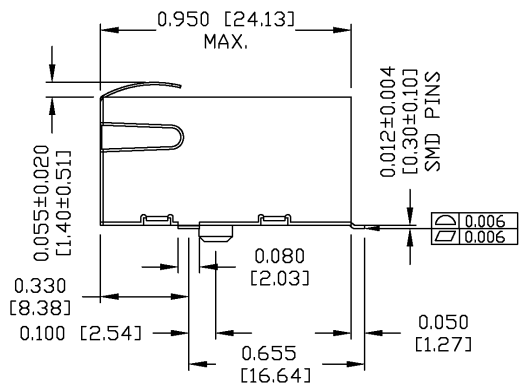
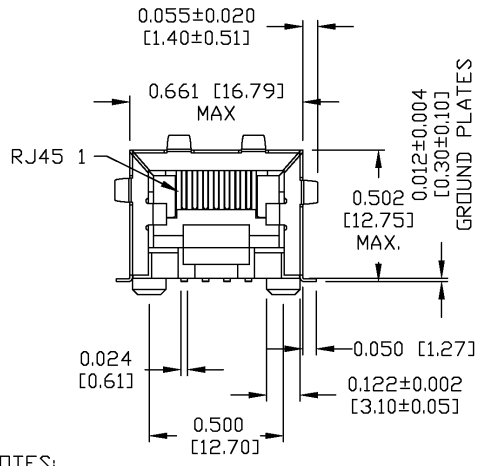
ORIGINATED BY CHUNG	DATE 11-25-05	TITLE SMD MagJack® (CM Termination) S811-1X1T-A4-F	PART NO. / DRAWING NO. S811X1TA4-F	STANDARD DIM. TOL. IN INCH .X .XX .XXX	[] METRIC DIM. AS REFERENCE UNIT : INCH [mm] SCALE : N/A	REV. : B SIZE : A4 PAGE : 2	 COMPONENTS ARE CONNECTED TO GROUND PLANE
DRAWN BY DE	DATE 11-25-05		FILE NAME S811X1TA4-FB.DWG				

DC002(2)032305 This document is electronically generated. This is a controlled copy if used internally

THE INFORMATION CONTAINED HEREIN IS CONSIDERED "PROPRIETARY" TO BEL FUSE INC. AND SHALL NOT BE COPIED, REPRODUCED OR DISCLOSED WITHOUT THE WRITTEN APPROVAL OF BEL FUSE INC.



RECOMMENDED PCB FOOTPRINT
COMPONENT SIDE VIEW



NOTES:

1. PLASTIC HOUSING: THERMOPLASTIC PA 4/6 & THERMOSET PHENOLIC. FLAMMABILITY RATING UL 94V-0
2. CONTACTS PLATING: 50 MICRO-INCH HARD GOLD PLATING
3. PINS: TIN-COATED COPPER WIRE, 0.024 [0.6] X 0.012 [0.3] THK,
4. METAL SHIELD: NICKEL PLATED COPPER ALLOY.
5. MARK PART WITH MFG. LOGO, MFG. NAME, PART NUMBER, AND DATE CODE.
RoHS COMPLIANT, PER EU DIRECTIVE 2002/95/EC.

UL RECOGNIZED - FILE #E196366 AND E169987.

ORIGINATED BY	DATE	TITLE	PART NO. / DRAWING NO.	STANDARD DIM. TOL. IN INCH	[] METRIC DIM. AS REFERENCE
QIN\KEUNG	11-25-05	SMD MagJack® (CM Termination)	S8111X1TA4-F	.X	UNIT : INCH [mm] REV. : B
DRAWN BY	DATE		FILE NAME	.XX	SCALE : N/A SIZE : A4
TING	11-25-05		S8111X1TA4-FB.DWG	.XXX ±0.010	PAGE : 3

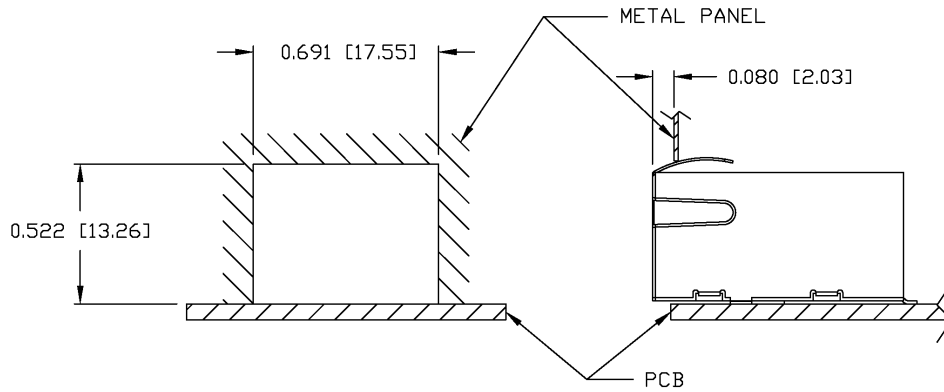


This document is electronically generated. This is a controlled copy if used internally

THE INFORMATION CONTAINED HEREIN IS CONSIDERED "PROPRIETARY" TO BEL FUSE INC. AND SHALL NOT BE COPIED, REPRODUCED OR DISCLOSED WITHOUT THE WRITTEN APPROVAL OF BEL FUSE INC.



SUGGESTED PANEL OPENING



NOTES:

THE DISTANCE OF PANEL INSIDE SURFACE RELATIVE TO FRONT SURFACE OF PART IS ONLY A SUGGESTION.

IN CASE THIS DISTANCE IS DIFFERENT, THE REQUIRED PANEL OPENING DIMENSIONS CHANGE ACCORDINGLY.

ORIGINATED BY	DATE	TITLE	PART NO. / DRAWING NO.	STANDARD DIM. TOL. IN INCH	[] METRIC DIM. AS REFERENCE	
QIN\KEUNG	11-25-05	SMD MagJack® (CM Termination) S811-1X1T-A4-F	S811X1TA4-F	.X	UNIT : INCH [mm]	REV. : B
DRAWN BY	DATE		FILE NAME	.XX	SCALE : N/A	SIZE : A4
TING	11-25-05		S811X1TA4-FB.DWG	.XXX ±0.004		PAGE : 4



DC002(2)032305 This document is electronically generated. This is a controlled copy if used internally