

THE INFORMATION CONTAINED HEREIN IS CONSIDERED 'PROPRIETARY' TO BEL FUSE INC. AND SHALL NOT BE COPIED, REPRODUCED OR DISCLOSED WITHOUT THE WRITTEN APPROVAL OF BEL FUSE INC.

LED1 POLARITY			LED2 POLARITY		
PIN 7	PIN 8	COLOR	PIN 9	PIN 10	COLOR
/	/	/	+	-	ORANGE
-	+	YELLOW	-	+	GREEN



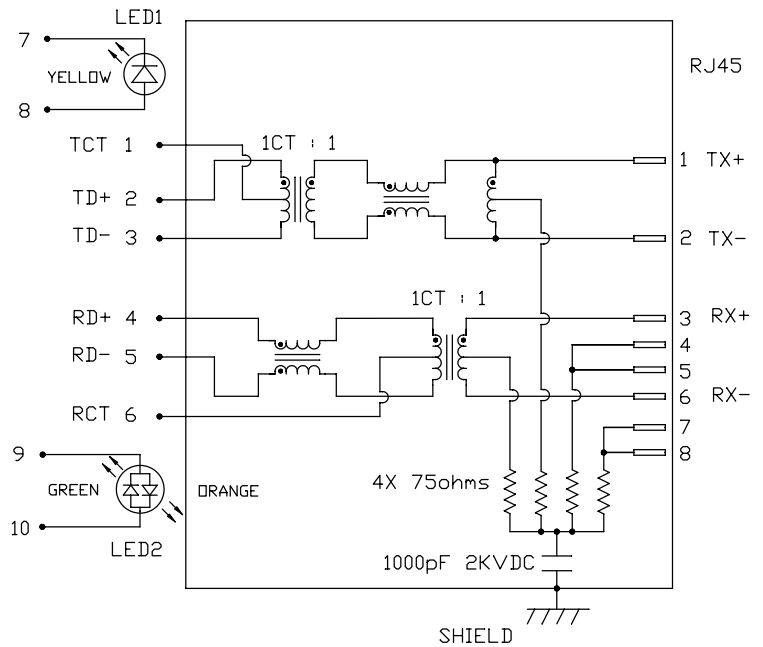
ELECTRICAL CHARACTERISTICS @ 25°C

URNS RATIO
 TX 1CT : 1
 RX 1CT : 1
OCL @ 100kHz/100mVRMS
 8mA DC BIAS 350µH MIN.
INS. LOSS
 1MHz TO 100MHz -1.0 dB MAX
RET. LOSS (MIN)
 1MHz-30MHz -18 dB
 30MHz-60MHz -18+20LOG(F/30MHz) dB
 60MHz-80MHz -12 dB
CROSS TALK (TX - RX)
 500kHz - 100 MHz -35 dB MIN
CM TO CM REJ
 100kHz - 100 MHz -30 dB MIN
CM TO DM REJ
 100kHz - 100 MHz -40 dB MIN
HIPDT (Isolation Voltage): 1500 Vrms

100% OF PRODUCTION TESTED TO COMPLY WITH IEEE 802.3 ISOLATION REQUIREMENTS.

LED 1
 VF (FORWARD VOLTAGE) IF=20mA YELLOW 2.1V TYP.
 λD (DOMINANT WAVELENGTH) IF=20mA YELLOW 590nm TYP.
LED 2
 VF (FORWARD VOLTAGE) IF=20mA GREEN 2.2V TYP.
 λD (DOMINANT WAVELENGTH) IF=20mA GREEN 565nm TYP.
 VF (FORWARD VOLTAGE) IF=20mA ORANGE 2.0V TYP.
 λD (DOMINANT WAVELENGTH) IF=20mA ORANGE 610nm TYP.

SCHEMATIC



ORIGINATED BY CHOW WANCHUNG	DATE 07-01-08	TITLE MagJack® (CM Termination) 08B0-1XX1-03-F	PART NO. / DRAWING NO. 08B01XX103-F	STANDARD DIM. TOL. IN INCH	<input type="checkbox"/> METRIC DIM. AS REFERENCE
DRAWN BY LI YONGFENG	DATE 07-01-08		FILE NAME 08B01XX103-F_B.DWG	.X .XX .XXX	UNIT : INCH [mm] SCALE : N/A REV. : B SIZE : A4 PAGE : 2



DC002(2)032305

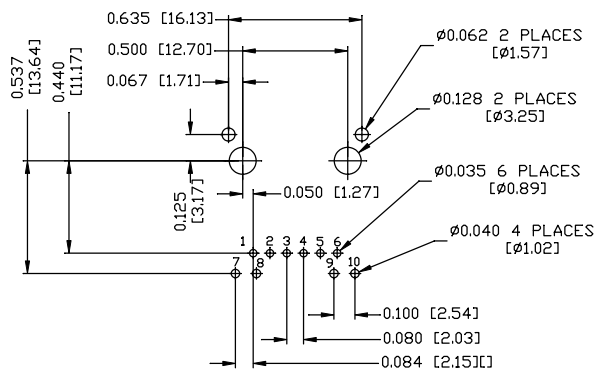
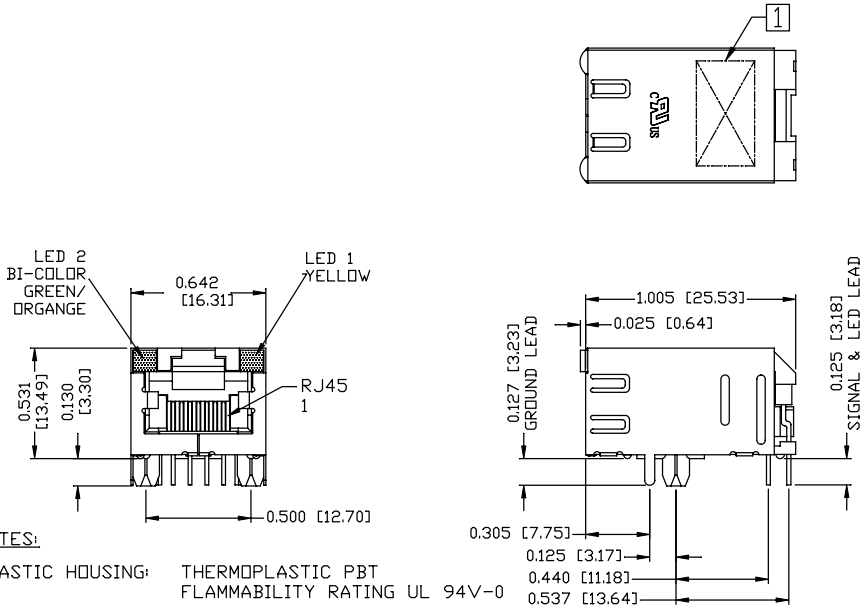
This document is electronically generated. This is a controlled copy if used internally

THE INFORMATION CONTAINED HEREIN IS CONSIDERED "PROPRIETARY" TO BEL FUSE INC. AND SHALL NOT BE COPIED, REPRODUCED OR DISCLOSED WITHOUT THE WRITTEN APPROVAL OF BEL FUSE INC.



MECHANICAL SPECIFICATION

RECOMMENDED PCB FOOTPRINT
COMPONENT SIDE VIEW



NOTES:

- PLASTIC HOUSING: THERMOPLASTIC PBT
FLAMMABILITY RATING UL 94V-0
- CONTACTS PLATING: 15 MICRO-INCH HARD GOLD PLATING
- PINS: TIN-COATED COPPER WIRE, DIA 0.018 INCH.
- METAL SHIELD: PRE-PLATED NICKEL ON COPPER ALLOY.
(ALL GROUND LEADS ARE SOLDER DIPPED)
- ☐ MARK PART WITH MFG LOGO, MFG NAME, PART NUMBER, AND DATE CODE.
- 2. RoHS COMPLIANCE, PER EU DIRECTIVE 2002/95/EC.
- c UL RECOGNIZED - FILE #E196366 AND E169987.
- JACK CAVITY CONFORMS TO FCC RULES AND REGULATIONS.

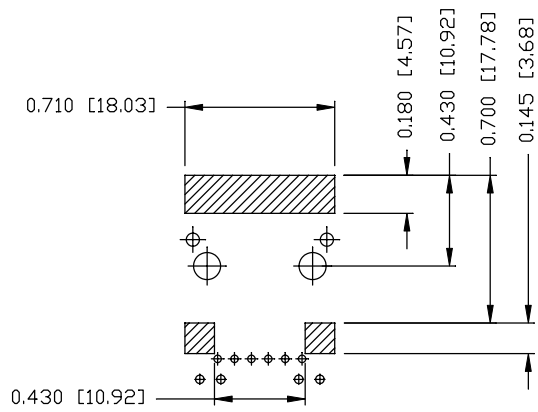
ORIGINATED BY CHEN BILL	DATE 07-01-08	TITLE MagJack® (CM Termination) 08B0-1XX1-03-F	PART NO. / DRAWING NO. 08B01XX103-F	STANDARD DIM. TOL. IN INCH .X .XX .XXX ±0.010	[] METRIC DIM. AS REFERENCE		
DRAWN BY LIU QIN	DATE 07-01-08		FILE NAME 08B01XX103-F_B.DWG		UNIT : INCH [mm]	REV. : B	
					SCALE : N/A		PAGE : 3

DC002(2)032305

This document is electronically generated. This is a controlled copy if used internally

THE INFORMATION CONTAINED HEREIN IS CONSIDERED PROPRIETARY TO BEL FUSE INC. AND SHALL NOT BE COPIED, REPRODUCED OR DISCLOSED WITHOUT THE WRITTEN APPROVAL OF BEL FUSE INC.

RoHS
2002/95/EC



NOTES:

THE SHADED AREA ON THE CUSTOMER BOARD ARE RECOMMENDED TO BE CLEAR OFF ANY VIA HOLE OR COMPONENT PAD.

ORIGINATED BY CHEN BILL	DATE 07-01-08	TITLE MagJack® (CM Termination) 08B0-1XX1-03-F	PART NO. / DRAWING NO. 08B01XX103-F		STANDARD DIM. TOL. IN INCH		[] METRIC DIM. AS REFERENCE		 COMPONENTS OF A CONTROLLED PLANT
			FILE NAME 08B01XX103-F_B.DWG		.X		UNIT : INCH [mm]	REV. : B	
DRAWN BY LIU QIN	DATE 07-01-08				.XX		SCALE : N/A	SIZE : A4	
					.XXX	±0.004		PAGE : 4	

DC002(2)032305

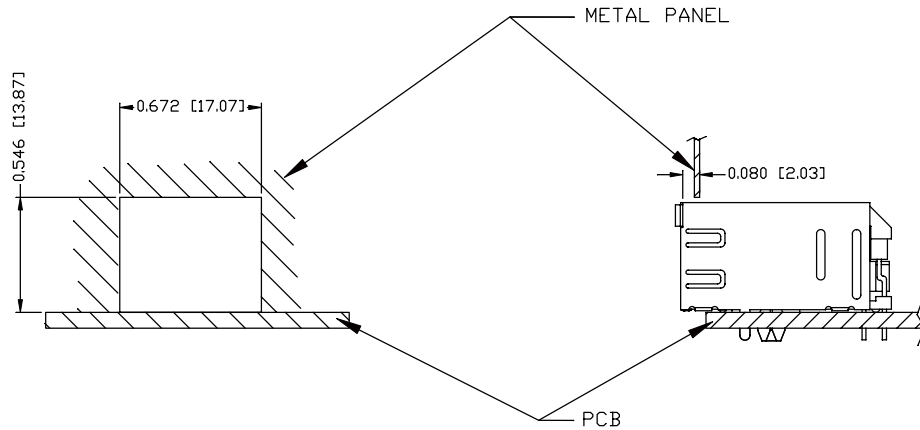
This document is electronically generated. This is a controlled copy if used internally

THE INFORMATION CONTAINED HEREIN IS CONSIDERED PROPRIETARY TO BEL FUSE INC. AND SHALL NOT BE COPIED, REPRODUCED OR DISCLOSED WITHOUT THE WRITTEN APPROVAL OF BEL FUSE INC.

RoHS
2002/95/EC



SUGGESTED PANEL OPENING



NOTE:

THE DISTANCE OF PANEL INSIDE SURFACE RELATIVE TO FRONT SURFACE OF PART IS ONLY A SUGGESTION. IN CASE THIS DISTANCE IS DIFFERENT, THE REQUIRED PANEL OPENING DIMENSIONS CHANGE ACCORDINGLY.

PACKING INFORMATION

PACKING TUBE : 0200-0149-01

PACKING QUANTITY : 30 PCS FINISHED GOODS PER TUBE
20 TUBES (600 PCS FINISHED GOODS) PER CARTON BOX

ORIGINATED BY	DATE	TITLE	PART NO. / DRAWING NO.	STANDARD DIM.	[] METRIC DIM. AS REFERENCE
CHEN BILL	07-01-08	MagJack® (CM Termination) 08B0-1XX1-03-F	08B01XX103-F	TOL. IN INCH	UNIT : INCH [mm] REV. : B
DRAWN BY	DATE		FILE NAME	.X	SCALE : N/A SIZE : A4
LIU QIN	07-01-08	08B01XX103-F_B.DWG	.XX	.XXX ±0.004	PAGE : 5



DC002(2)032305

This document is electronically generated. This is a controlled copy if used internally