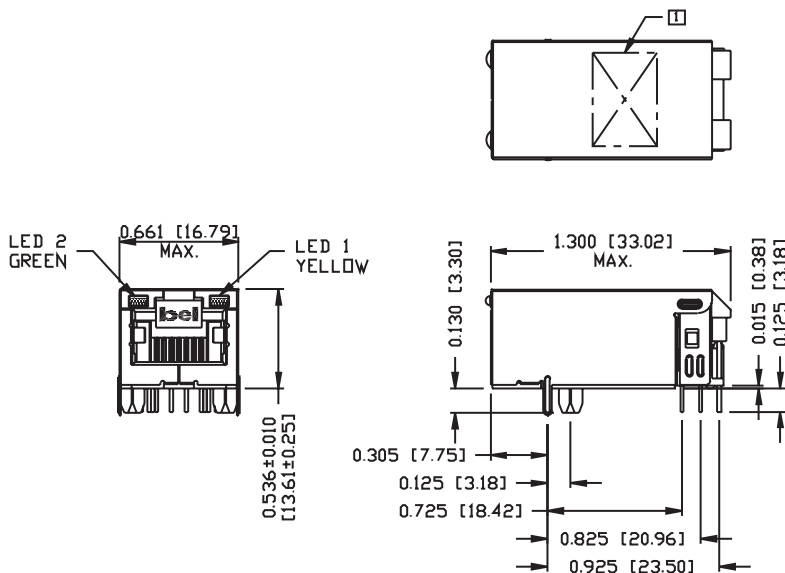




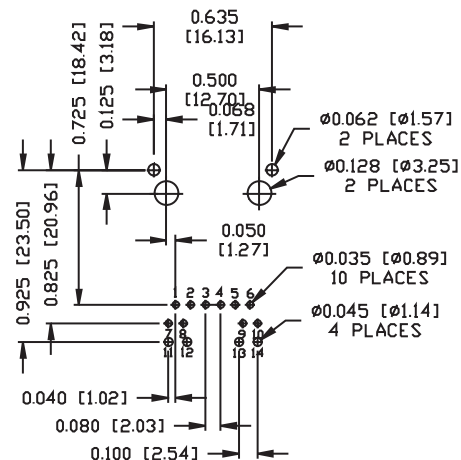
**INTEGRATED CONNECTOR MODULES**  
**0826-1AX1-47-F 10/100Base-TX Single Port MagJack® with LEDs**



MECHANICAL SPECIFICATION



RECOMMENDED PCB FOOTPRINT  
 COMPONENT SIDE VIEW

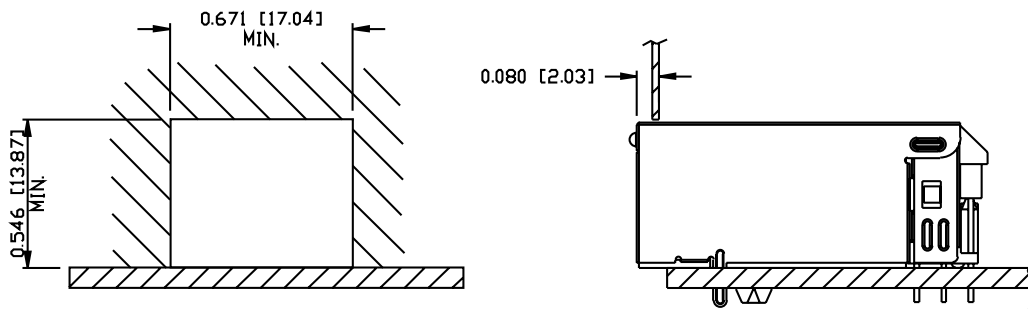


- NOTES:
- PLASTIC HOUSING: THERMOPLASTIC PA 4/6  
 FLAMMABILITY RATING UL 94V-0
  - CONTACTS: 50 MICRO-INCH HARD GOLD PLATING
  - OUTPUT PINS: TIN-COATED COPPER WIRE, DIA 0.018 INCH.
  - SOLDERABILITY: PER MIL STD. 202, METHOD 208.
  - METAL SHIELD: TIN/LEAD PLATED ON COPPER ALLOY.
  - 1. MARK PART WITH MFG LOGO, MFG NAME, PART NUMBER, AND DATE CODE.
- RoHS COMPLIANCE, PER EU DIRECTIVE 2002/95/EC

**INTEGRATED CONNECTOR MODULES**  
**0826-1AX1-47-F 10/100Base-TX Single Port MagJack® with LEDs**



SUGGESTED PANEL OPENING



PACKING INFORMATION

PACKING TRAY : 0200-0148-24 (TOP)  
 0200-0148-25 (BOTTOM)

PACKING QUANTITY : 40 PCS FINISHED GOODS PER TRAY  
 10 TRAY (400 PCS FINISHED GOODS) PER CARTON BOX

NOTE : CARDBOARDS ARE PLACED BETWEEN LAYERS OF PACKING TRAY INSIDE CARTON BOX  
 (INCLUDE THE UPPERMOST AND LOWERMOST TRAY)